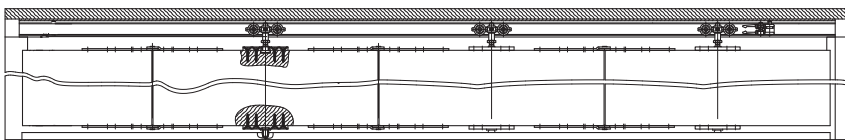
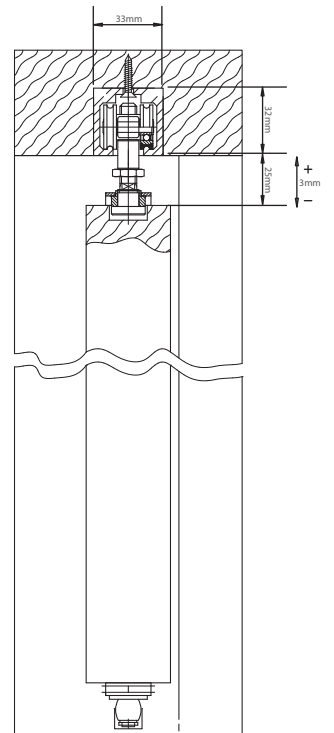
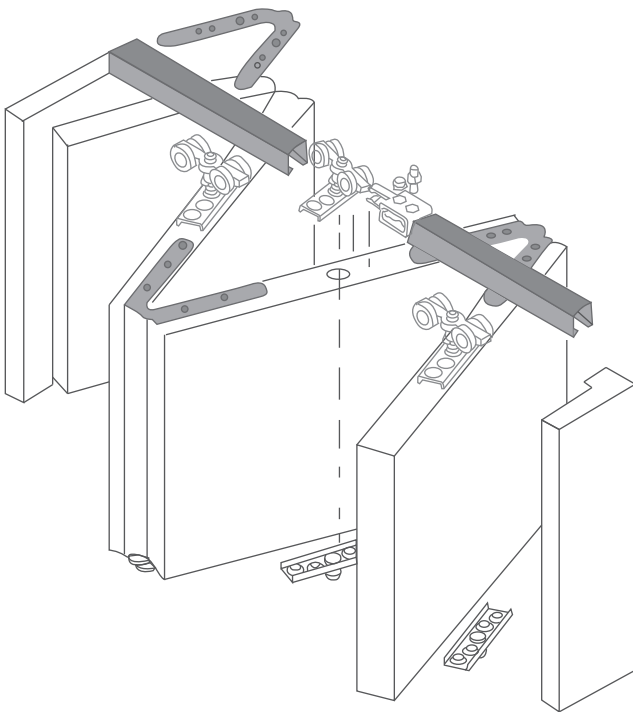


PRODUCT
TECHNICAL

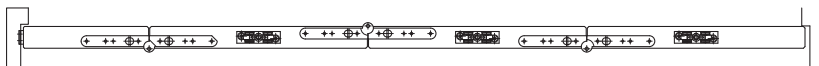
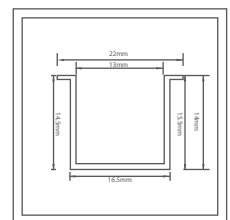
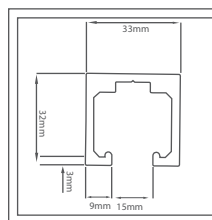
System 480/50

Universal Sliding Folding Fitting Center



Top
Track Dimension

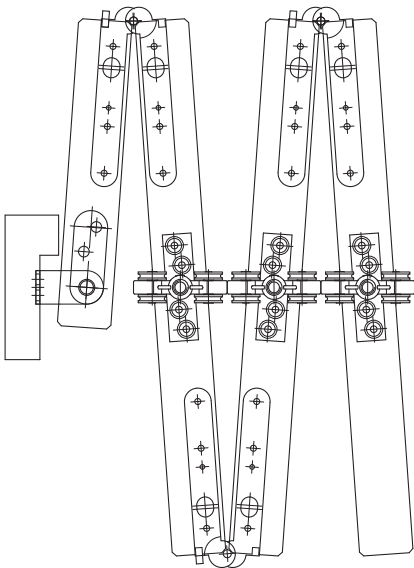
Bottom
Track Dimension



PRODUCT
TECHNICAL

System 480/50

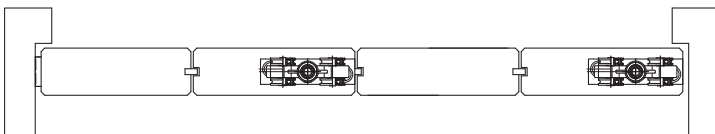
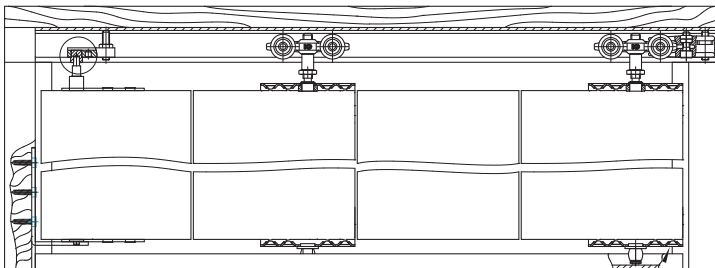
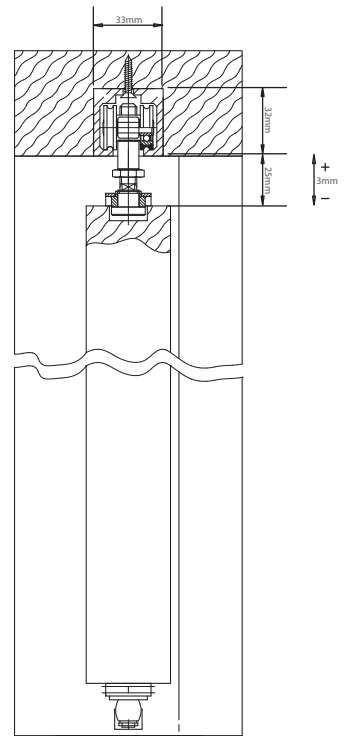
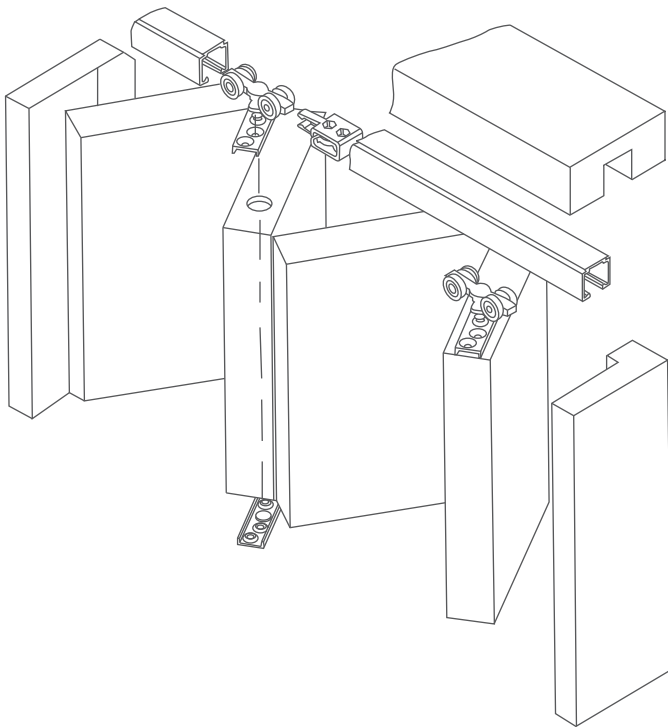
Universal Sliding Folding Fitting Center



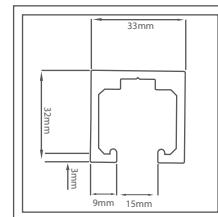
PRODUCT
TECHNICAL

System 480/50

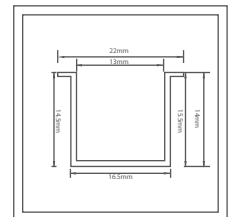
Universal Sliding Folding Fitting Side



Top
Track Dimension



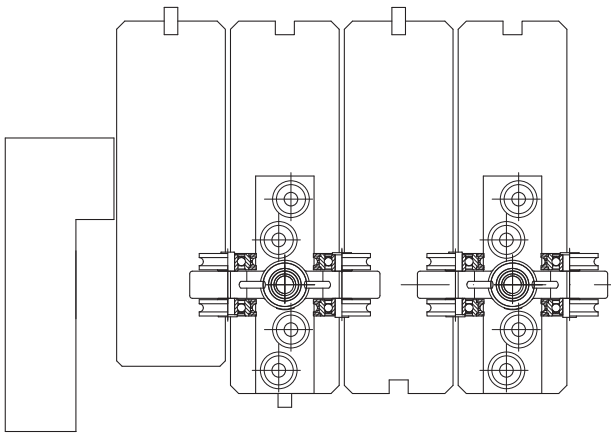
Bottom
Track Dimension



PRODUCT
TECHNICAL

System 480/50

Universal Sliding Folding Fitting Side



- indicates hinge position
- ⊙ indicates roller position

2 door



3 door



4 door



5 door



6 door



2 + 1 door



3 + 1 door



3 + 2 door



(you can use one side odd and one side even door like 5 door + 2 door)

3 + 3 door



(or you can use both side odd door like 5 + 5 door)