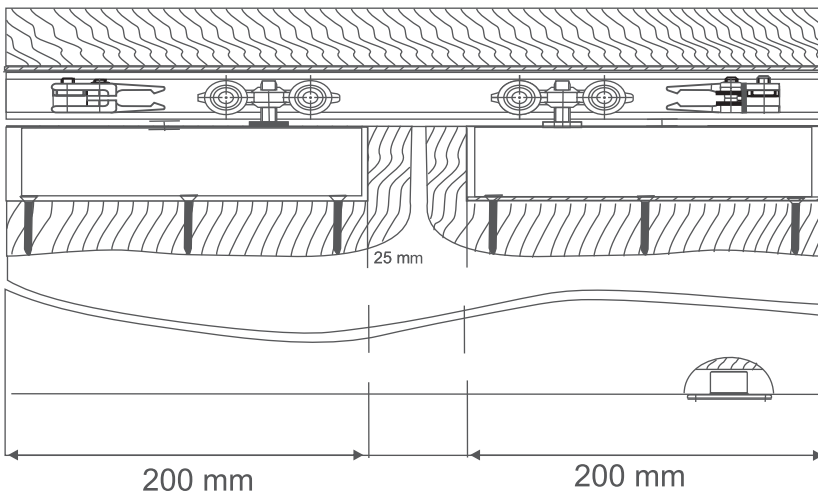
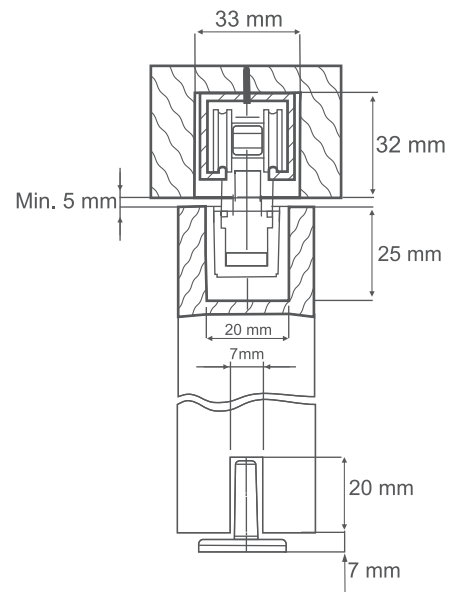
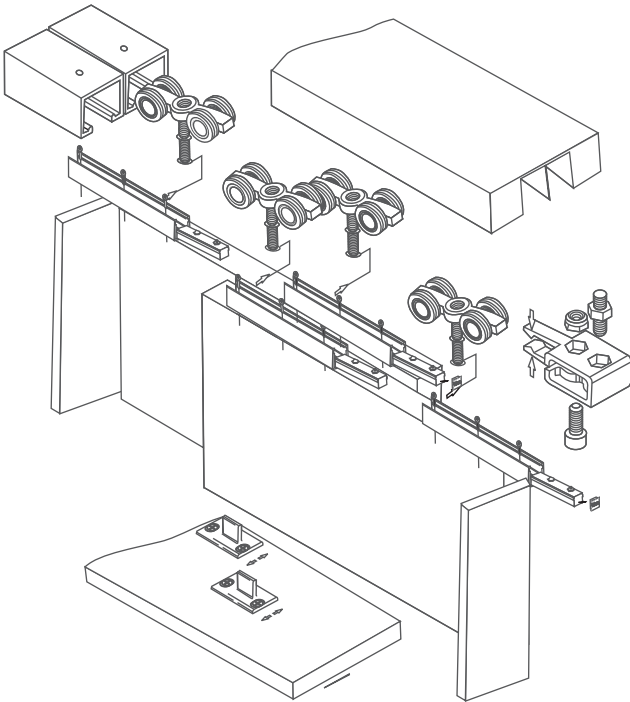


PRODUCT
TECHNICAL

System 750/100

Wardrobe Sliding Fitting Flush Type For 2 Door



Upper
Track Dimension

