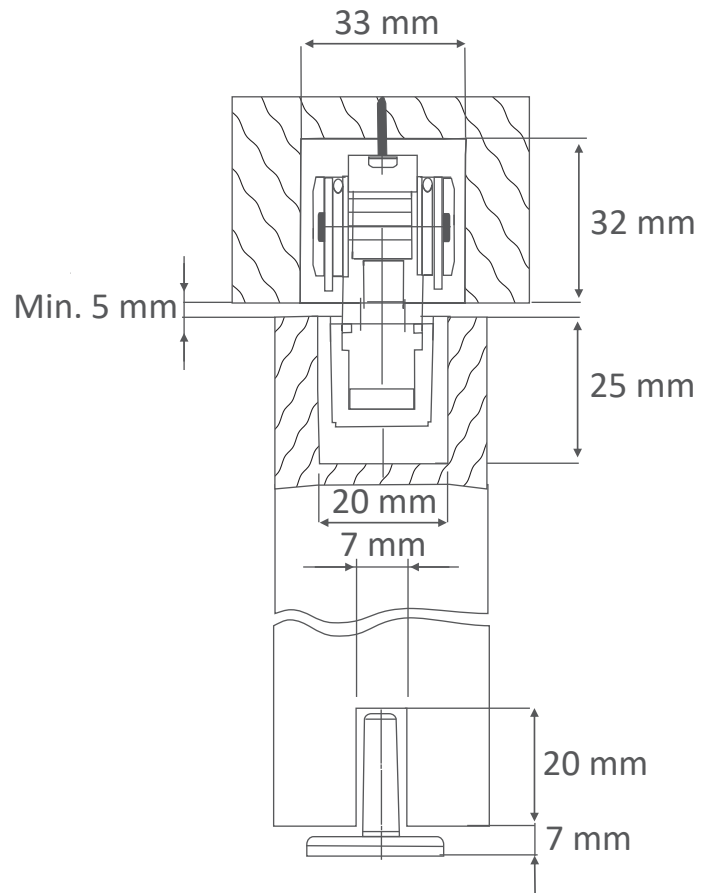
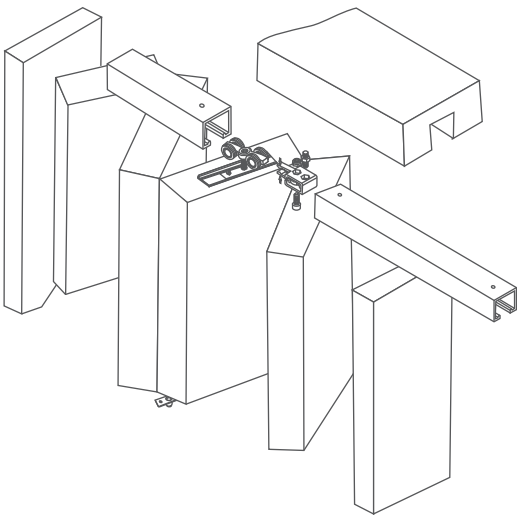


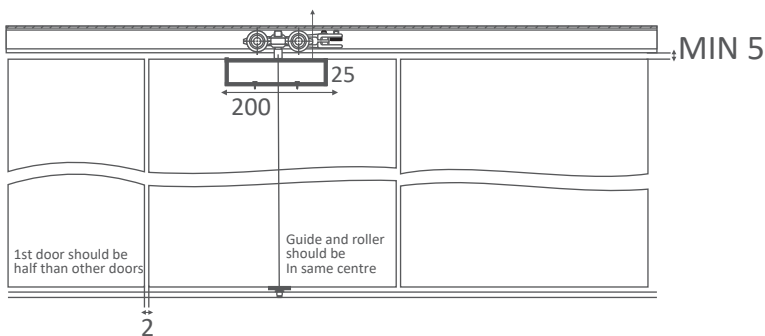
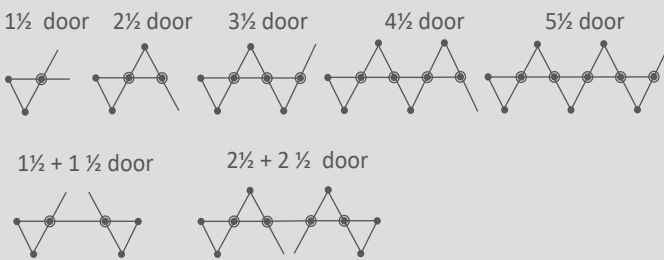
PRODUCT
TECHNICAL

System 770/50 (Center)

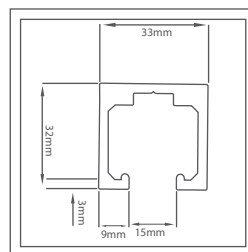
Wooden Flush Sliding Folding Fitting (Center)



- indicates hinge position
- indicates roller position



Top Track Dimension



Bottom Track Dimension

