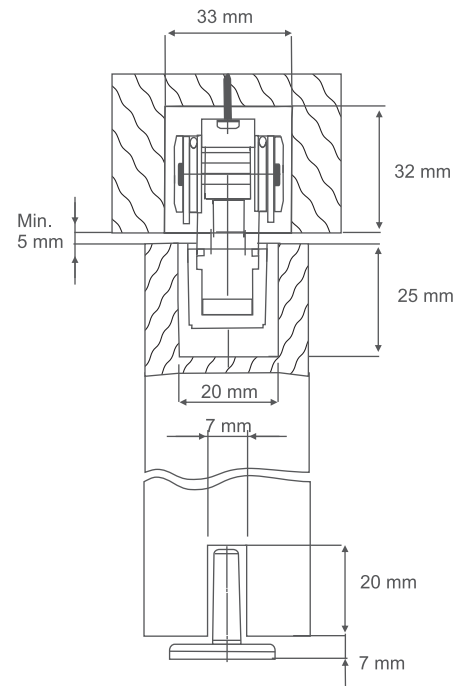
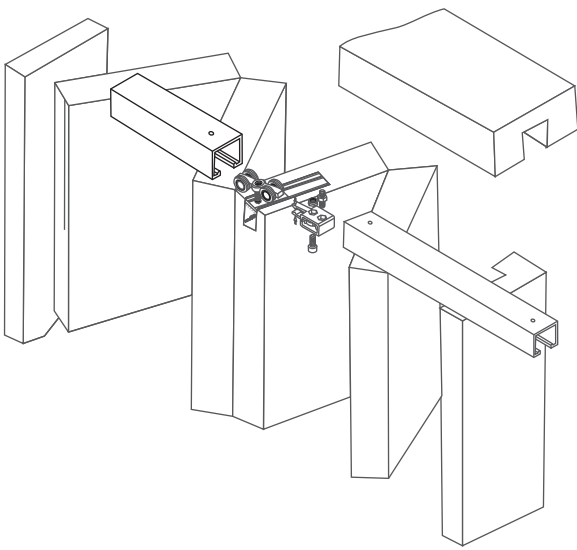


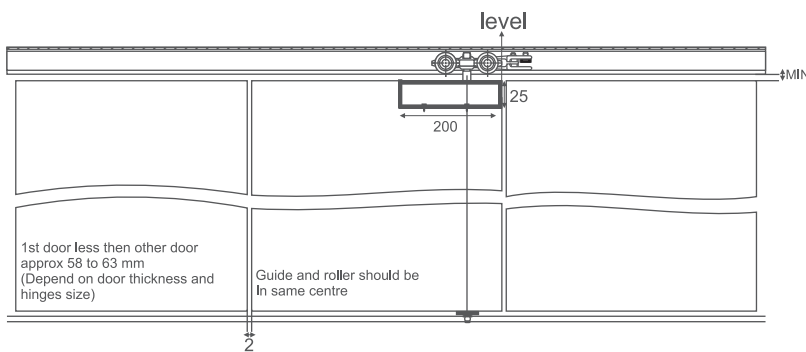
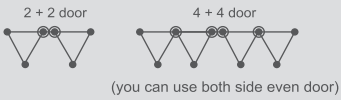
PRODUCT
TECHNICAL

System 780/50

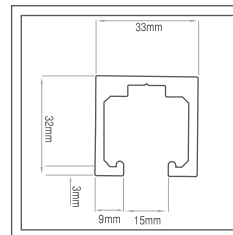
Wooden Flush Sliding Folding Fitting (Side)



- indicates hinge position
- ◎ indicates roller position



Upper
Track Dimension



Bottom
Track Dimension

