

tataria
driven by innovation



LUXURY LIVING

2020
VOL. 3.0

www.tataria.in

About us

TATARIA is committed to trend new paths with the Promise of Perfection, Innovation and Reliability !!! Since its foundation in 1997, **Tataria Group** has been creating values in customer's lives by delivering products with superior functionality. With 20+ years of propelling experience, we have created our own benchmarks with the ideal blend of innovation & experience making us one of the leading brands in hardware industry today. We offer complete range of Kitchen, Furniture and Architectural Hardware Products. Our products encompasses Quality, Flair, Functionality, and Longevity. We have partnered with reputed European Brands and also set up state-of-the-art manufacturing unit to fulfill the market demands. We pride ourselves in our ability to meet our customer's needs for the right product at the right price.

Vision & Mission

It's our aim to make our products cost effective and readily available anywhere in India. **Tataria's** are totally committed to quality hardware products, and our criterion always puts quality and value for money to the fore to please every customer.

Network & Infrastructure

Tataria Group have a strong distribution network across India including dealers, distributors and company owned display cum training Centre. The display centre showcase all product ranges under one roof & offers technical know-how of product application and usage. The majority of products are stocked in our branch network to meet your immediate needs. We have a modern office and factory setup with highly skilled and experienced staff to handle the daily affairs backed up with latest IT infrastructure.

Product Range

Greater Functionality, Technical Excellence and Affordable Price. We are proud to offer products that are functional and practical, yet boast elegant, beautiful designs. We have a wide and comprehensive range of over **1000** products all of which meet modern standards of functionality and durability.

We have state-of-the-art manufacturing unit located in Halol, Vadodara, Gujarat. It is equipped with the sophisticated machines, advanced tools and high-end technology to meet the needs of any order size or specifications. We undertake OEM jobs for bulk quantity orders. Our range undoubtedly continuous to expand, accommodating new innovations and finishes. Our Products Range is comprehensive and caters for a vast range of applications. New products are constantly being added to our ranges so keep an eye on our website, or feel free to contact us.

Our Associates :



I N D E X

Glix Acqua Wardrobe - Page 001
Glix Murano Wardrobe - Page 005
Glix Glass Door - Page 018
Glix Wood Door - Page 025
Universal Profile & Invisible Hinge - Page 031
Tetrix Structural For Walk In Closet - Page 040
Walk In Closet - Page 043
Evert Walk In Closet - Page 054
Offset Sliding System - Page 057
Online Coplanar Sliding System - Page 062
Afil Coplanar Sliding System - Page 072
Tetrix Structural For Sliding System - Page 077
Wardrobe Profile - Page 080
Simply Wardrobe Profile - Page 082
Handle Profile - Page 087
Lumix Shelf - Page 090
Wardrobe Accessorie - Page 094
Mix Box 100mm - Page 097
Bela Post Collection - Page 100
Wardrobe Lift Down - Page 104
Wardrobe Panel Straightener - Page 107
Flap Down Stay - Page 112
Moving Wall - Page 114
Camar Wall Hainging & Leveler - Page 118



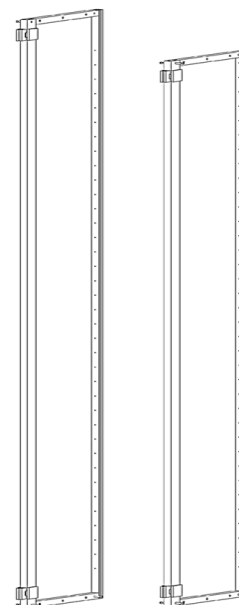
**Glix Acqua
Wardrobe**

Tetrix Structural Side Profile

CODE	DESCRIPTION	FINISH	SIZE (mm)
TA-3601.26.L	Left	Brown Metal Grey	2617 x 578
TA-3601.24.L	Left	Brown Metal Grey	2425 x 578

CODE	DESCRIPTION	FINISH	SIZE (mm)
TA-3602.26.R	Right	Brown Metal Grey	2617 x 578
TA-3602.24.R	Right	Brown Metal Grey	2425 x 578

CODE	DESCRIPTION	FINISH	SIZE (mm)
TA-3603.26.C	Central	Brown Metal Grey	2617 x 578
TA-3603.24.C	Central	Brown Metal Grey	2425 x 578



Flexi LED Light

CODE	DESCRIPTION	FINISH	SIZE (mm)
TA-3610		Warm White	2700




Transformer And Cable For Flexi LED Light

CODE	DESCRIPTION	FINISH	SIZE (mm)
TA-3611	Transformer with cable		





Set Of Connecting Fittings & Leveller


CODE	DESCRIPTION
TA-3609	Set of connecting fittings for hinged door wardrobe and open wardrobe

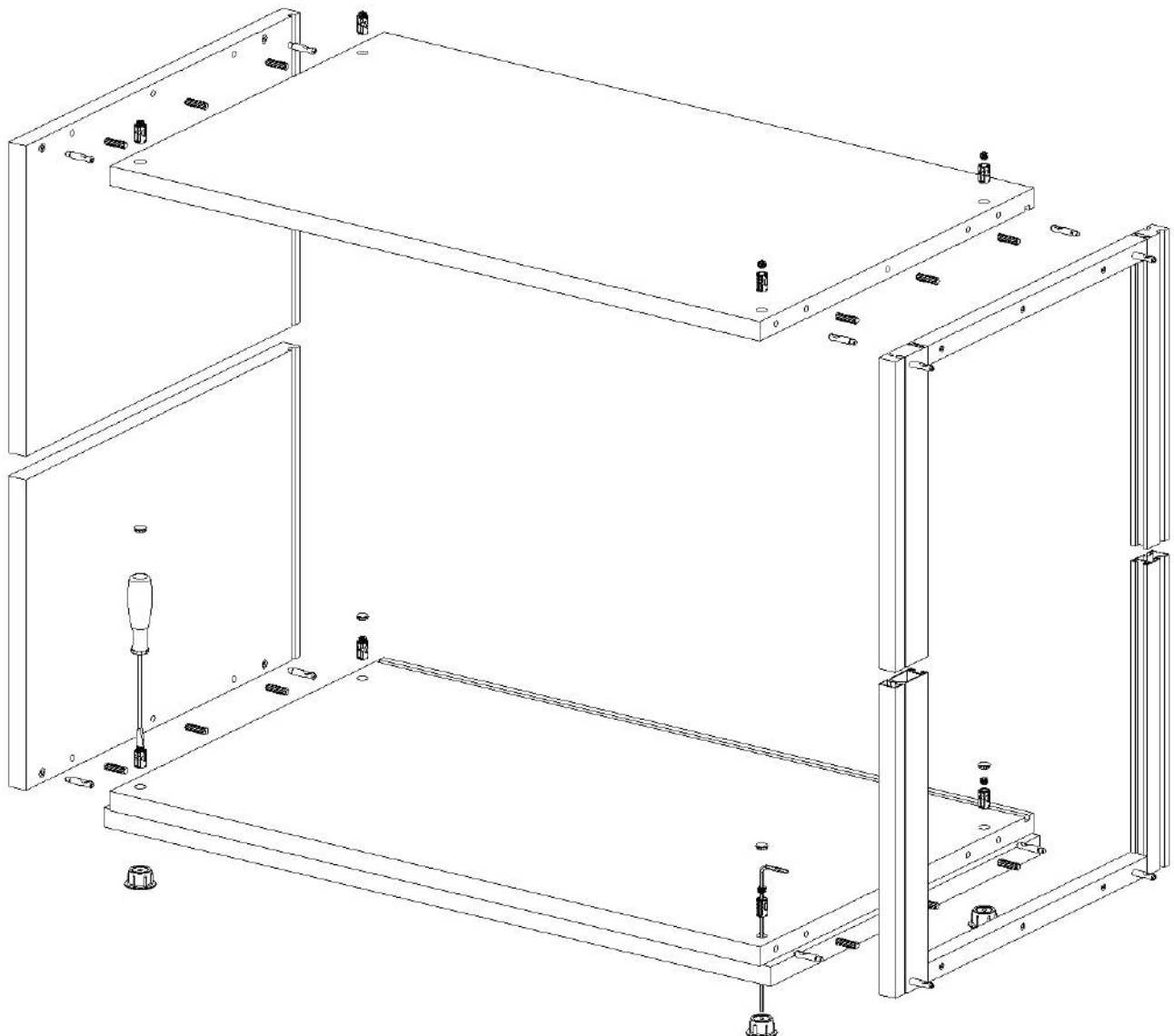
 METAL COVER CUP
8 pcs Nickel plated
8 pcs Bronze plated

 BOLT INT. 21 THREAD M6
8 pcs

 ALLEN KEY 4 SIZE 40X140
1 pcs

 BARREL NUT WITH
CONIC SCREW
8 sets

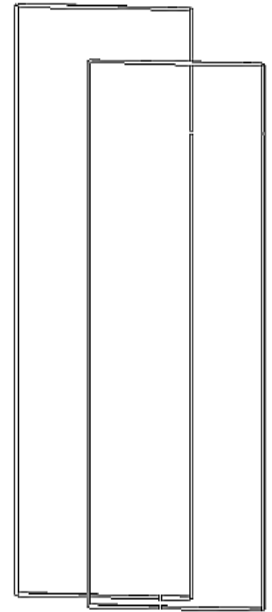
 ADJUSTABLE LEVELER
4 pcs



Profile For Glass Back Panel For Hinged Wardrobe

CODE	DESCRIPTION	FINISH	SIZE (mm)
TA-3604.96.26	Module 960	Brown Metal Grey	2566.5 x 959.5
TA-3604.96.24	Module 960	Brown Metal Grey	2374.5 x 959.5

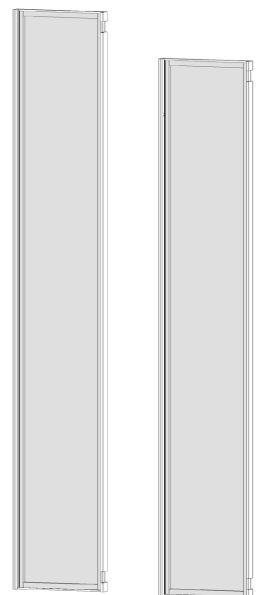
CODE	DESCRIPTION	FINISH	SIZE (mm)
TA-3604.66.26	Module 660	Brown Metal Grey	2566.5 x 959.5
TA-3604.66.24	Module 660	Brown Metal Grey	2374.5 x 959.5



Glix Door

CODE	DESCRIPTION	FINISH	SIZE (mm)
TA-3606.96.26	Module 960	Brown Metal Grey	2615 x 488
TA-3606.96.24	Module 960	Brown Metal Grey	2423 x 488

CODE	DESCRIPTION	FINISH	SIZE (mm)
TA-3606.66.26	Module 660	Brown Metal Grey	2615 x 388
TA-3606.66.24	Module 660	Brown Metal Grey	2423 x 388





**Glix Murano
Wardrobe**

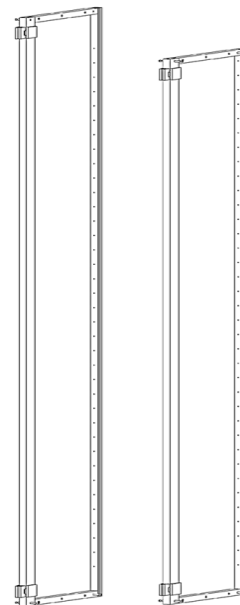


Tetrix Structural Side Profile

CODE	DESCRIPTION	FINISH	SIZE (mm)
TA-3601.26.L	Left	Brown Metal Grey	2617 x 578
TA-3601.24.L	Left	Brown Metal Grey	2425 x 578

CODE	DESCRIPTION	FINISH	SIZE (mm)
TA-3602.26.R	Right	Brown Metal Grey	2617 x 578
TA-3602.24.R	Right	Brown Metal Grey	2425 x 578

CODE	DESCRIPTION	FINISH	SIZE (mm)
TA-3603.26.C	Central	Brown Metal Grey	2617 x 578
TA-3603.24.C	Central	Brown Metal Grey	2425 x 578



Flexi LED Light

CODE	DESCRIPTION	FINISH	SIZE (mm)
TA-3610		Warm White	2700




Transformer And Cable For Flexi LED Light

CODE	DESCRIPTION	FINISH	SIZE (mm)
TA-3611	Transformer with cable		





Set Of Connecting Fittings & Leveller


CODE	DESCRIPTION
TA-3609	Set of connecting fittings for hinged door wardrobe and open wardrobe

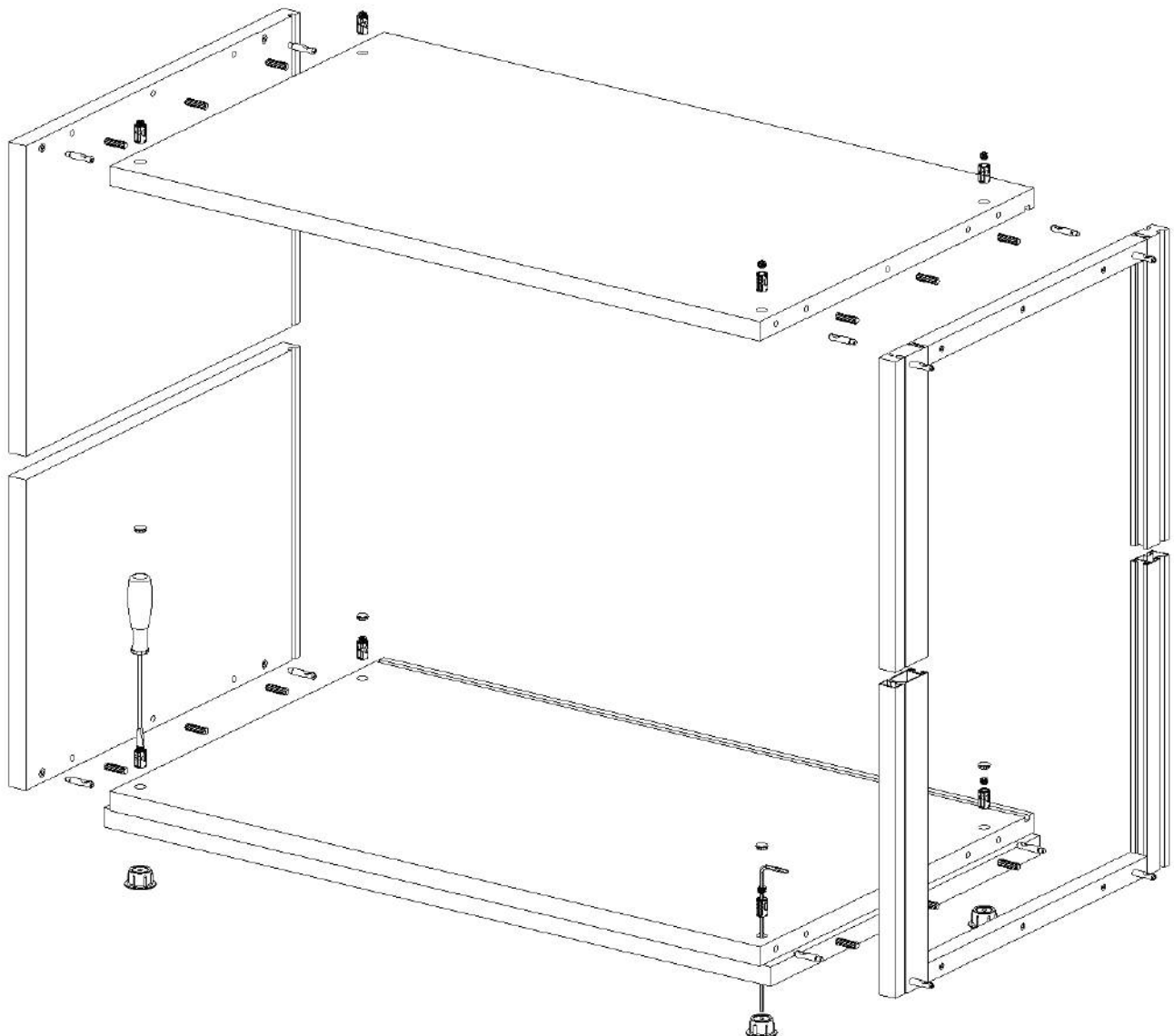
 METAL COVER CUP
8 pcs Nickel plated
8 pcs Bronze plated

 BOLT INT. 21 THREAD M6
8 pcs

 ALLEN KEY 4 SIZE 40X140
1 pcs

 BARREL NUT WITH
CONIC SCREW
8 sets

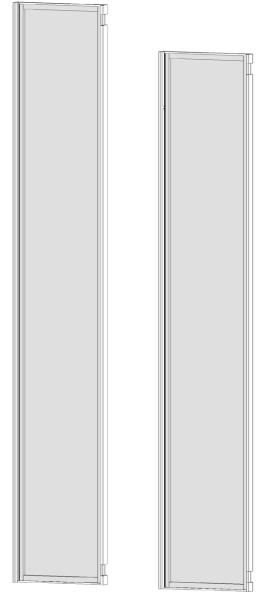
 ADJUSTABLE LEVELER
4 pcs



Glix Door

CODE	DESCRIPTION	FINISH	SIZE (mm)
TA-3606.96.26	Module 960	Brown Metal Grey	2615 x 488
TA-3606.96.24	Module 960	Brown Metal Grey	2423 x 488

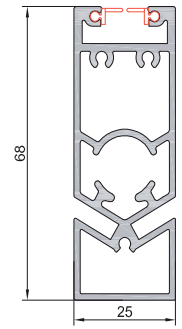
CODE	DESCRIPTION	FINISH	SIZE (mm)
TA-3606.66.26	Module 660	Brown Metal Grey	2615 x 388
TA-3606.66.24	Module 660	Brown Metal Grey	2423 x 388



Tetrix Structural Components

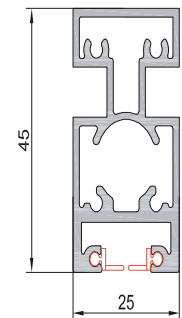
Aluminium Front Profile

CODE	DESCRIPTION	FINISH	SIZE (mm)
TA-3701	Front Profile	Brown Metal Grey	2650



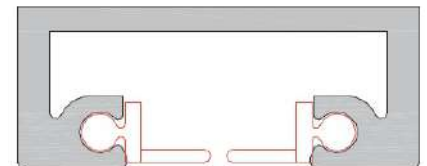
Aluminium Back Profile

CODE	DESCRIPTION	FINISH	SIZE (mm)
TA-3702	Back Profile	Brown Metal Grey	2650



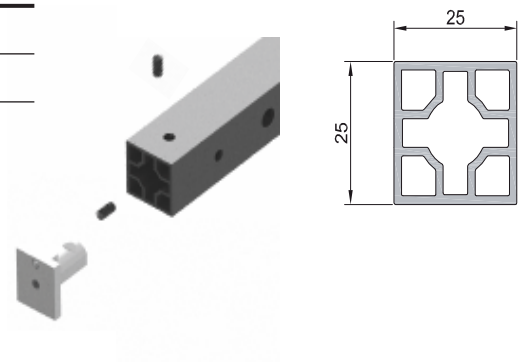
Gasket For Tetrax Vertical Profile

CODE	DESCRIPTION	FINISH	SIZE (mm)
TA-3703	Rubber Gasket	Dark Grey	3000



Upper & Lower Horizontal Profile

CODE	DESCRIPTION	FINISH	SIZE (mm)
TA-3704	Horizontal Profile	Brown Metal Grey	3000



Connector For Upper & Lower Horizontal Profile

CODE	DESCRIPTION	FINISH	SIZE (mm)
TA-3705	Connector	Zinc	



Intermediate Horizontal Profile

CODE	DESCRIPTION	FINISH	SIZE (mm)
TA-3706	Intermediate Profile	Brown Metal Grey	3000



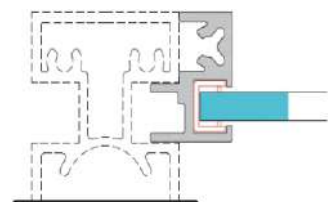
Connector For Intermediate Horizontal Profile

CODE	DESCRIPTION	FINISH	SIZE (mm)
TA-3707	Connector	Brown	



Aluminium Profile For Glass Back Panel

CODE	DESCRIPTION	FINISH	SIZE (mm)
TA-3708	Profile For Glass Back Panel	Brown Metal Grey	3000



Seal For Glass Thickness 4mm

CODE	DESCRIPTION	FINISH	SIZE (mm)
TA-2508	Seal For Glass	Transparent	2600



Flexi LED Light

CODE	DESCRIPTION	FINISH	SIZE (mm)
TA-3610		Warm White	2700



Transformer And Cable For Flexi LED Light

CODE	DESCRIPTION	FINISH	SIZE (mm)
TA-3611	Transformer with cable		



Set Of Connecting Fittings & Leveller

CODE	DESCRIPTION	FINISH	SIZE (mm)
TA-3609	Connector & Leveller		

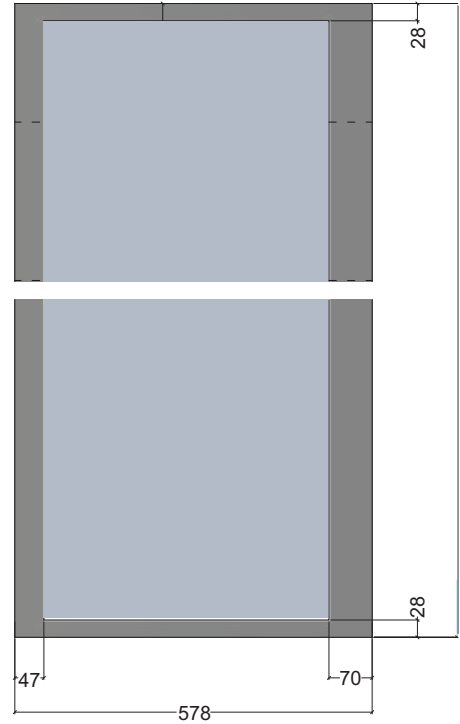


Technical Instruction:

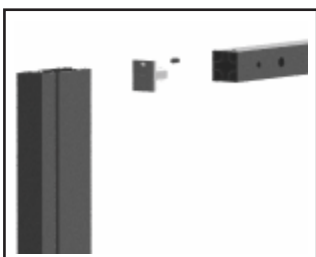


GLASS FOR SIDE FRAME DIMENSION -
GLASS MUST BE GLUED ON PROFILE:

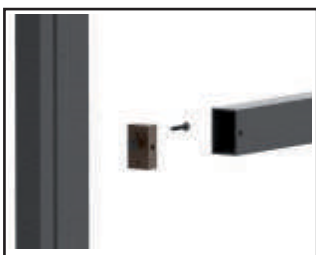
- Frame Height Minus 2mm
- Frame Depth Minus 0mm
- Glass Thickness 4mm
- Glass Must Be Painted On The Back Side



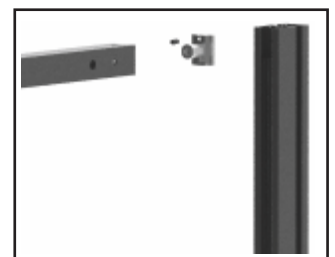
INSTALLATION EXAMPLE



how to fix the upper and lower horizontal profile on the front vertical profile



how to fix the intermediate horizontal profiles on the front vertical profile

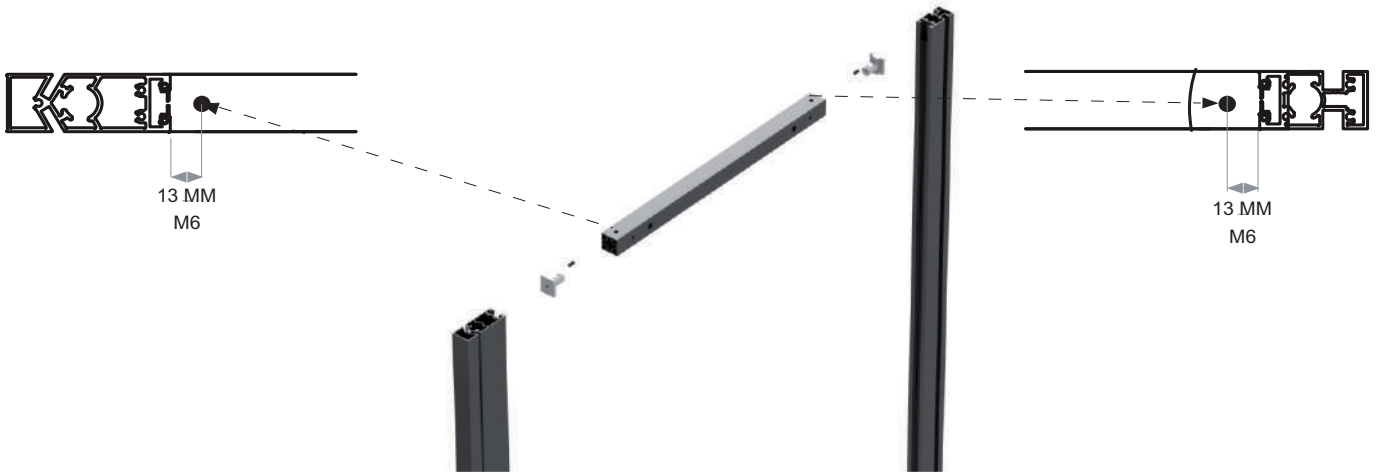


how to fix the upper and lower horizontal profile on the back vertical profile

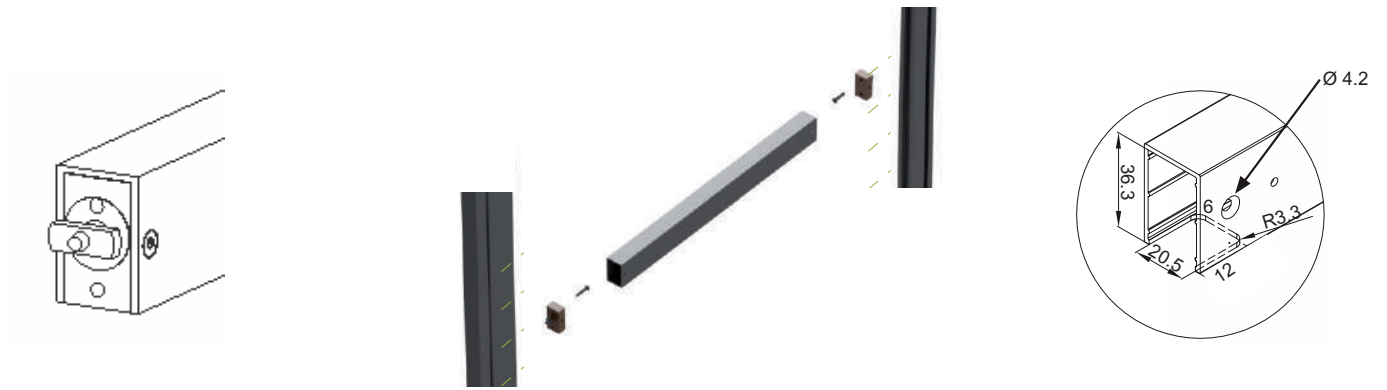


how to fix the intermediate horizontal profiles on the back vertical profile

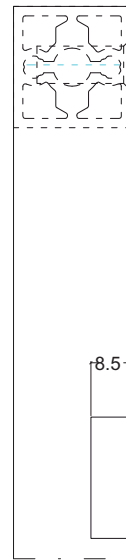
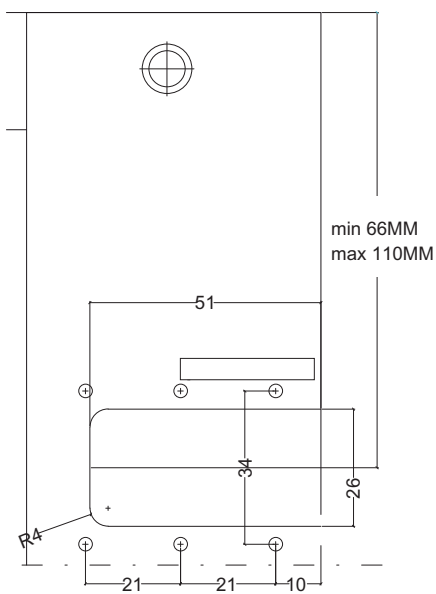
Upper & Lower Horizontal Profile



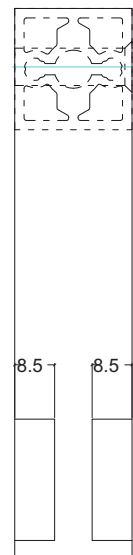
Intermediate Horizontal Profile



Milling For Glix Hinges



Left or Right Side Profile

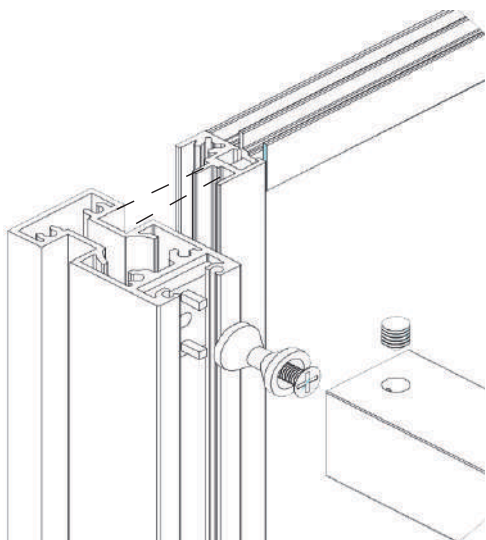


Central Side Profile

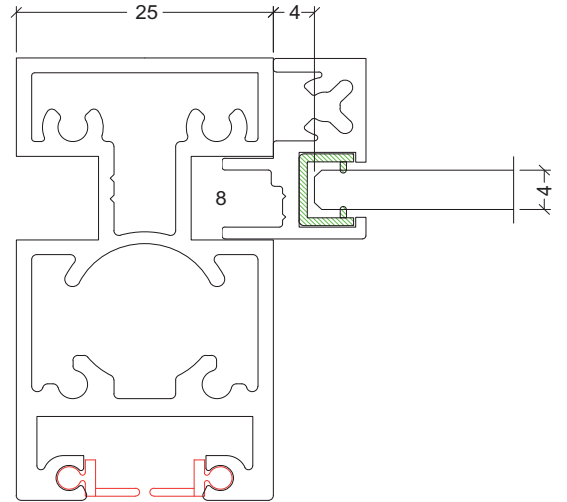
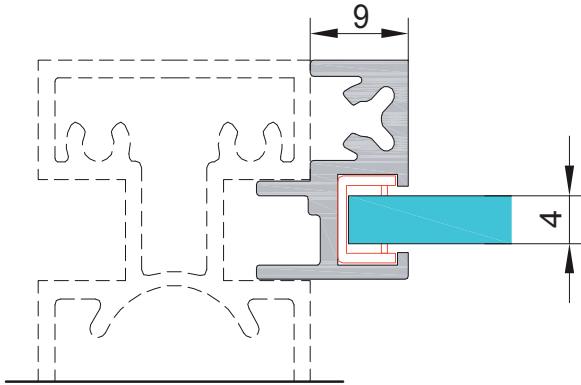
Profile For Glass Back Panel



Assembling Of Back Profile For Glass Panel

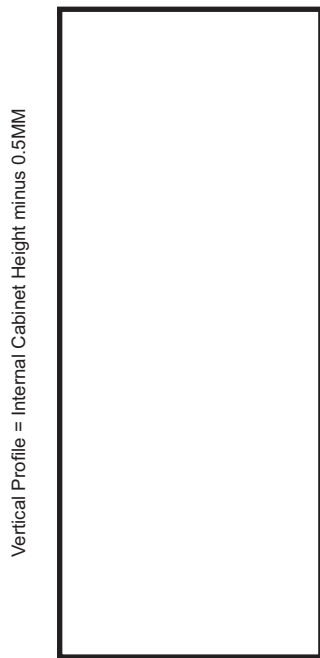


Profile For Glass Back Panel



FRAME FOR BACK PANEL DIMENSION

8MM Milling required on the top and bottom wooden panels to fix the profile



Vertical Profile = Internal Cabinet Height minus 0.5MM

Horizontal Profile = Internal Cabinet width minus 18.5MM

GLASS BACK PANEL DIMENSION



Glass Height = Vertical profile measure minus 6.5MM

Glass Width = Horizontal profile measure plus 11.5MM

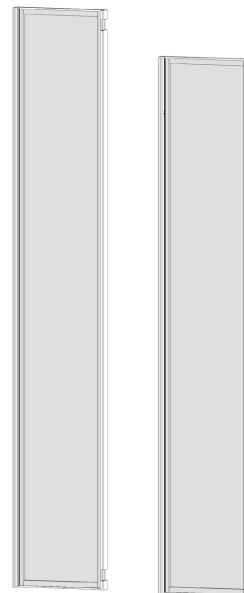


Glix Glass Door

Glix Glass Door

CODE	DESCRIPTION	FINISH	SIZE (mm)
TA-3606.96.26	Module 960	Brown Metal Grey	2615 x 488
TA-3606.96.24	Module 960	Brown Metal Grey	2423 x 488

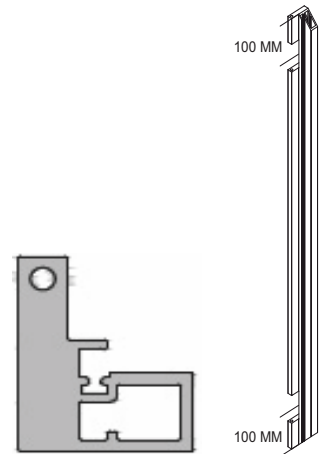
CODE	DESCRIPTION	FINISH	SIZE (mm)
TA-3606.66.26	Module 660	Brown Metal Grey	2615 x 388
TA-3606.66.24	Module 660	Brown Metal Grey	2423 x 388



Glix Glass Door Components

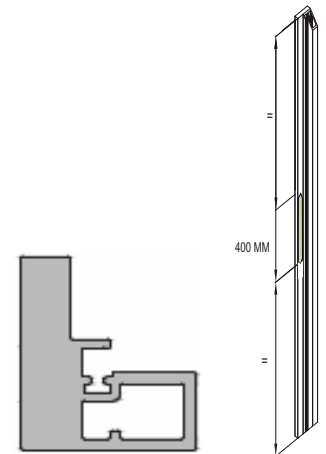
Hinged Profile

CODE	DESCRIPTION	FINISH	SIZE (mm)
TA-3711.26	Hinged Profile	Brown Metal Grey	2615 mm
TA-3711.24	Hinged Profile	Brown Metal Grey	2423 mm



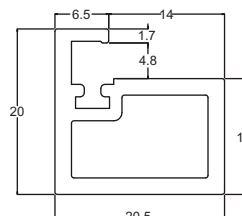
Handle Profile

CODE	DESCRIPTION	FINISH	SIZE (mm)
TA-3712.26	Handle Profile	Brown Metal Grey	2615 mm
TA-3712.24	Handle Profile	Brown Metal Grey	2423 mm



Horizontal Cuttable Profile

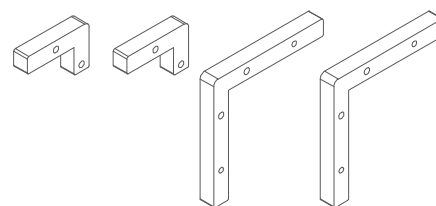
CODE	DESCRIPTION	FINISH	SIZE (mm)
TA-2304	Horizontal Profile	Brown Metal Grey	3000



TA-2305 Rubber Gasket for 4mm Glass in bars of 2.6 mtr. to be ordered separately.

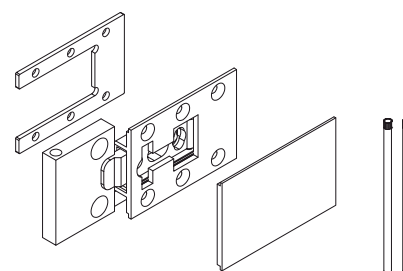
Kit Of Connecting Fittings

CODE	DESCRIPTION	FINISH	SIZE (mm)
TA-2306	Kit composed by 2 small connecting 2 big connecting plate 8 conic screw M4 x 10	Brown Metal Grey	



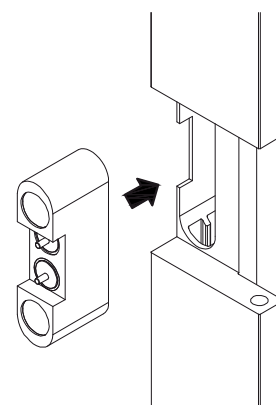
Set Of Two Hinges For Vertical Panel Thickness 25mm

CODE	DESCRIPTION	FINISH	SIZE (mm)
TA-2307	Hinge	Brown Metal Grey	25mm Panel

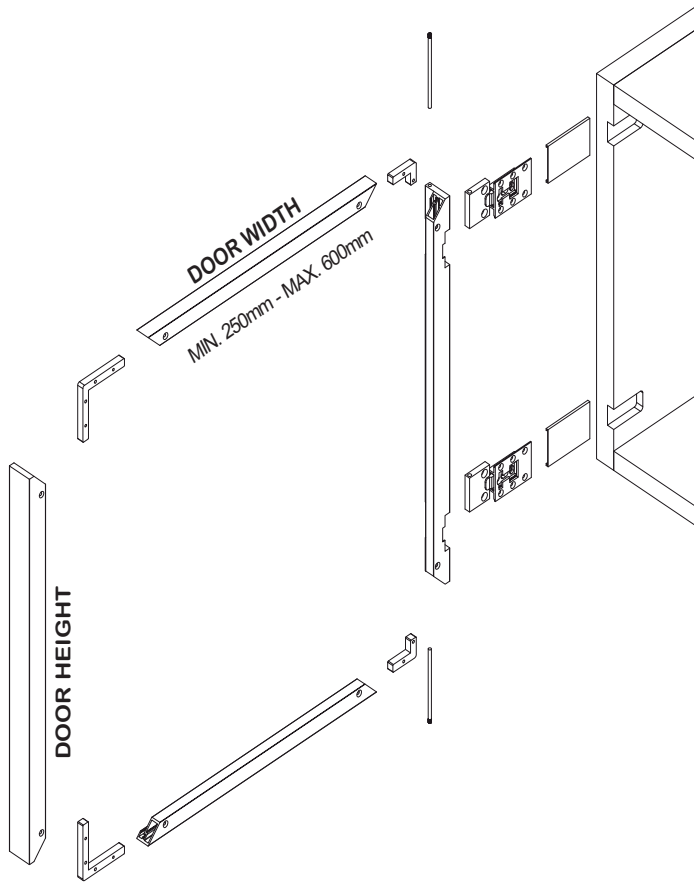


Set Of Two Soft-Close Devices

CODE	DESCRIPTION	FINISH	SIZE (mm)
TA-2308	Soft-Closing device with dampener and magnet	Brown Metal Grey	



Technical Instruction:



45° CUTTING REQUIRED TO CONNECT THE PROFILES



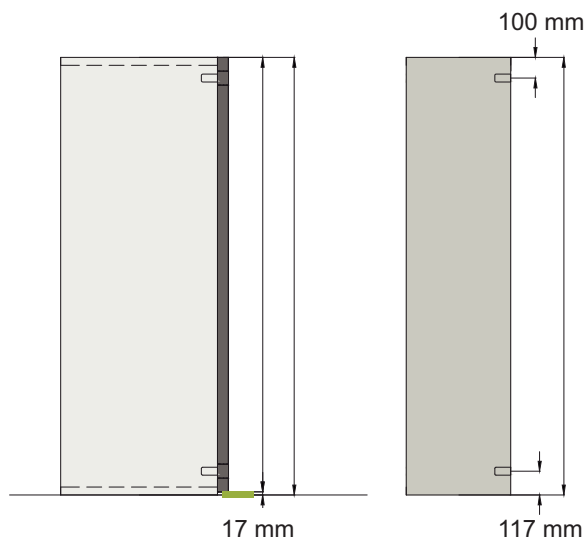
DOOR KIT COMPOSITION:

- 1 Aluminium handle profile.
- 1 Aluminium profile milled for hinges.
- 2 Horizontal aluminium frames.
- 4 Connecting plates with screws.
- 2 Hinge for 25mm Panel.
- 2 Soft Close.
- Rubber Gasket.

GLASS DIMENSION:

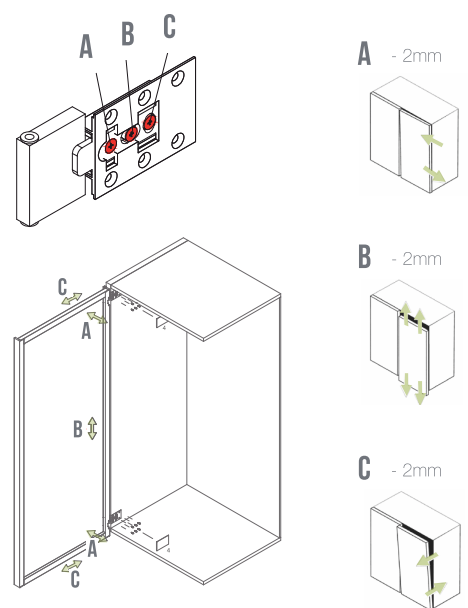
- Door Height Minus 5mm.
- Door Width Minus 21mm.
- Glass Thickness 4mm.

GLIX DOOR H 17MM (BETWEEN DOOR AND FLOOR)



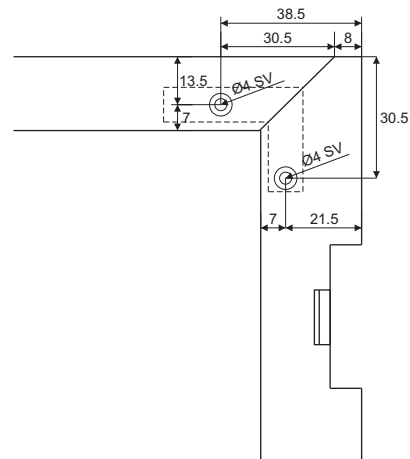
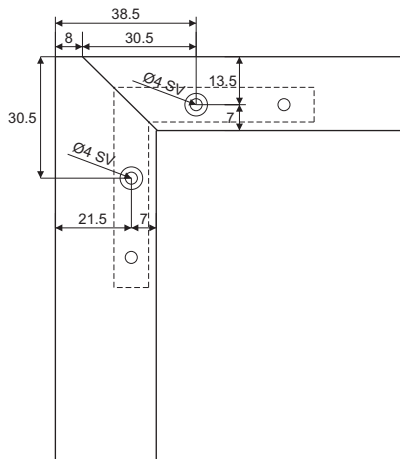
Cabinet Height For 2615mm Shutter = 2632mm
Cabinet Height For 2423mm Shutter = 2440mm

DOOR ADJUSTMENT

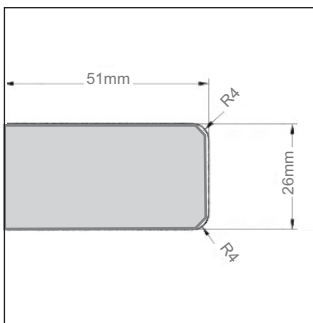


Attention:
the regulation B must be adjusted in the same direction for both hinges.

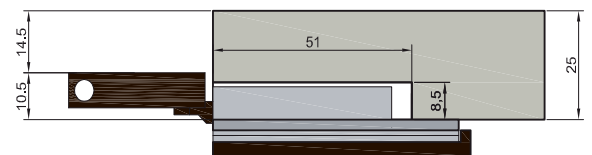
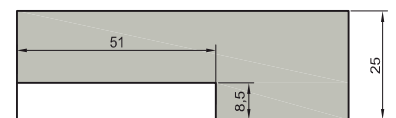
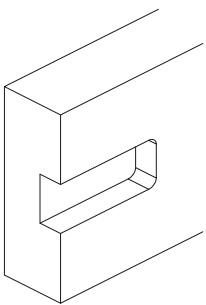
Profile Connector



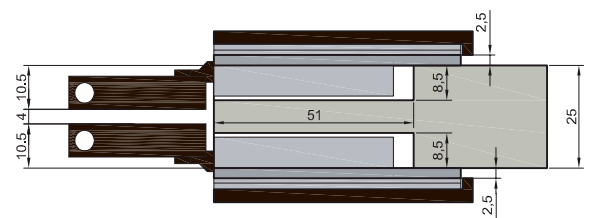
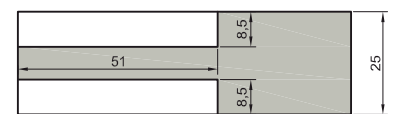
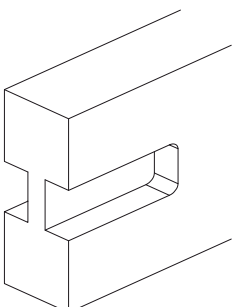
Hinge Milling Required



SINGLE DOOR APPLICATION



DOUBLE DOOR APPLICATION



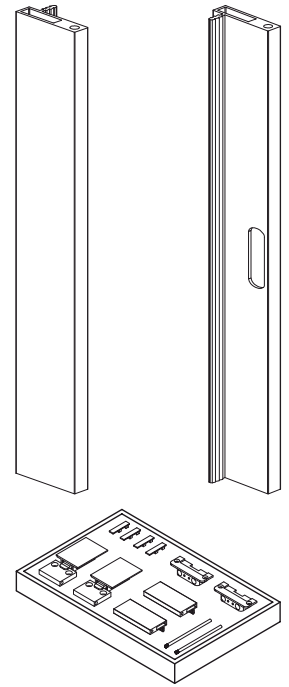
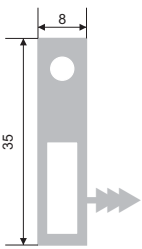


Glix Wood Door

Glix Wood Door

CODE	DESCRIPTION	FINISH	SIZE (mm)
TA-3600.26	Module 960	Brown Metal Grey	2650 x 600

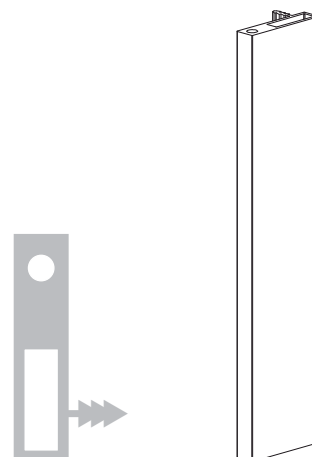
Door Thickness 16mm up to 25mm



Glix Wood Door Components

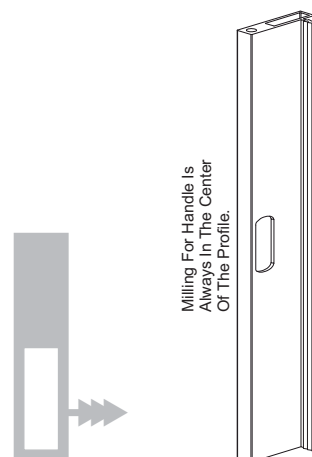
Hinged Profile

CODE	DESCRIPTION	FINISH	SIZE (mm)
TA-2309	Hinged Profile	Brown Metal Greay	2650



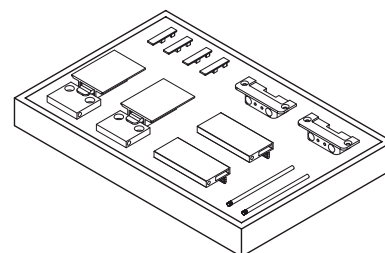
Handle Profile

CODE	DESCRIPTION	FINISH	SIZE (mm)
TA-2310	Handle Profile	Brown Metal Greay	2650



Hinges And Soft-Closing Set

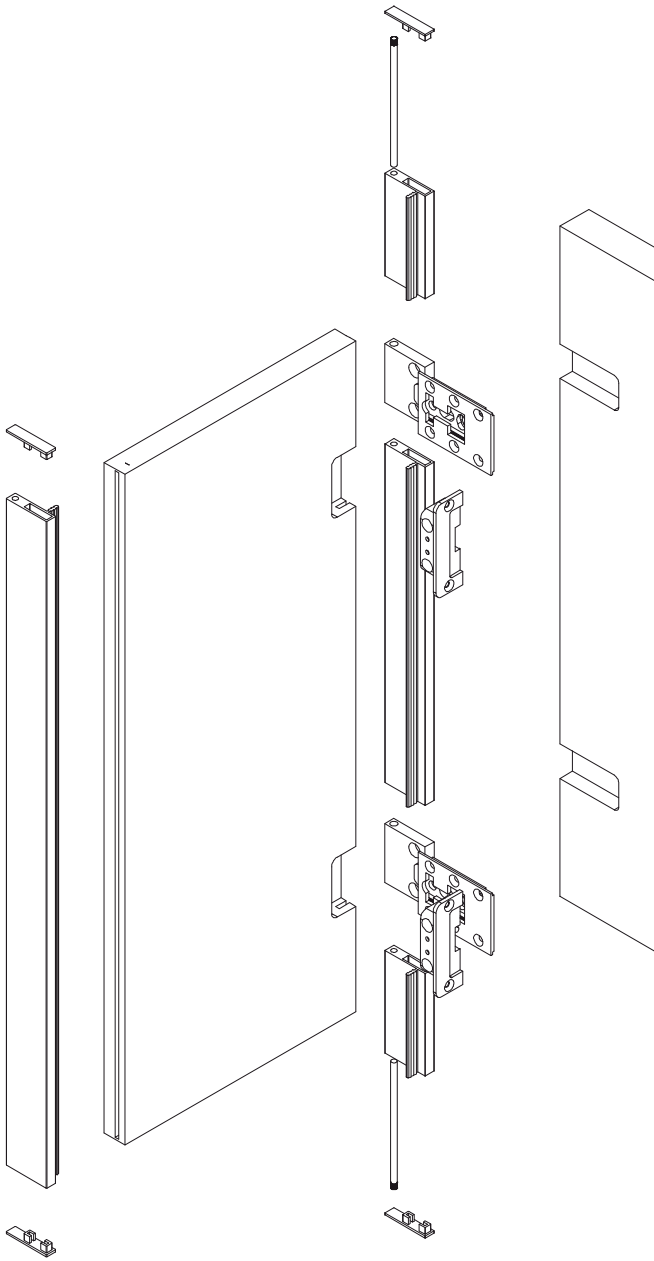
CODE	DESCRIPTION	FINISH	SIZE (mm)
TA-2311	HingePrepared	Brown Metal Greay	



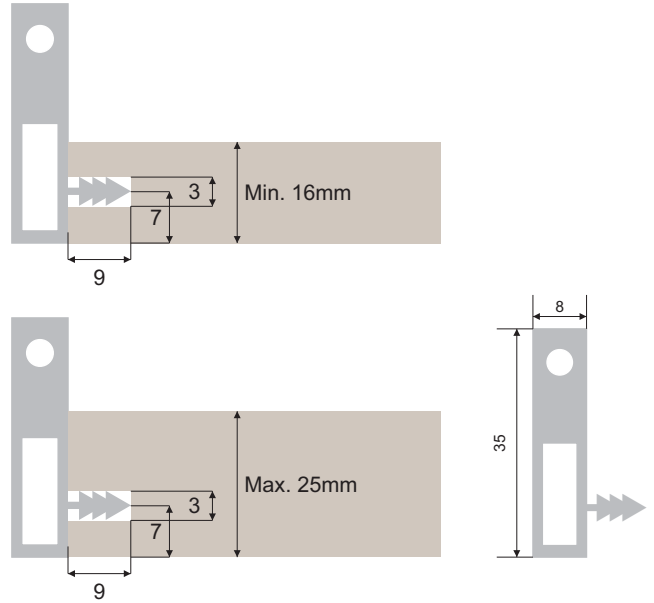
DOOR KIT COMPOSITION:

- 2 Hinges with spacers and carters
- 2 Metal pins
- 2 Soft close devices
- 2 Side profiles to be used with hinged profiles
- 4 Caps

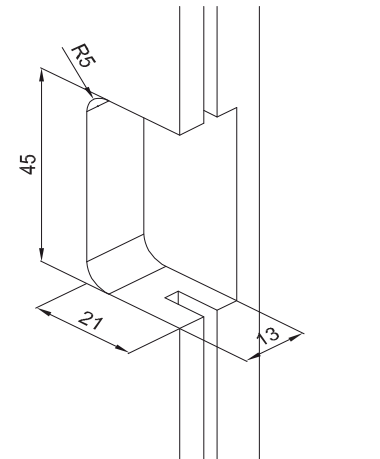
Technical Instruction:



DOOR THICKNESS 16MM UP TO 25MM



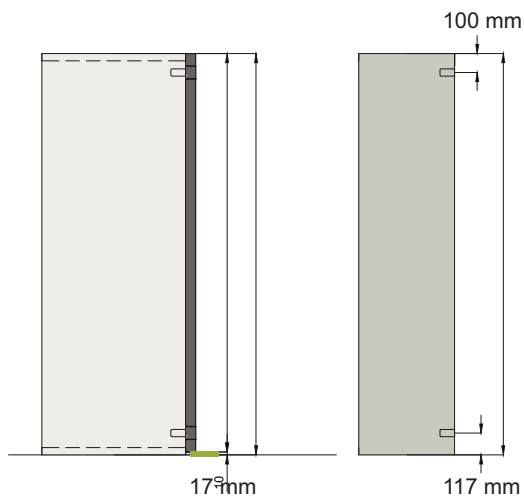
MILLING FOR INSTALLATION SOFT CLOSE



Feature:

- Neat Straight Line Design
- No Additional Handle Required
- No Straightener Required

How To Calculate Measure For Cut The Hinged Profile: Door Height Minus 247mm



Example Of Calculation - Cabinet 2600MM

Cabinet Height 2600MM

Door Height 2583MM (2600MM - 17MM)

Hinged Profile Length: 2336MM (2583MM - 247MM)

Example Of Calculation - Cabinet 2400MM

Cabinet Height 2400MM

Door Height 2383MM (2400MM - 17MM)

Hinged Profile Length: 2136MM (2283MM - 247MM)

How To Calculate Measure To Cut The Handle Profile: Handle Profile Has Same Length Of The Door

Example Of Calculation - Cabinet 2600MM

Cabinet Height 2600MM

Door Height 2583MM (2600MM - 17MM)

Hinged Profile Length: 2336MM (2583MM - 247MM)

Example Of Calculation - Cabinet 2400MM

Cabinet Height 2400MM

Door Height 2383MM (2400MM - 17MM)

Hinged Profile Length: 2136MM (2283MM - 247MM)



**Invisible Hinge &
Universal Profile**

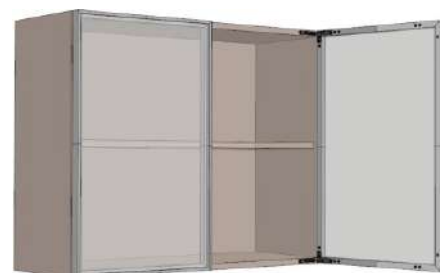
Universal Profile Shutter - Module 900

CODE	DESCRIPTION	FINISH	SIZE (mm)
TA-3631.45.21	Soft-Close Hinge	Brown Metal Grey	2100 x 447
TA-3631.45.07	Soft-Close Hinge	Brown Metal Grey	700 x 447

* Customised size available on demand.

CODE	DESCRIPTION	FINISH	SIZE (mm)
TA-3632.45.21	Push To Open Hinge	Brown Metal Grey	2100 x 447
TA-3632.45.07	Push To Open Hinge	Brown Metal Grey	700 x 447

* Customised size available on demand.



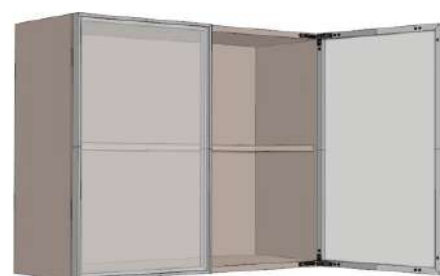
Universal Profile Shutter - Module 600

CODE	DESCRIPTION	FINISH	SIZE (mm)
TA-3631.30.21	Soft-Close Hinge	Brown Metal Grey	2100 x 297
TA-3631.30.07	Soft-Close Hinge	Brown Metal Grey	700 x 297

* Customised size available on demand.

CODE	DESCRIPTION	FINISH	SIZE (mm)
TA-3632.30.21	Push To Open Hinge	Brown Metal Grey	2100 x 297
TA-3632.30.07	Push To Open Hinge	Brown Metal Grey	700 x 297

* Customised size available on demand.



Invisible Hinge & Universal Profile Components

Invisible Hinge Soft-Close

CODE	DESCRIPTION	FINISH	TYPE
TA-2441.L	Weight Capacity 15kg	Black	Left
TA-2441.R	Weight Capacity 15kg	Black	Right



Invisible Hinge Push To Open

CODE	DESCRIPTION	FINISH	SIZE (mm)
TA-2444.L	Weight Capacity 15kg	Black	Left
TA-2444.R	Weight Capacity 15kg	Black	Right



Universal Aluminium Profile

CODE	DESCRIPTION	FINISH	SIZE (mm)
TA-2442	Universal Profile	Brown Metal Grey	3000



TA-2508 Rubber Gasket for 4mm Glass in bars of 2.6 mtr. to be ordered separately.

Connector For Universal Aluminium Profile

CODE	DESCRIPTION	FINISH	TYPE
TA-2443	Corner Connector		



Invisible Hinge Soft-Close For Wooden Door XL

CODE	DESCRIPTION	FINISH	SIZE (mm)
TA-2445.L	Weight Capacity 30kg	Black	Left
TA-2445.R	Weight Capacity 30kg	Black	Right

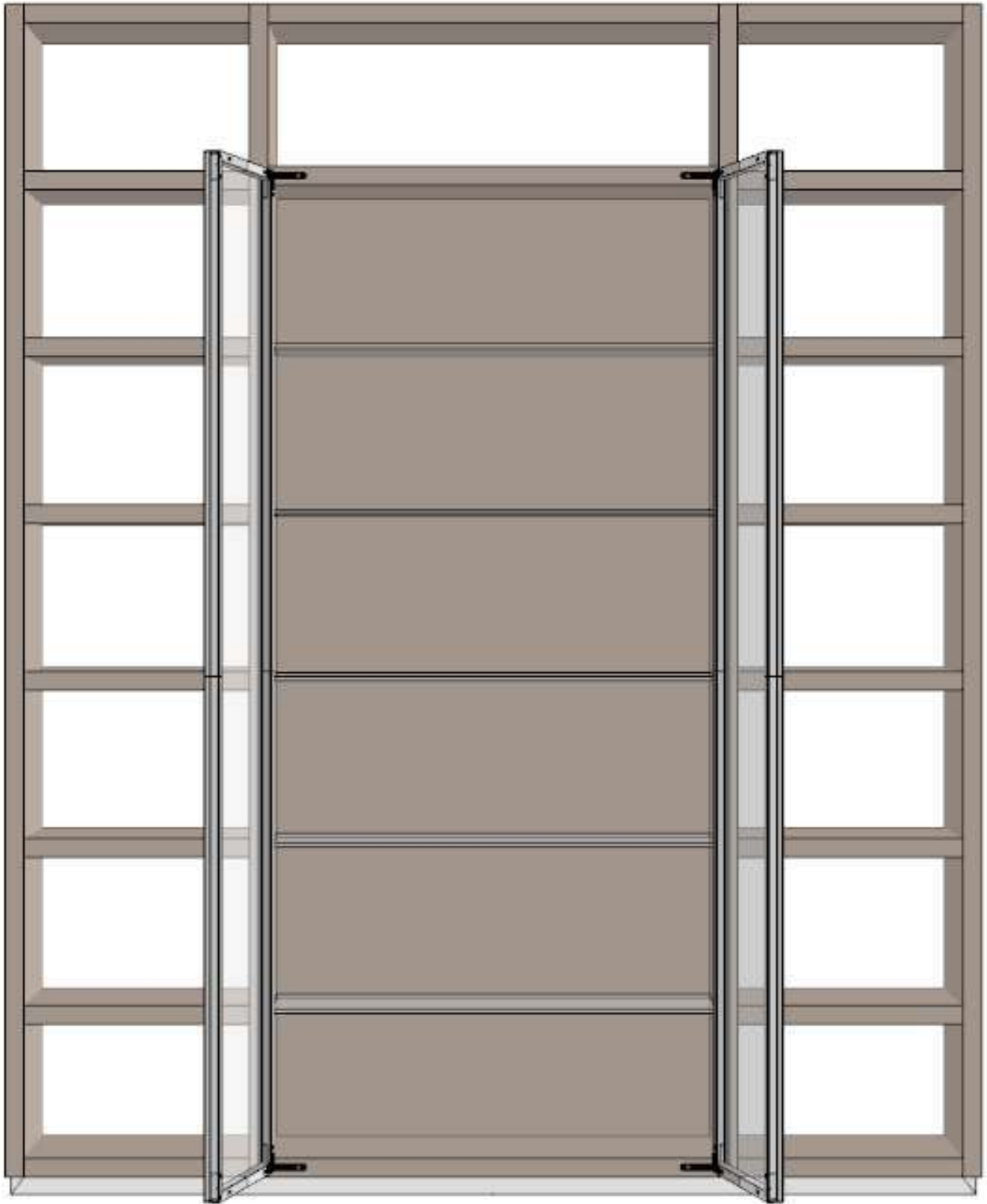


Connector For Universal Aluminium Profile XL

CODE	DESCRIPTION	FINISH	SIZE (mm)
TA-2446	Corner Connector		



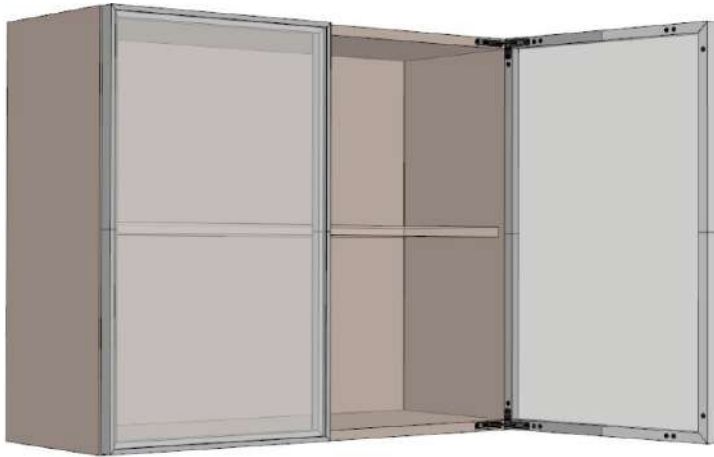
Technical Instruction:



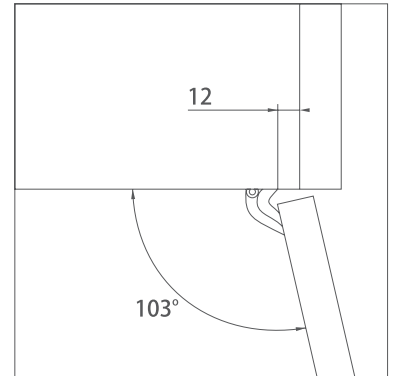
TECHNICAL SPECIFICATIONS:

Integrated Soft Close / Tip On System
Door weight max. : 18kg
Door width max. : 600mm
Door height max. : 1800mm
Opening angle : 105°
Minimum Thickness of Panel : 18mm

Opening Angle

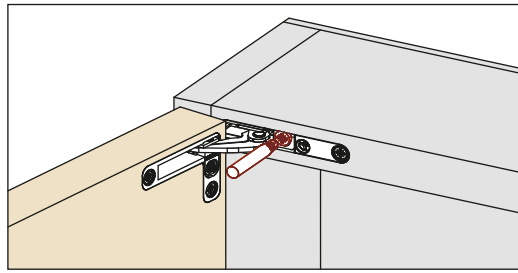
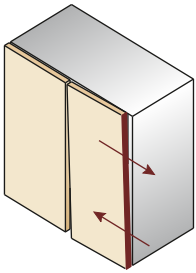


Door Projection

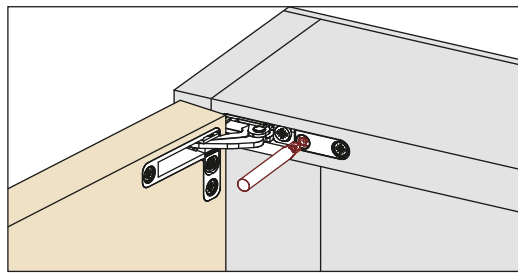
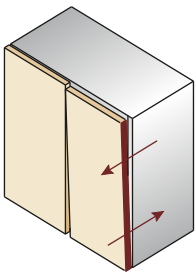


Hinges Application And Adjustment

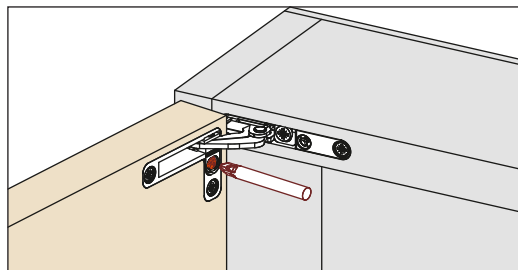
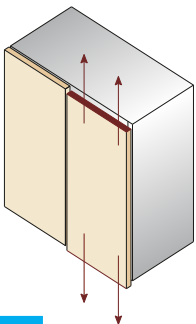
Lateral Adjustment
+2mm / -2mm



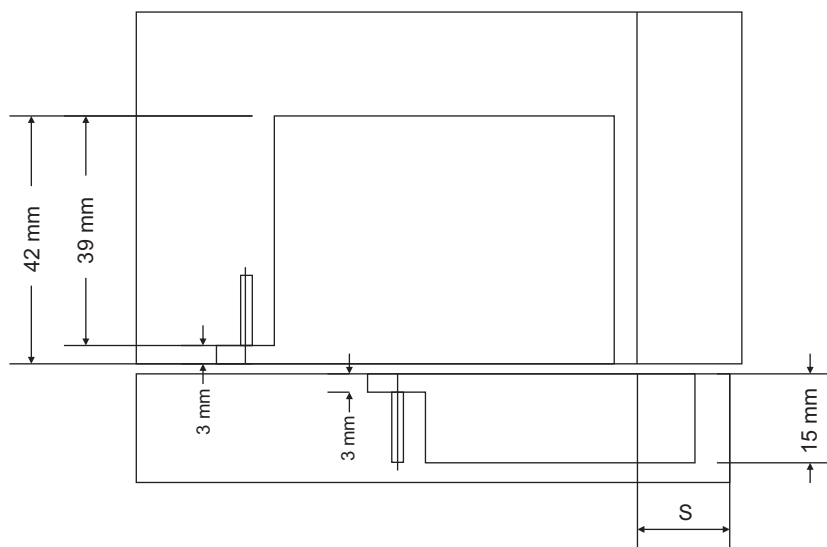
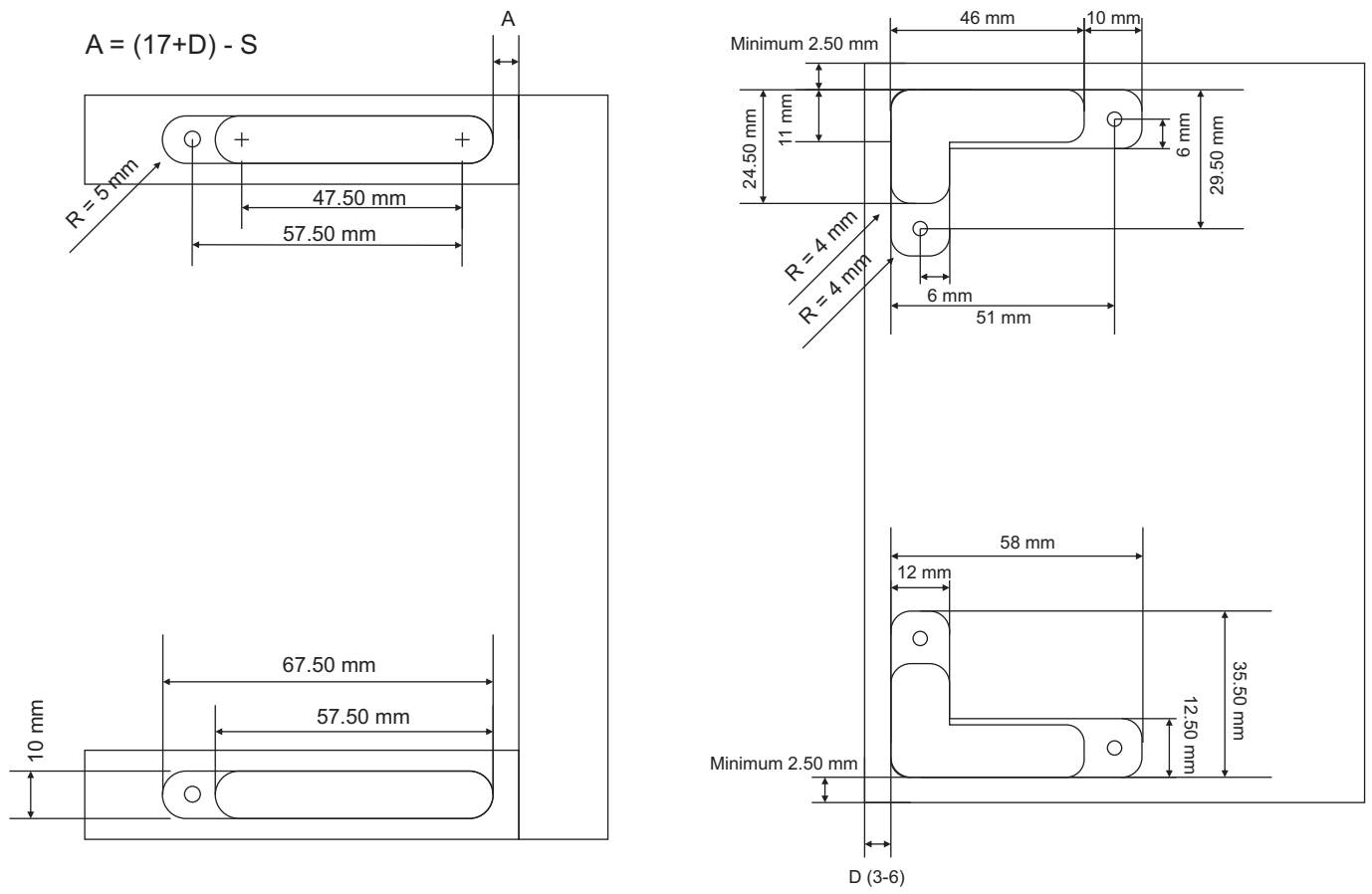
Front Adjustment
+2mm / -0.5mm



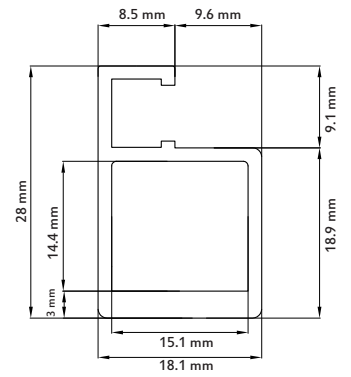
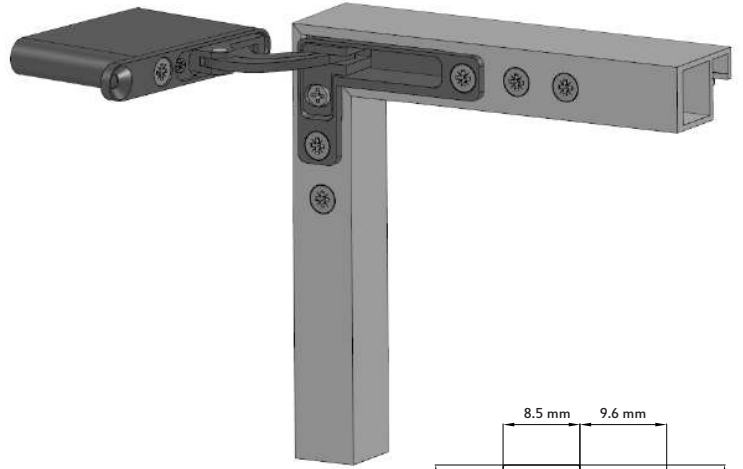
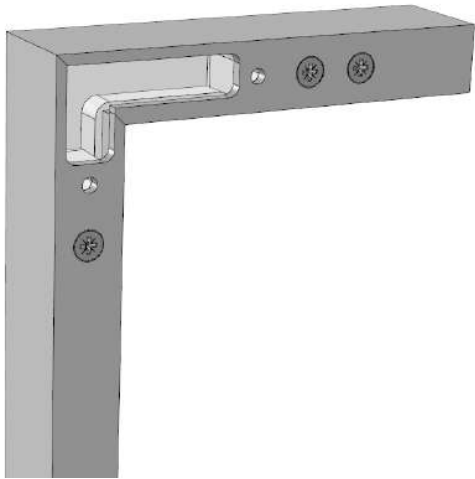
Vertical Adjustment
+1.5mm / -1.5mm



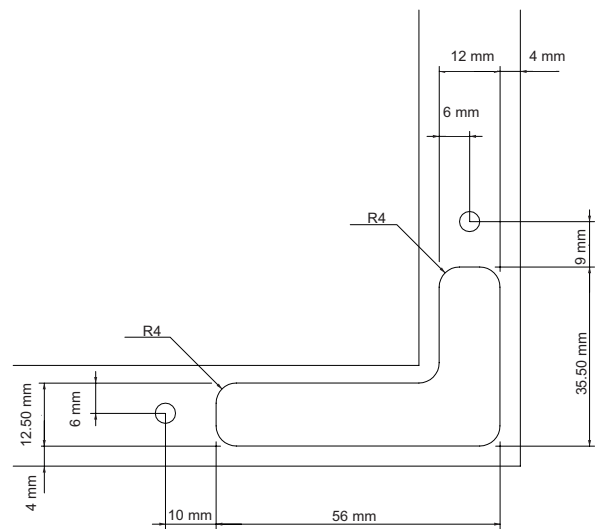
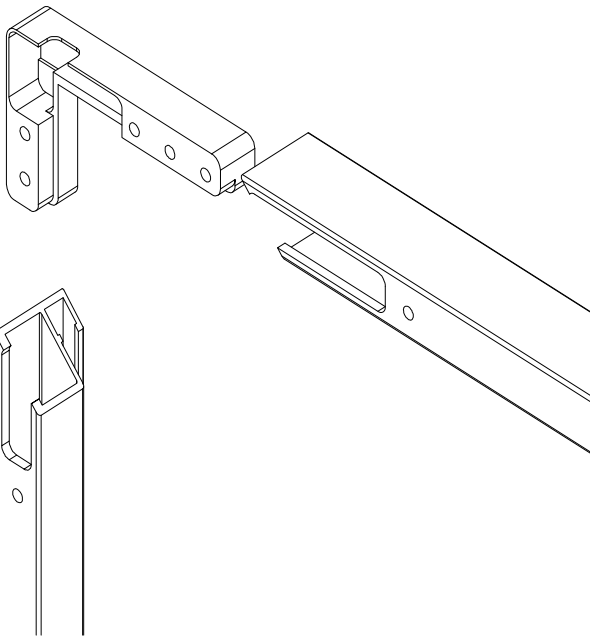
Opening Angle



Aluminium Profile For Invisibel Hinges



Connecting Plate For Universal Profile





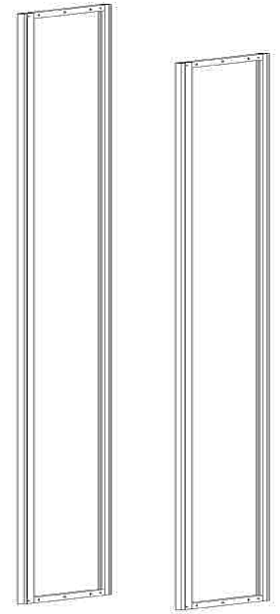
Tetrix Structural For Walk In Closet

Tetrix Structural Side Profile For Walk In Closet

CODE	DESCRIPTION	FINISH	SIZE (mm)
TA-3621.26.L	Left	Brown Metal Grey	2617 x 578
TA-3621.24.L	Left	Brown Metal Grey	2425 x 578

CODE	DESCRIPTION	FINISH	SIZE (mm)
TA-3622.26.R	Right	Brown Metal Grey	2617 x 578
TA-3622.24.R	Right	Brown Metal Grey	2425 x 578

CODE	DESCRIPTION	FINISH	SIZE (mm)
TA-3623.26.C	Central	Brown Metal Grey	2617 x 578
TA-3623.24.C	Central	Brown Metal Grey	2425 x 578



Flexi LED Light

CODE	DESCRIPTION	FINISH	SIZE (mm)
TA-3610		Warm White	2700




Transformer And Cable For Flexi LED Light

CODE	DESCRIPTION	FINISH	SIZE (mm)
TA-3611	Transformer with cable		





Set Of Connecting Fittings & Leveller


CODE	DESCRIPTION
TA-3609	Set of connecting fittings for hinged door wardrobe and open wardrobe

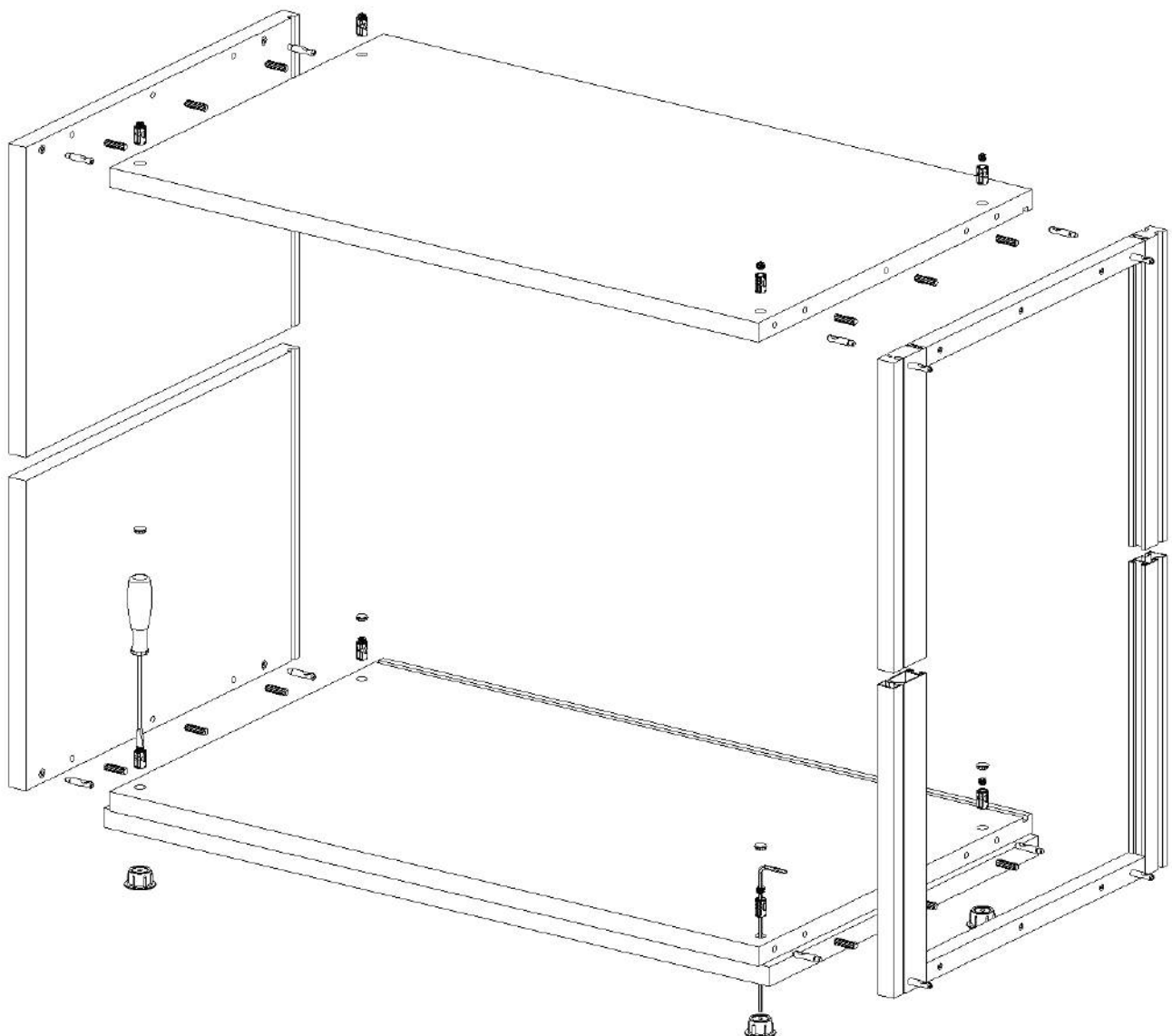
 METAL COVER CUP
8 pcs Nickel plated
8 pcs Bronze plated

 BOLT INT. 21 THREAD M6
8 pcs

 ALLEN KEY 4 SIZE 40X140
1 pcs

 BARREL NUT WITH
CONIC SCREW
8 sets

 ADJUSTABLE LEVELER
4 pcs

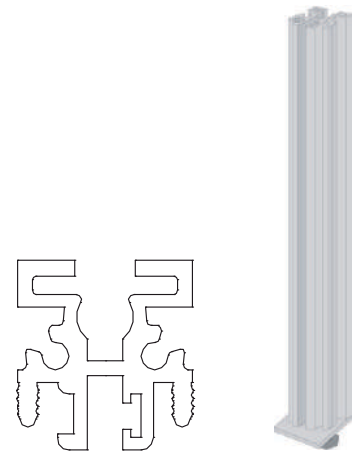




Walk In Closet

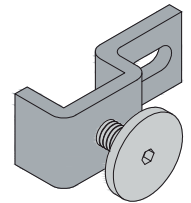
Vertical Aluminium Rack Profile With 4mm Gap

CODE	DESCRIPTION	FINISH	Size (mm)
TA-2521	Vertical Rack Profile	Brown Metal Grey	2600



Wall Fixing Clip Vertical Rack Profile

CODE	DESCRIPTION	FINISH	SIZE (mm)
TA-2522	Wall Fixing Clip	Nickel	



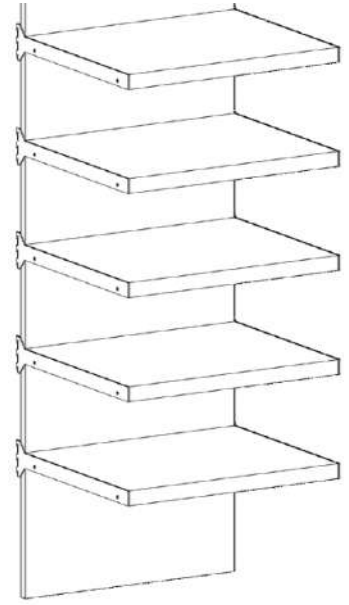
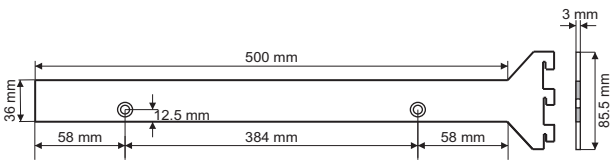
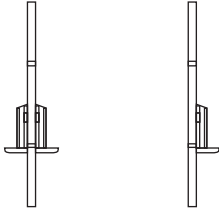
Plastic Clip For Back Panel

CODE	DESCRIPTION	FINISH	SIZE (mm)
TA-2523	Plastic Clip For Panels	Black	



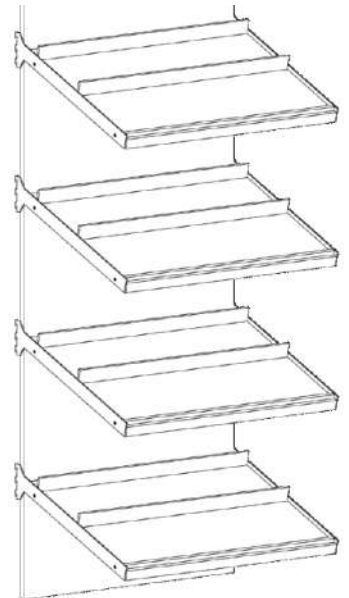
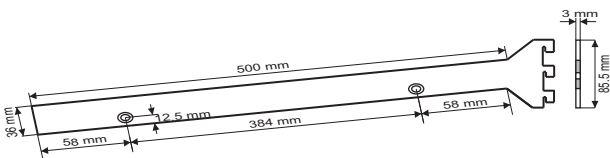
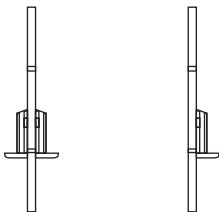
Universal Shelf Bracket

CODE	DESCRIPTION	FINISH	Size (mm)
TA-2524	Shelf Bracket	Brown Metal Grey	500 x 36



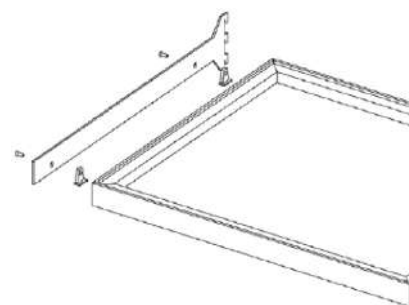
Universal Shoe Bracket

CODE	DESCRIPTION	FINISH	SIZE (mm)
TA-2529	Shoe Bracket	Brown Metal Grey	500 x 36



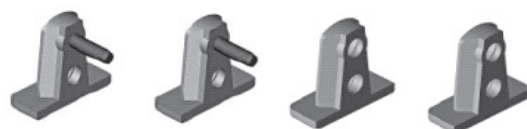
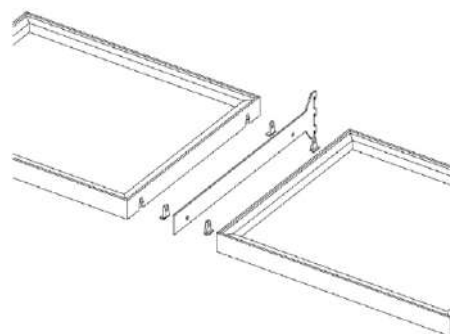
Shelf Support For Luminous Shelf / External Fixing

CODE	DESCRIPTION	FINISH	Size (mm)
TA-2377	Kit Composed by 2 Shelf Support With Thread	Brown Metal Grey	

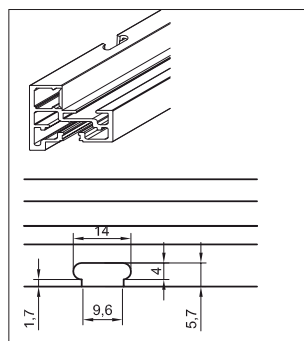
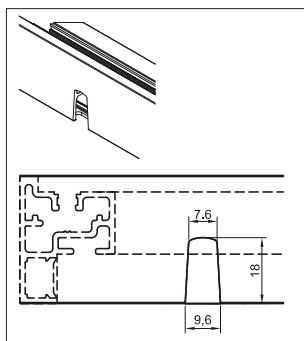


Shelf Support For Luminous Shelf / Central Fixing

CODE	DESCRIPTION	FINISH	SIZE (mm)
TA-2526	Kit Composed by 2 Shelf Support With Thread And 2 Shelf Support	Brown Metal Grey	

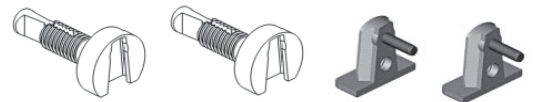
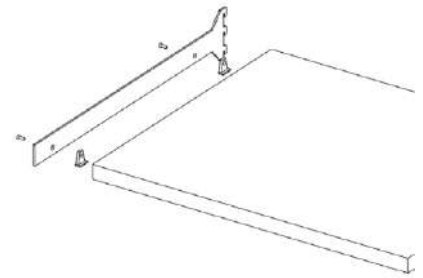


How To Drill The Luminous Shelf To Use The Shelf Support



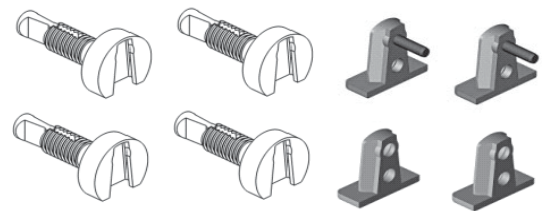
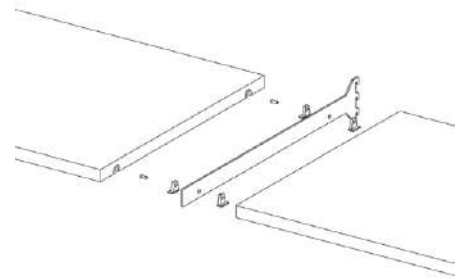
Shelf Support For Wooden Shelf / External Fixing

CODE	DESCRIPTION	FINISH	Size (mm)
TA-2378	Kit Composed by 2 Shelf Support With Thread & 2 Plastic Nuts	Brown Metal Grey	

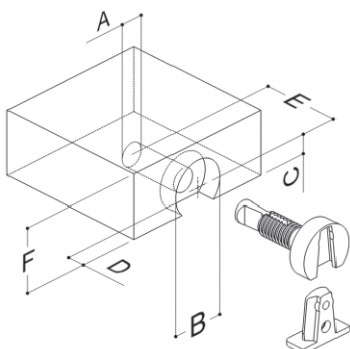


Shelf Support For Wooden Shelf / Central Fixing

CODE	DESCRIPTION	FINISH	SIZE (mm)
TA-2526	Kit Composed by 2 Shelf Support With Thread And 2 Shelf Support Hole 4 Plastic Nuts	Brown Metal Grey	



How To Drill The Wooden Shelf To Use The Shelf Support

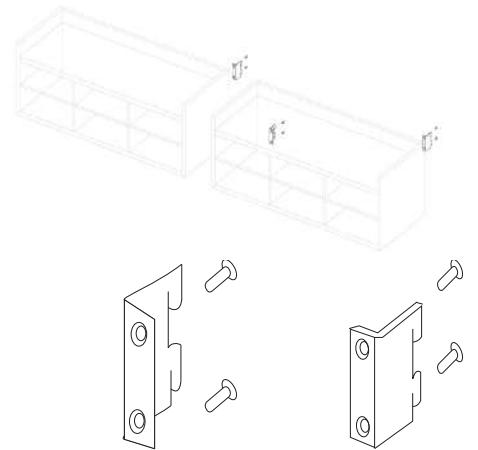


A	Ø 9
B	Ø 21
C	7.5
D	7
E	31
F	25

*The use of our shelf support is not mandatory.

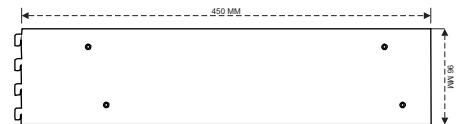
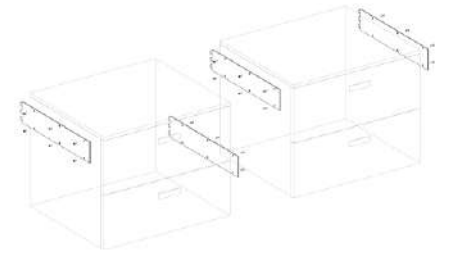
Invisible Cabinet Bracket

CODE	DESCRIPTION	FINISH	Type
TA-2528.L	Cabinet Bracket	Brown Metal Grey	Left
TA-2528.R	Cabinet Bracket	Brown Metal Grey	Right

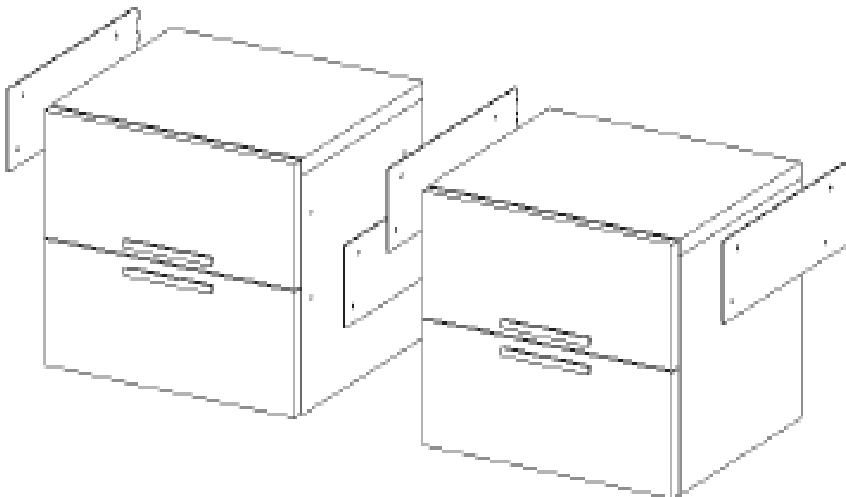


Bracket For Drawer Chest

CODE	DESCRIPTION	FINISH	SIZE (mm)
TA-2527	Drawer Chest	Brown Metal Grey	450 x 96

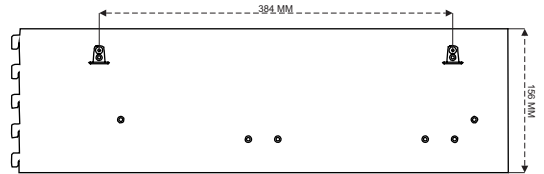
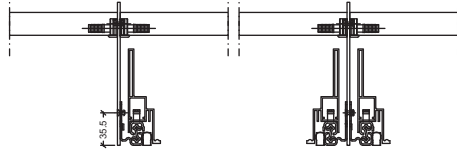
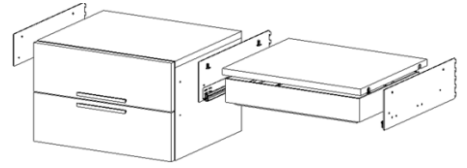


Example Of Applications:



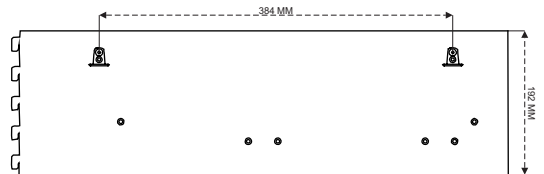
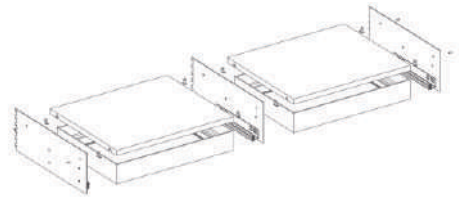
Universal Bracket For Mix Box & Cabinet

CODE	DESCRIPTION	FINISH	Size (mm)
TA-3731	Bracket For Mix Box	Brown Metal Grey	530 x 156

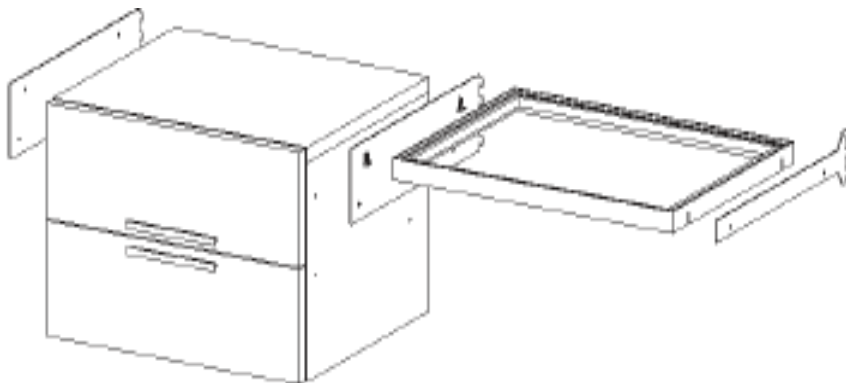


Universal Bracket For Mix Box

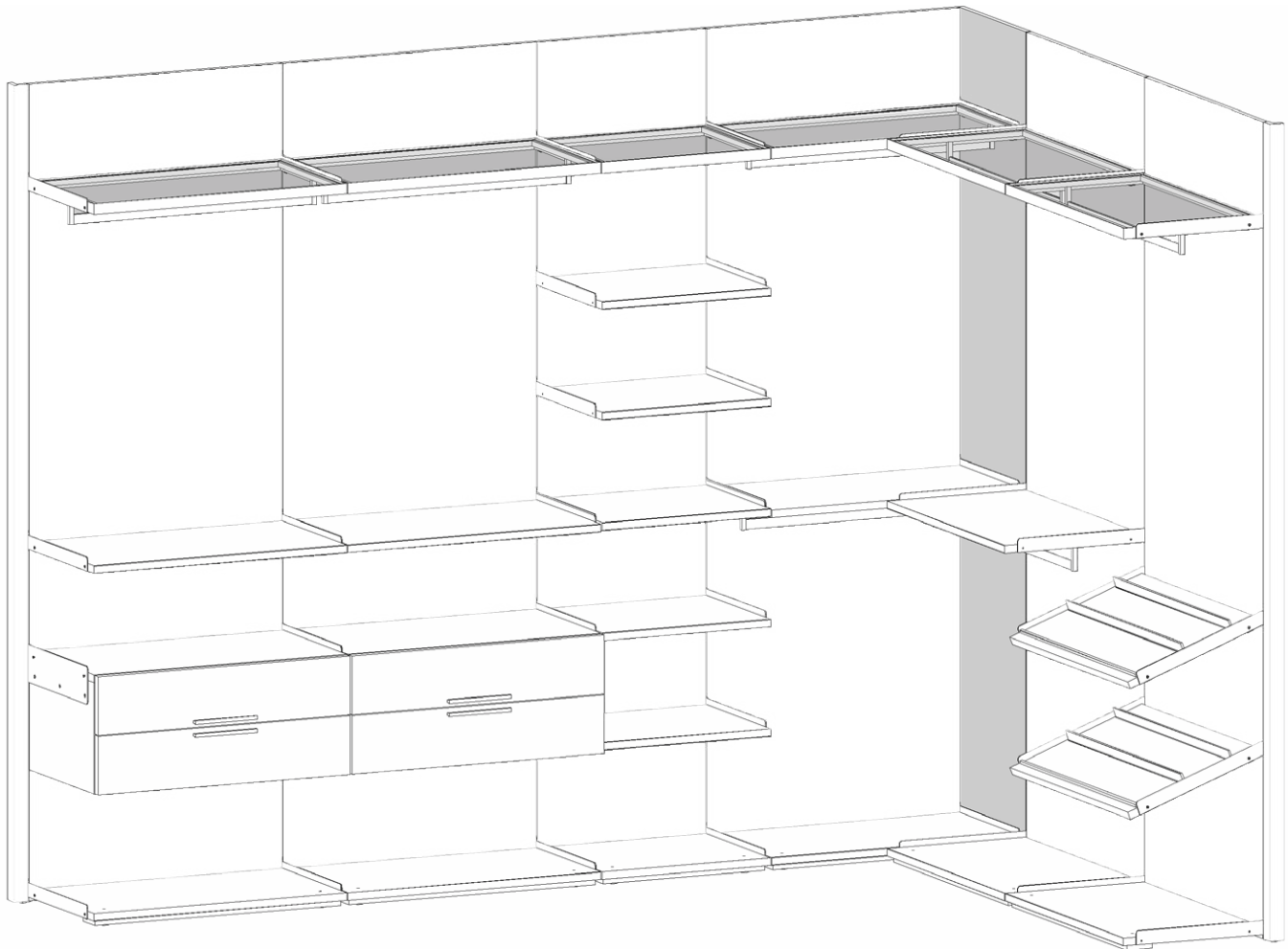
CODE	DESCRIPTION	FINISH	SIZE (mm)
TA-2531	Bracket For Mix Box	Brown Metal Grey	500 x 192



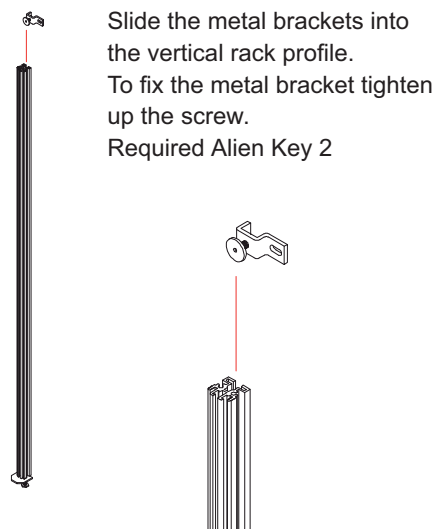
Example Of Applications:



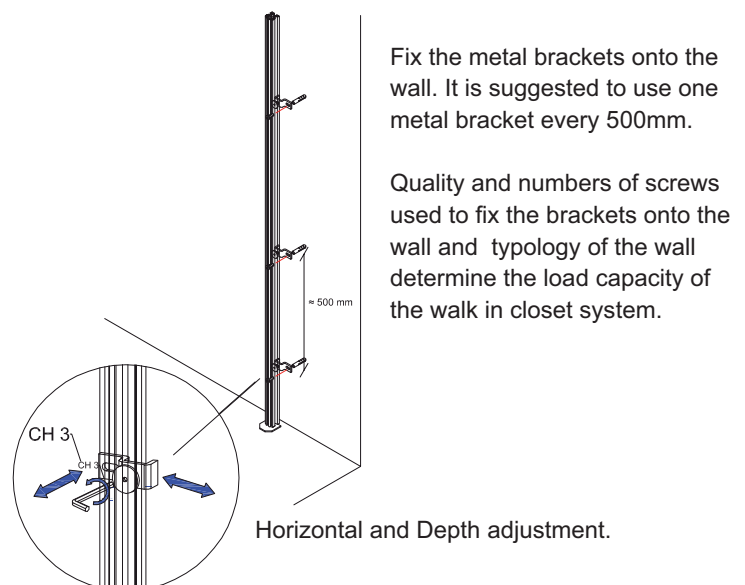
Technical Instruction:



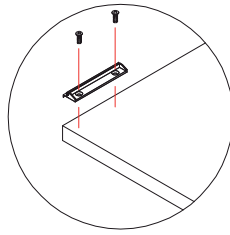
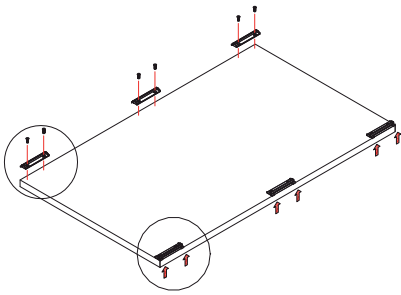
HOW TO FIX THE METAL BRACKETS



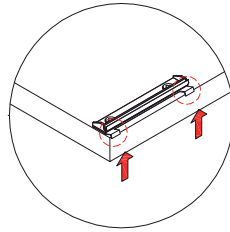
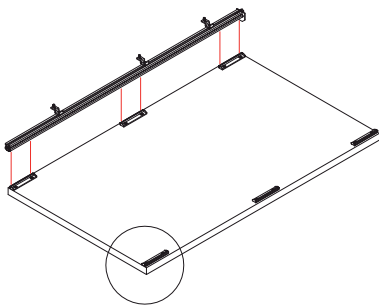
HOW TO FIX THE FIRST VERTICAL RACK PROFILE TO THE WALL



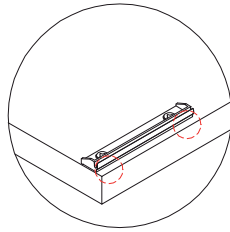
How To Fix The Plastic Clip On The Wooden Panel



Screw the plastic clip on the wooden panel. The position of the clip is determined by the plastic removable template which always give the correct distance from the edge of the panel.

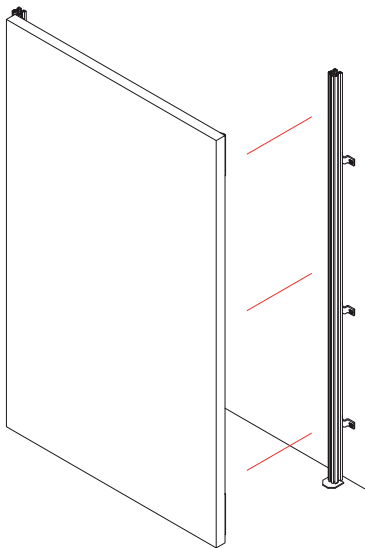


Remove the plastic template from the clip.

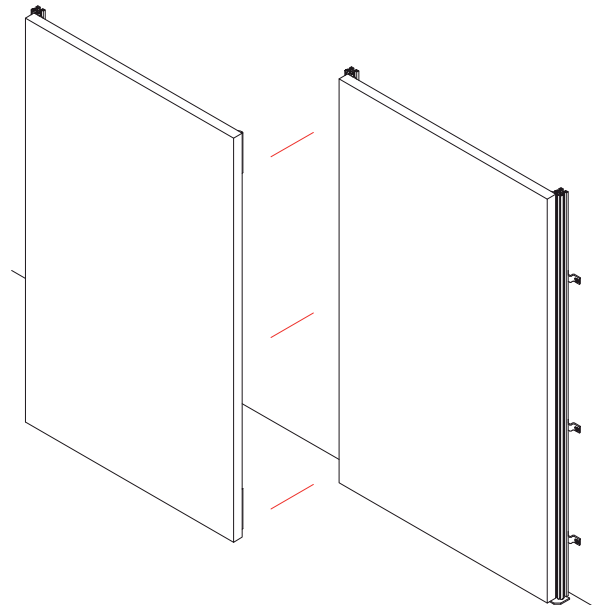


Once the plastic template has been removed, you can clip the vertical rack profile to the plastic clip.

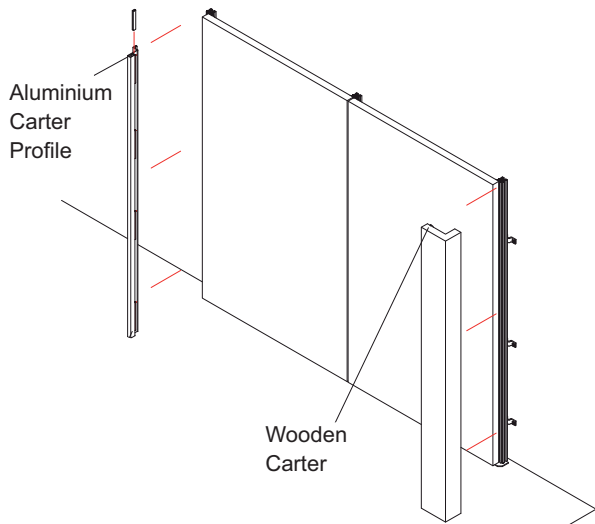
Clip the first wooden panel on the vertical rack profile fixed on the wall. The position of the second vertical rack profile is given by the wooden panel.



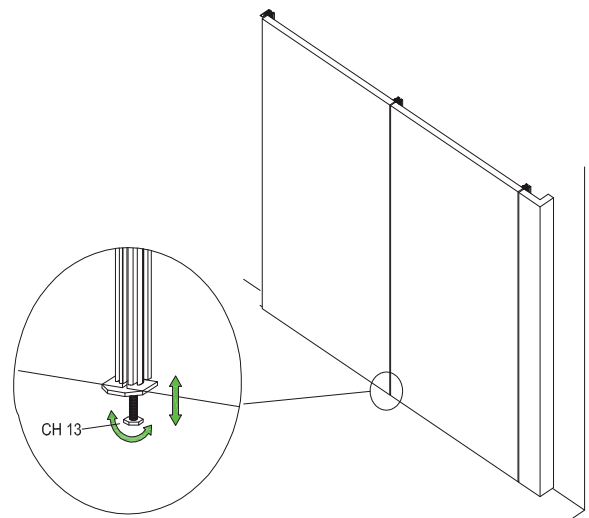
Clip the second wooden panel on the vertical rack profile fixed on the wall. The position of the next vertical rack profile is given by the wooden panel. This operation can be repeated for the numbers of panels needed.



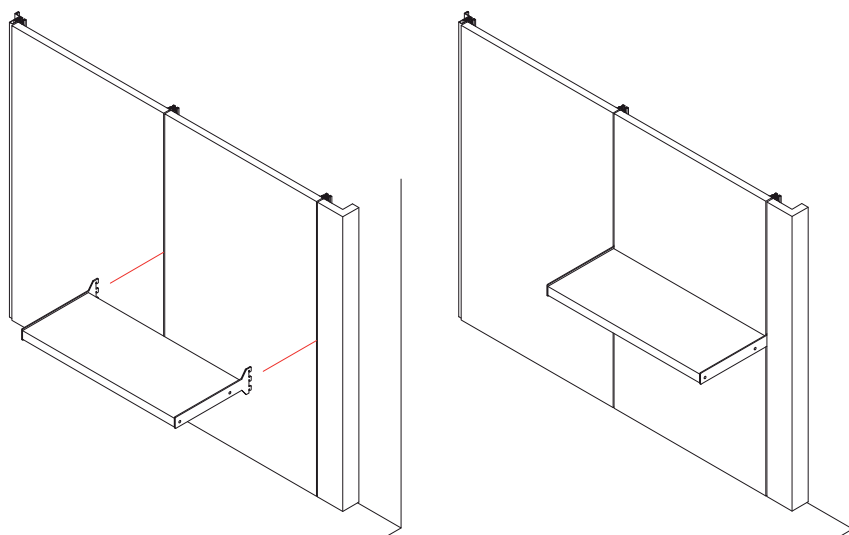
Fix the Carter profiles to cover the last vertical rack profile. It is possible to use aluminium carter profile or wooden carter profile as well.



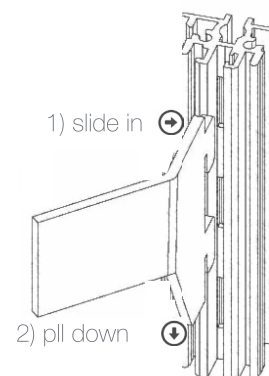
Adjust the height of the panel and align the top and bottom edge thanks to the pre-mounted leveler assembled on vertical rack profile. Required Key 13.



How To Fix The Shelves And Cabinet Brackets On Vertical Profile



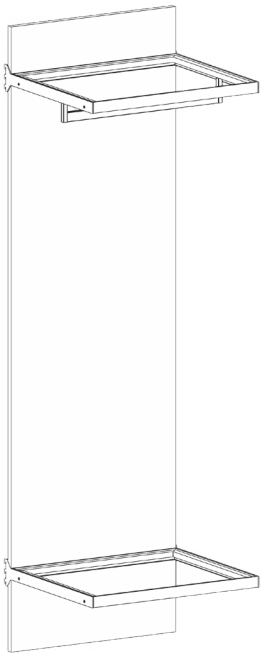
Slide the brackets into the hole of the vertical rack profile. Pull down the bracket to fix it onto the vertical rack profile.



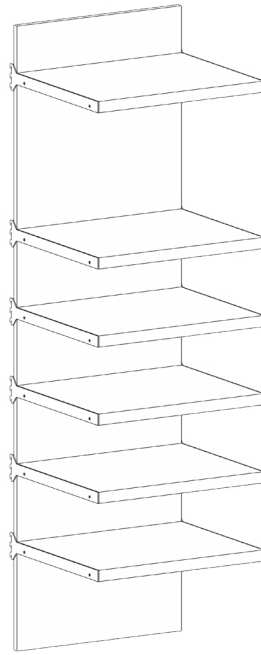
Our walk in closet system provides maximum flexibility both in the ability to equip the cabinet and in the width and height measures of the cabinet. The combination of the various accessories, some with fixed and other with variable dimensions allow to modulate the paneling to perfectly furnish walls of any measure.

The vertical rack profiles supplied in standard measure 2650mm are cuttable at any height, granting complete flexibility.

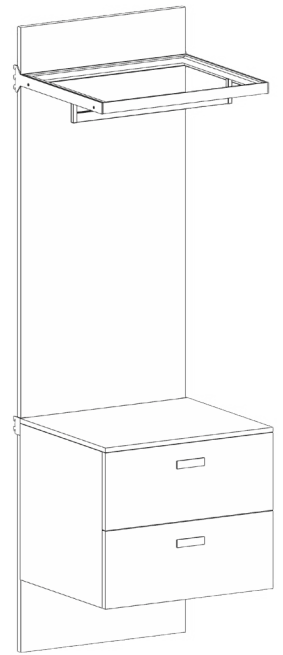
Luminous Shelves



Wooden Shelves



Wooden Cabinet

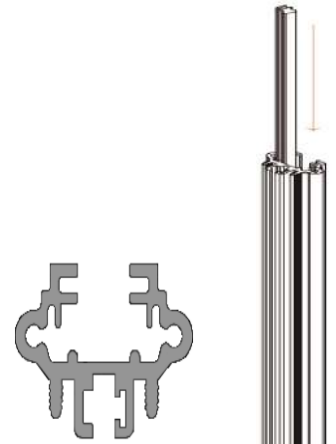




Evert Walk In Closet

Evert Vertical Aluminium Rack Profile With 4mm Gap

CODE	DESCRIPTION	FINISH	Size (mm)
TA-2520	Vertical Rack Profile	Brown Metal Grey	2606



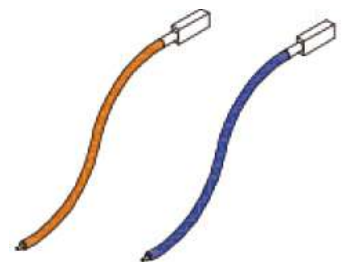
Electric Cuttable Bar

CODE	DESCRIPTION	FINISH	SIZE (mm)
TA-3730	Electric Cuttable Bar		3000



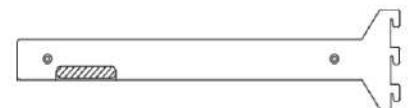
Fast On Cables For Evert

CODE	DESCRIPTION	FINISH	SIZE (mm)
TA-3732.A	Fast On Positive Wire	Brown	1000
TA-3732.B	Fast On Negative Wire	Brown	1000

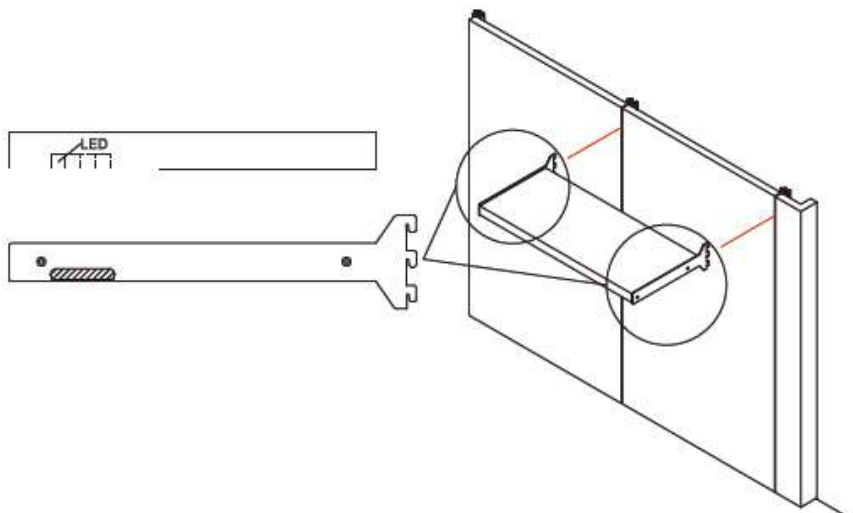
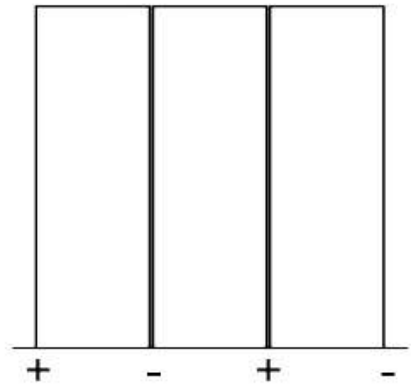
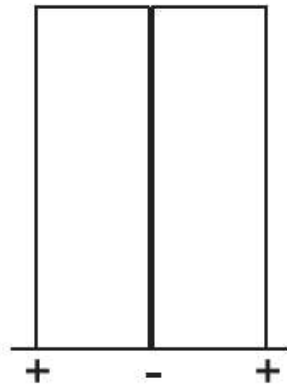
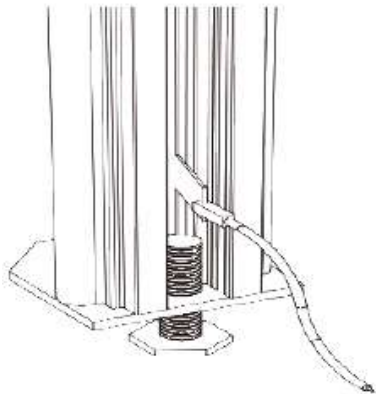
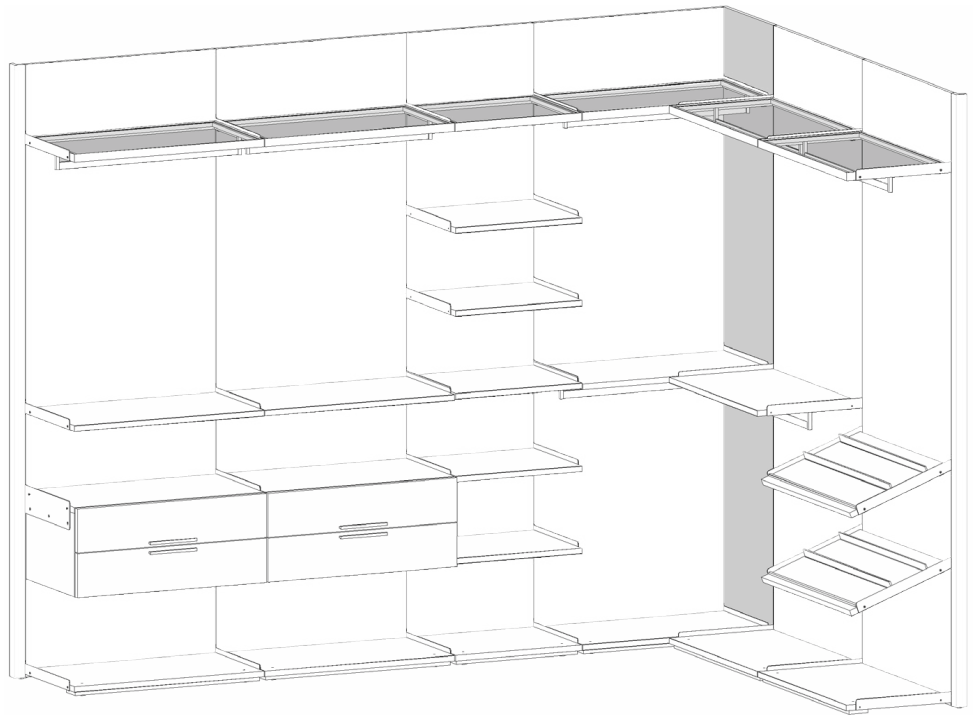
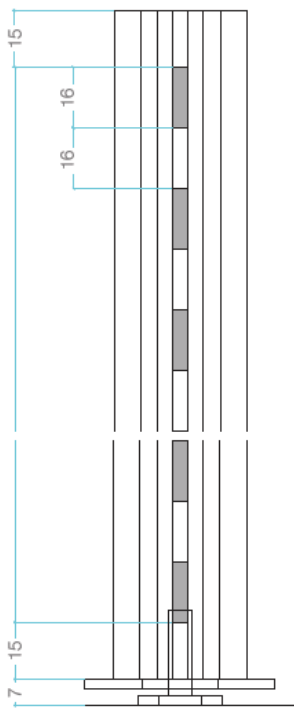


Evert Universal Bracket For Lumix Shelf

CODE	DESCRIPTION	FINISH	SIZE (mm)
TA-3735.L	Universal Bracket Left	Brown Metal Grey	500 x 36
TA-3735.R	Universal Bracket Right	Brown Metal Grey	500 x 36
TA-37353.C	Universal Bracket Central	Brown Metal Grey	500 x 36



Technical Instruction:



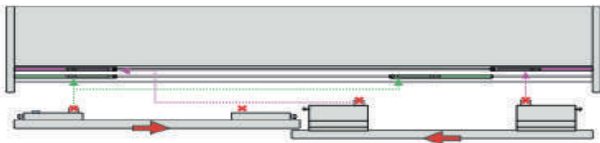


**Offset Sliding System
With Soft-Close**

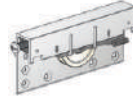
Offset Sliding Kit For Two Doors Wardrobe

CODE	DOOR THICKNESS
TA-2341.25	25mm Door Thickness
TA-2341.35	35mm Door Thickness

How To Install The Soft-Close In A Wardrobe With Two Doors



Right Upper Tracks for Internal Door



Left Upper Tracks for Internal Door



Right Upper Tracks for External Door



Left Upper Tracks for External Door



Two Lower Sliders for Internal Door



Two Lower Sliders for External Door



Four Lower Standard Stopper



Four Plastic Washers for Aluminium Handle



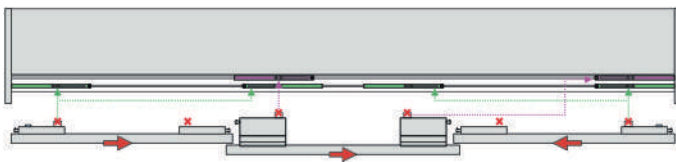
Two Upper Standard Stopper



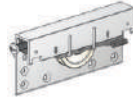
Offset Sliding Kit For Three Doors Wardrobe

CODE	DOOR THICKNESS
TA-2342.25	25mm Door Thickness
TA-2342.35	35mm Door Thickness

How To Install The Soft-Close In A Wardrobe With Three Doors



Right Upper Tracks for Internal Door



Left Upper Tracks for Internal Door



Right Upper Tracks for External Door



Left Upper Tracks for External Door



Two Lower Sliders for Internal Door



Two Lower Sliders for External Door



Four Lower Standard Stopper



Four Plastic Washers for Aluminium Handle

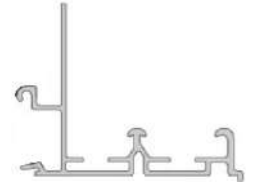


Two Upper Standard Stopper



Top Rail Aluminium Profile

CODE	DESCRIPTION	FINISH	Size (mm)
TA-2344.20	Top Track	Aluminium	2000
TA-2344.30	Top Track	Aluminium	3000
TA-2344.40	Top Track	Aluminium	4000



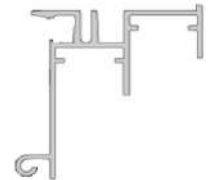
Clip For Top Rail Aluminium Profile

CODE	DESCRIPTION	FINISH	Size (mm)
TA-2348	Clip For Top Track	Black	



Bottom Rail Aluminium Profile

CODE	DESCRIPTION	FINISH	Size (mm)
TA-2345.20	Bottom Track	Aluminium	2000
TA-2345.30	Bottom Track	Aluminium	3000
TA-2345.40	Bottom Track	Aluminium	4000



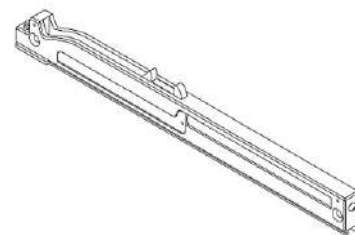
Clip For Bottom Rail Aluminium Profile

CODE	DESCRIPTION	FINISH	Size (mm)
TA-2349	Clip For Bottom Track	Black	



Upper Soft-Close System

CODE	DESCRIPTION	FINISH	Size (mm)
TA-2343	Soft-Close	Grey	55kg to 85kg
TA-2346	Soft-Close	Grey	25kg to 55kg



Carter For 35mm Thickness Sliding Fitting System

CODE	DESCRIPTION	FINISH	SIZE (mm)
TA-2347	Carter	Aluminium Anodized	1500



Stick On Dust Strip

CODE	DESCRIPTION	FINISH	SIZE (mm)
TA-1091	Brush Seal	Grey	13 x 7



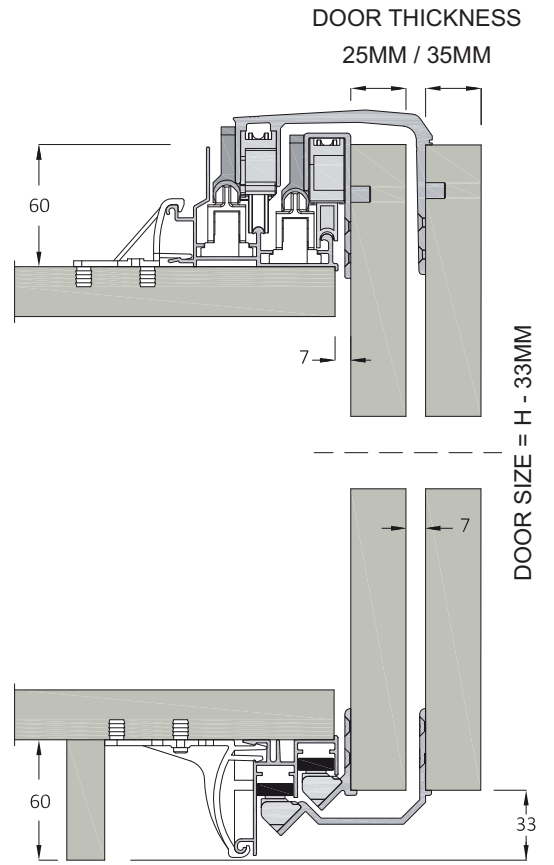
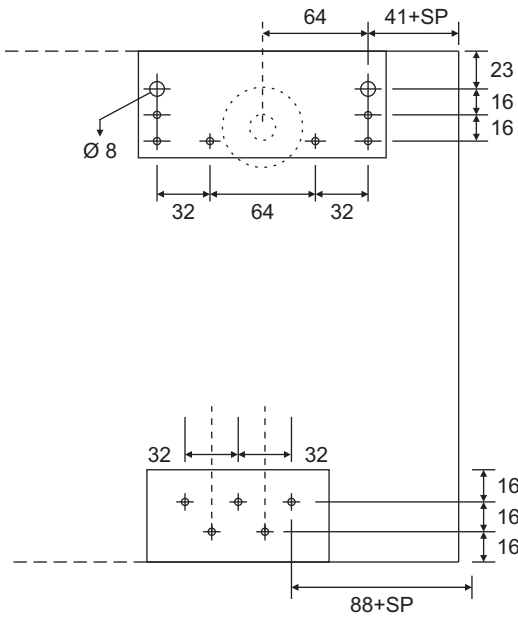
Technical Instruction:

General Information:

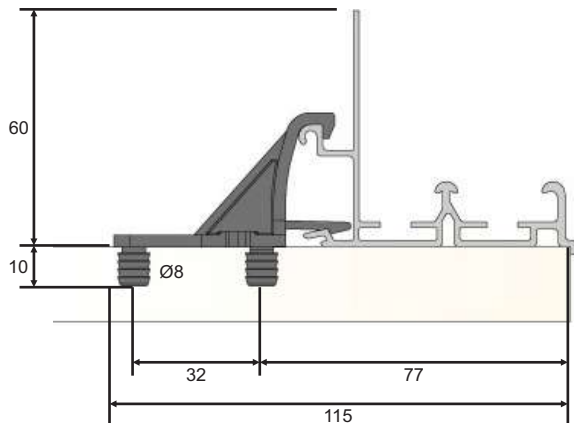
Load capacity 85kg per door tested by Catas.
 Door thickness up to 25mm or 35mm.
 Soft closing and soft opening device.
 Sliding unit for 33mm height between door and floor.
 Suitable handle profile and doors frame profile available.

System Dimension:

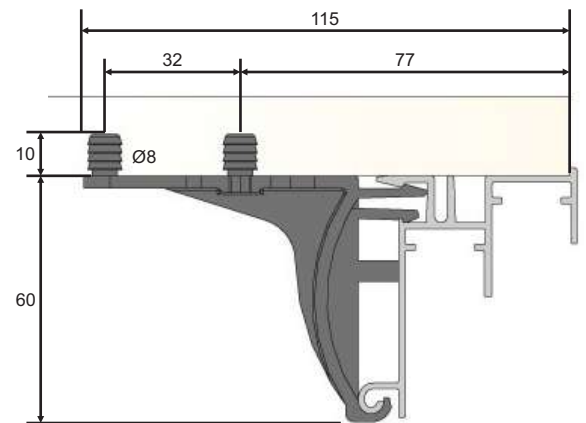
Door Millings:



Top Rail & Clip



Bottom Rail & Clip





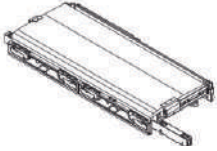
**Online Coplanar
Sliding System**

Online Coplanar Sliding System For Two Door (85kg)

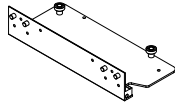
Left Sliding Unit

CODE	DESCRIPTION	FINISH	Size (mm)
TA-3750.2	Left + Right	Aluminium Anodized	1200 to 1600

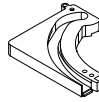
Upper Left Truck



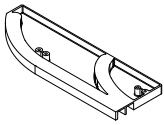
Lower Left Truck



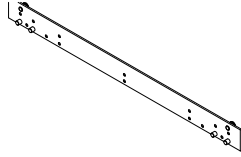
Upper Left Curve



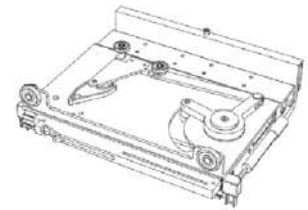
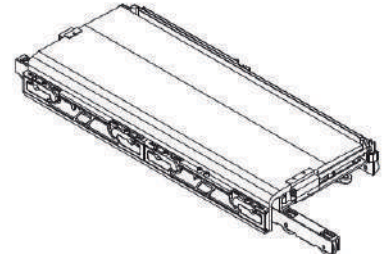
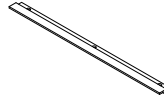
Lower Left Curve



Upper Door Fixing Plate



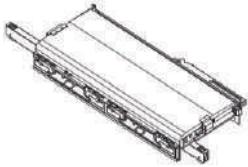
Two Fixing Clips 290mm



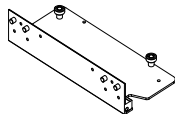
Wheel Tube Stabilizer in FRONT POSITION

Right Sliding Unit

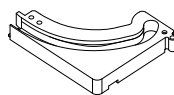
Upper Right Truck



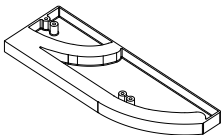
Lower Right Truck



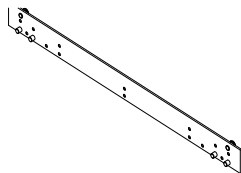
Upper Right Curve



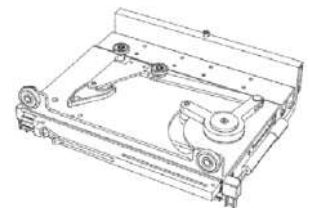
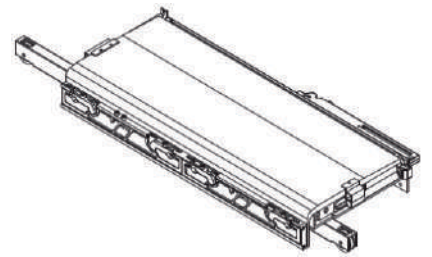
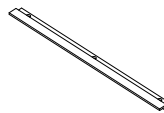
Lower Right Curve



Upper Door Fixing Plate



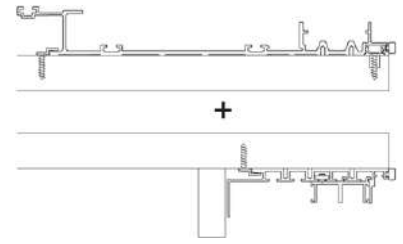
Two Fixing Clips 290mm



Wheel Tube Stabilizer in BACK POSITION

Top & Bottom Aluminium Rail

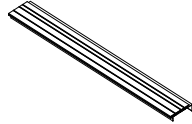
CODE	DESCRIPTION	FINISH	SIZE (mm)
TA-3753.20	Top & Bottom	Aluminium Anodized	2000
TA-3753.25	Top & Bottom	Aluminium Anodized	2500
TA-3753.40	Top & Bottom	Aluminium Anodized	4000



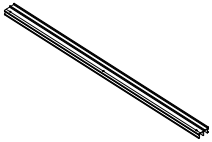
Lower Aluminium Rail



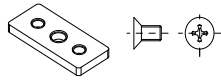
Top Aluminium Rail



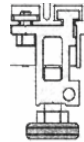
Lower Inner Profile



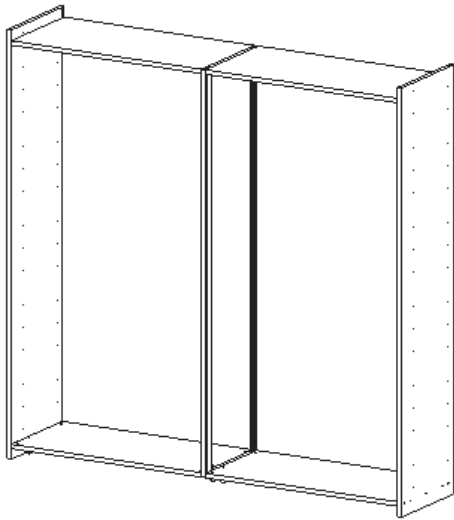
Metal Plate + 5 M4x10 Screw



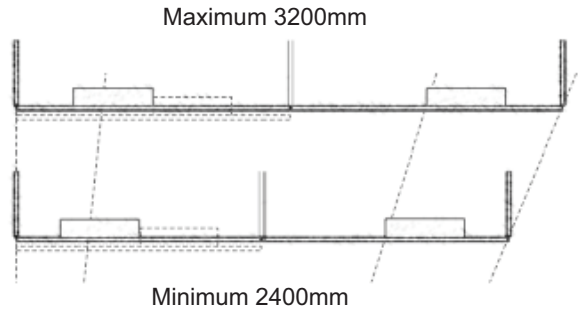
Adjustable Levelers



Technical Instruction:



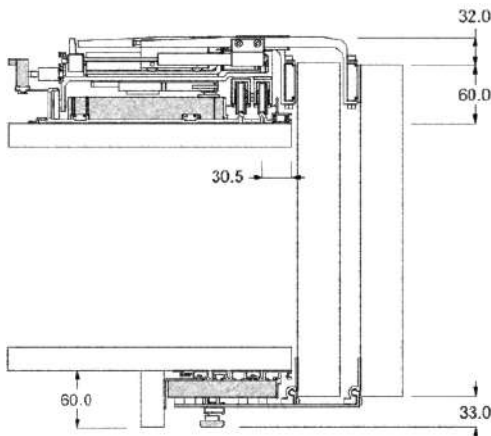
- Load capacity 85kg per door tested by Catas.
- Door thickness up to 45mm.
- Soft Closing and Soft Opening.
- Cuttable in every customized measure.
- No grooving or milling in panels required for installation.
- Door range from 1200mm up to 1600mm.



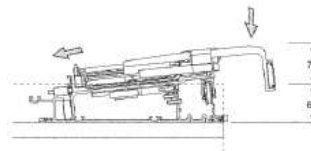
Doors Opening Direction



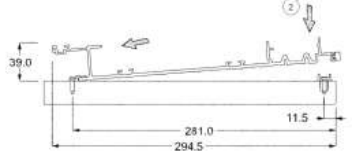
Technical Details



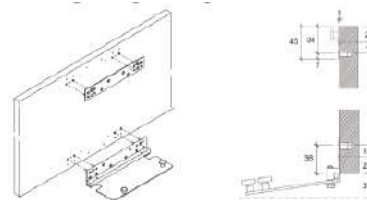
Easy Trucks Intallation



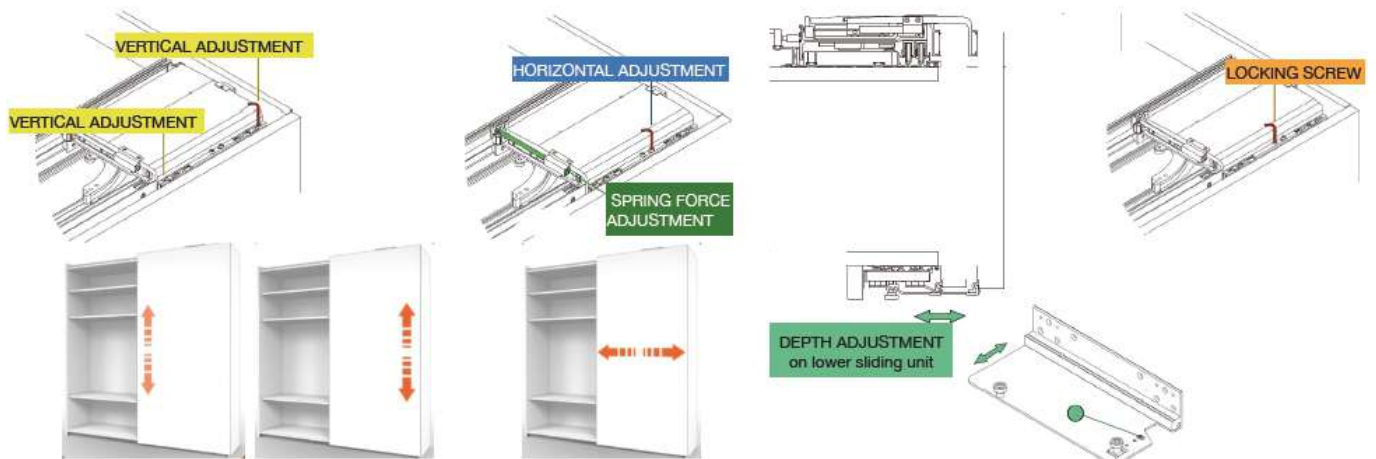
Easy Clip Fixing on the Rail



No Milling And Grooving Required



Three-Dimensional Adjustment

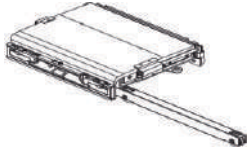


Online Coplanar Sliding System For Two Door (55kg)

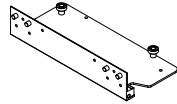
Left Sliding Unit

CODE	DESCRIPTION	FINISH	Size (mm)
TA-3751.2	Left + Right	Aluminium Anodized	750 to 1200

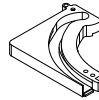
Upper Left Truck



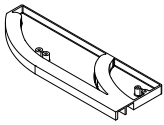
Lower Left Truck



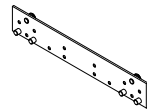
Upper Left Curve



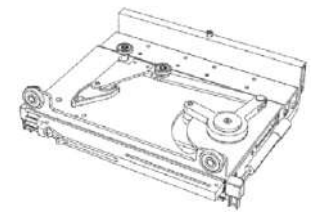
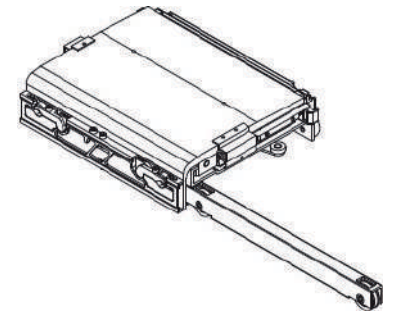
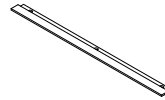
Lower Left Curve



Upper Door Fixing Plate



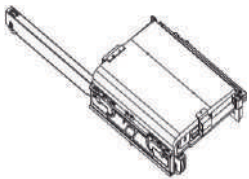
Two Fixing Clips 290mm



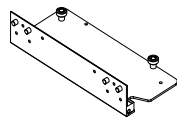
Wheel Tube Stabilizer in FRONT POSITION

Right Sliding Unit

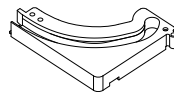
Upper Right Truck



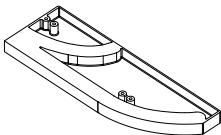
Lower Right Truck



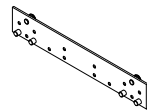
Upper Right Curve



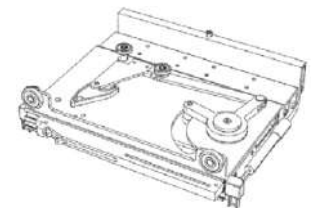
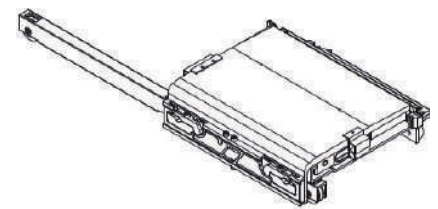
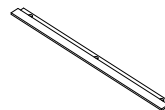
Lower Right Curve



Upper Door Fixing Plate



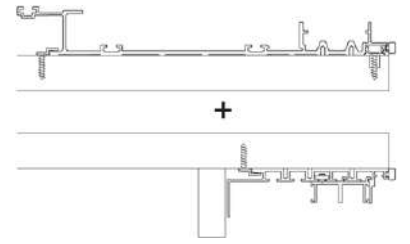
Two Fixing Clips 290mm



Wheel Tube Stabilizer in BACK POSITION

Top & Bottom Aluminium Rail

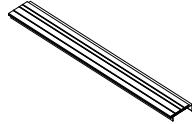
CODE	DESCRIPTION	FINISH	SIZE (mm)
TA-3753.20	Top & Bottom	Aluminium Anodized	2000
TA-3753.25	Top & Bottom	Aluminium Anodized	2500
TA-3753.40	Top & Bottom	Aluminium Anodized	4000



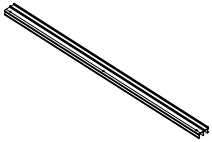
Lower Aluminium Rail



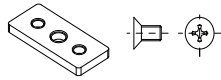
Top Aluminium Rail



Lower Inner Profile



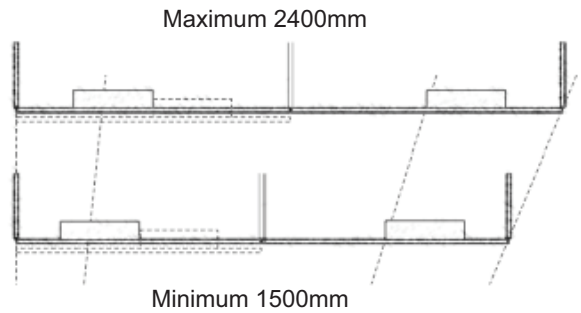
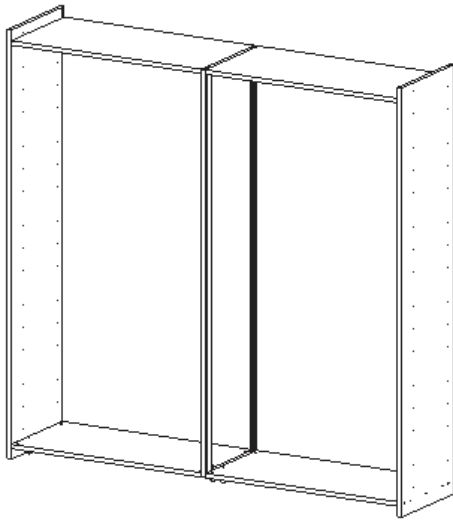
Metal Plate + 5 M4x10 Screw



Adjustable Levelers



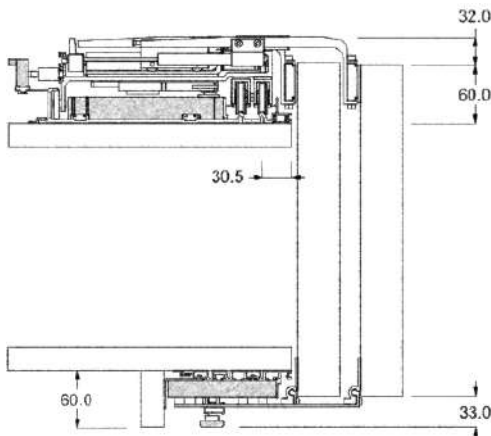
Technical Instruction:



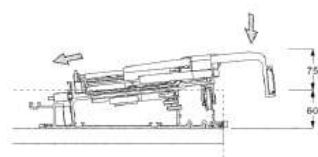
- Load capacity 55kg per door tested by Catas.
- Door thickness up to 45mm.
- Soft Closing and Soft Opening.
- Cuttable in every customized measure.
- No grooving or milling in panels required for installation.
- Door range from 750mm up to 1200mm.



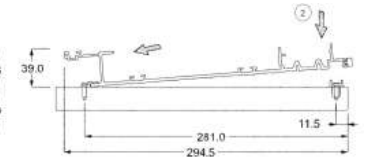
Technical Details



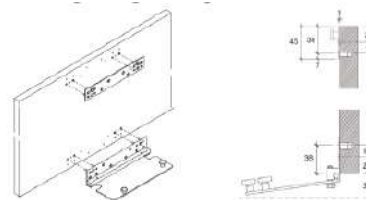
Easy Trucks Intallation



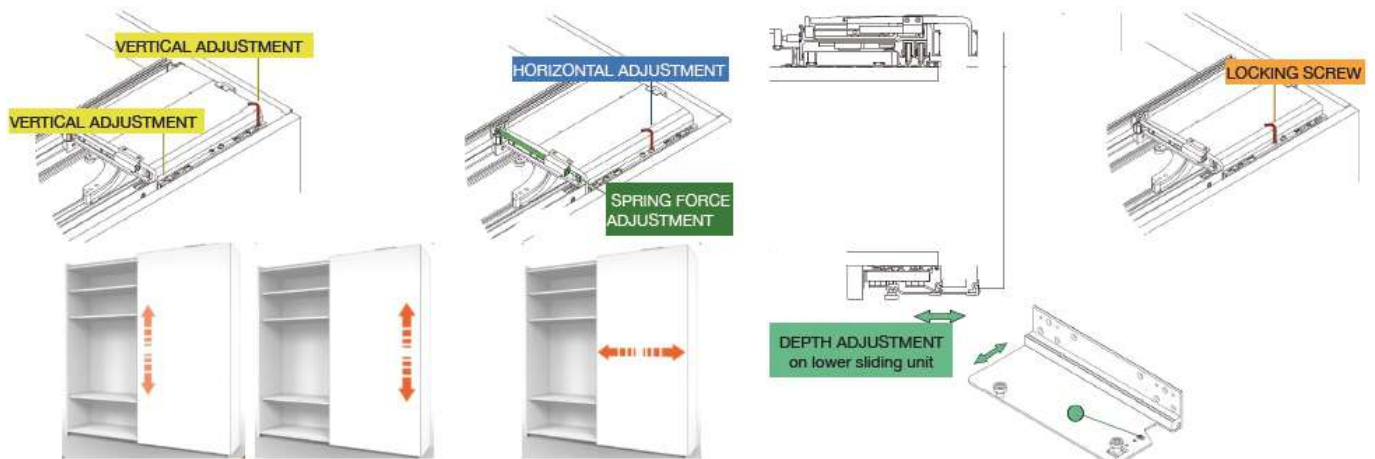
Easy Clip Fixing on the Rail



No Milling And Grooving Required



Three-Dimensional Adjustment

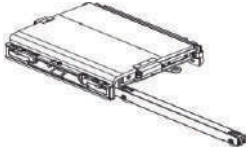


Online Coplanar Sliding System For Three Door (55kg)

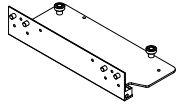
Left Sliding Unit

CODE	DESCRIPTION	FINISH	Size (mm)
TA-3751.3	Left + Right + Central	Aluminium Anodized	900 to 1150

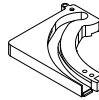
Upper Left Truck



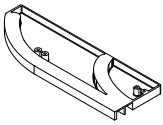
Lower Left Truck



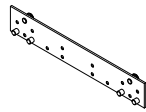
Upper Left Curve



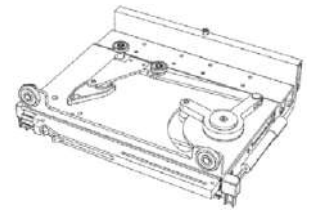
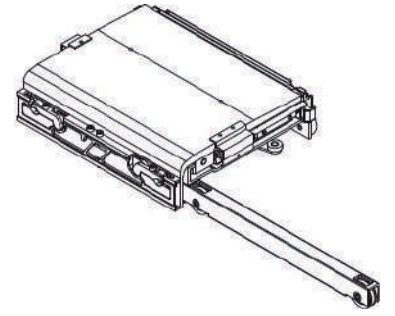
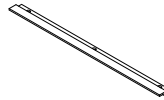
Lower Left Curve



Upper Door Fixing Plate



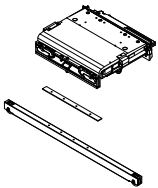
Two Fixing Clips 290mm



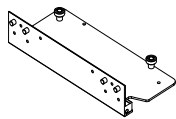
Wheel Tube Stabilizer in FRONT POSITION

Central Sliding Unit

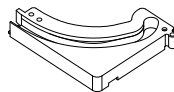
Upper Central Truck



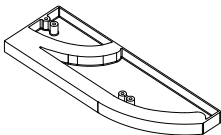
Lower Right Truck



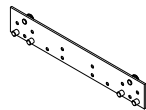
Upper Right Curve



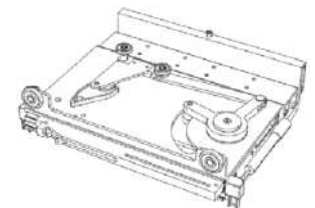
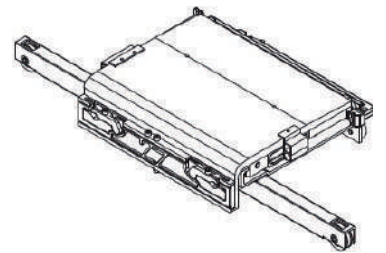
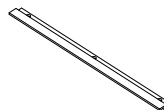
Lower Central Curve



Upper Door Fixing Plate



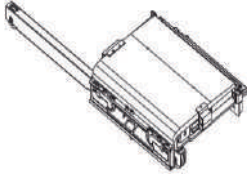
Two Fixing Clips 290mm



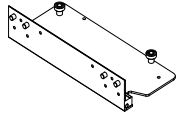
Wheel Tube Stabilizer in BACK POSITION

Right Sliding Unit

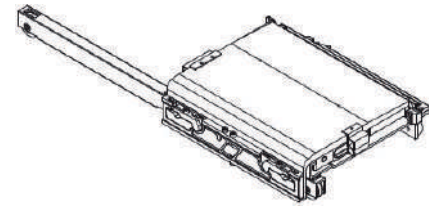
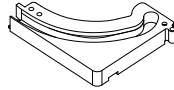
Upper Right Truck



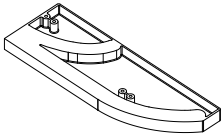
Lower Right Truck



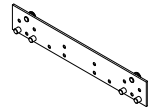
Upper Right Curve



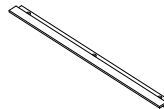
Lower Right Curve



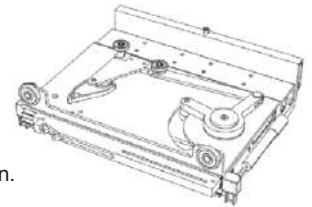
Upper Door Fixing Plate



Two Fixing Clips 290mm

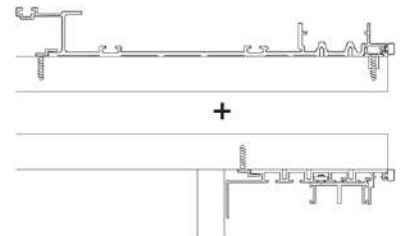


Wheel Tube Stabilizer in FRONT POSITION
Change position of the wheel tube stabilizer and move it in front position. This operation is needed only in the three doors application.

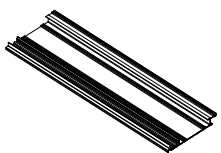


Top & Bottom Aluminium Rail

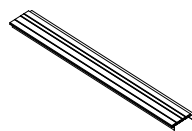
CODE	DESCRIPTION	FINISH	SIZE (mm)
TA-3753.20	Top & Bottom	Aluminium Anodized	2000
TA-3753.25	Top & Bottom	Aluminium Anodized	2500
TA-3753.40	Top & Bottom	Aluminium Anodized	4000



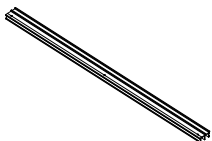
Lower Aluminium Rail



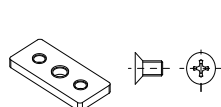
Top Aluminium Rail



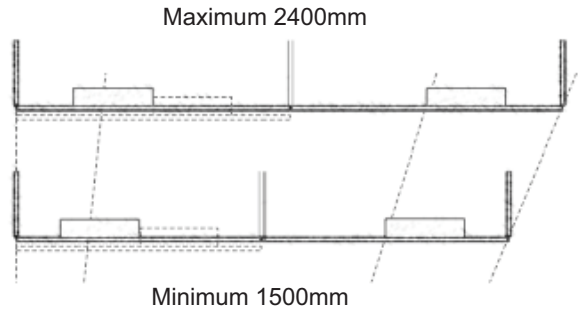
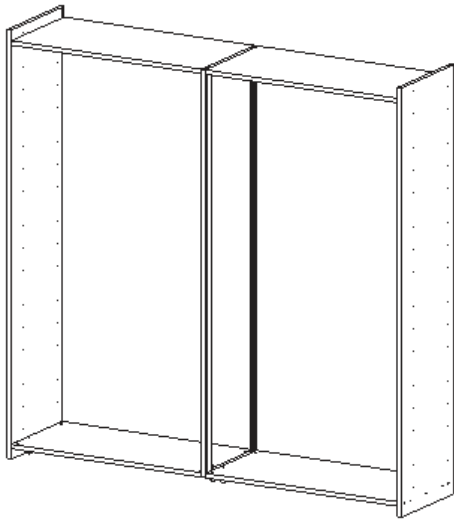
Lower Inner Profile



Metal Plate + 5 M4x10 Screw Adjustable Levelers

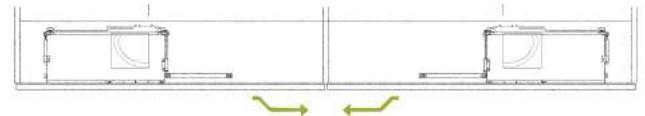


Technical Instruction:

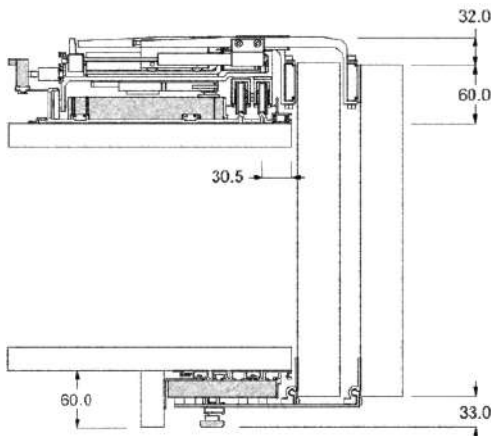


- Load capacity 55kg per door tested by Catas.
- Door thickness up to 45mm.
- Soft Closing and Soft Opening.
- Cuttable in every customized measure.
- No grooving or milling in panels required for installation.
- Door range from 750mm up to 1200mm.

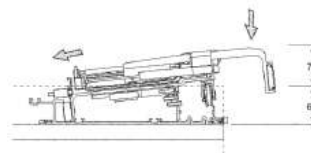
Doors Opening Direction



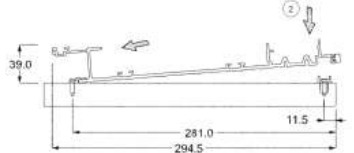
Technical Details



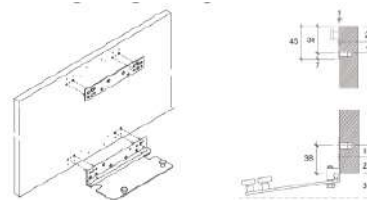
Easy Trucks Intallation



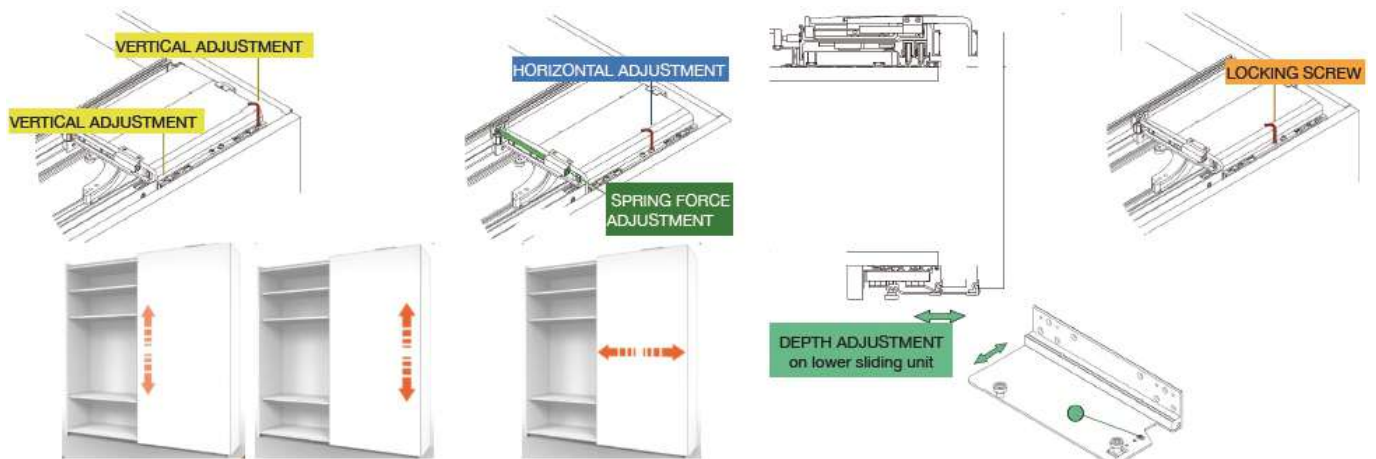
Easy Clip Fixing on the Rail



No Milling And Grooving Required



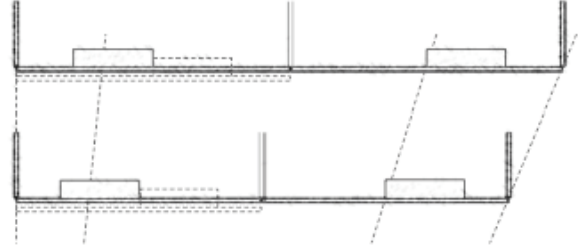
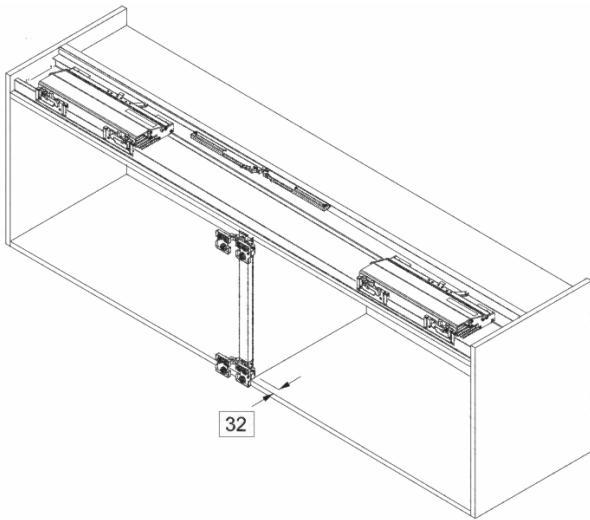
Three-Dimensional Adjustment



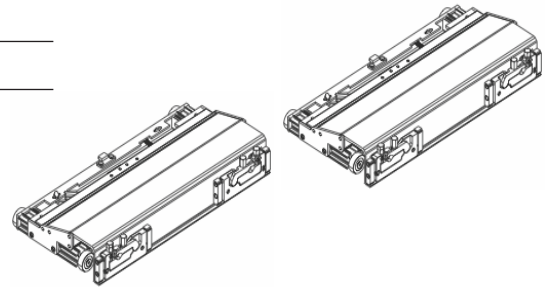


**Afil Coplanar
Sliding System**

Afil Coplanar Sliding System For Two Door (25kg)



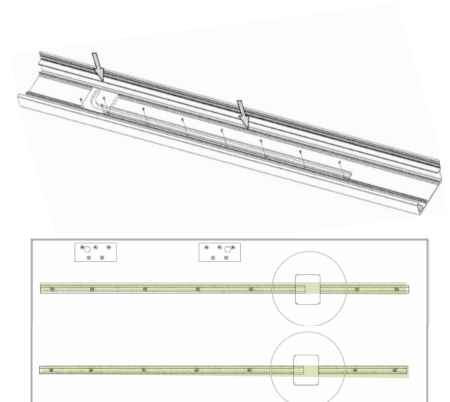
CODE	DESCRIPTION	FINISH	Size (mm)
TA-3755.2	2 Door	Aluminium Anodized	800 to 1300



Top & Bottom Aluminium Rail

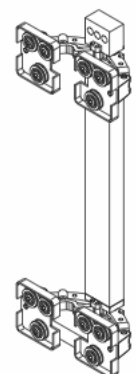
CODE	DESCRIPTION	FINISH	SIZE (mm)
TA-3757.20	Top & Bottom	Aluminium Anodized	2000
TA-3757.25	Top & Bottom	Aluminium Anodized	2500
TA-3757.40	Top & Bottom	Aluminium Anodized	4000

* TA-3757.40 Top & bottom Cuttable Rail For Afil Coplanar 3 Doors.

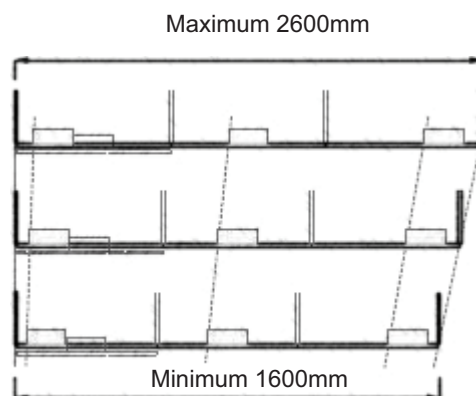
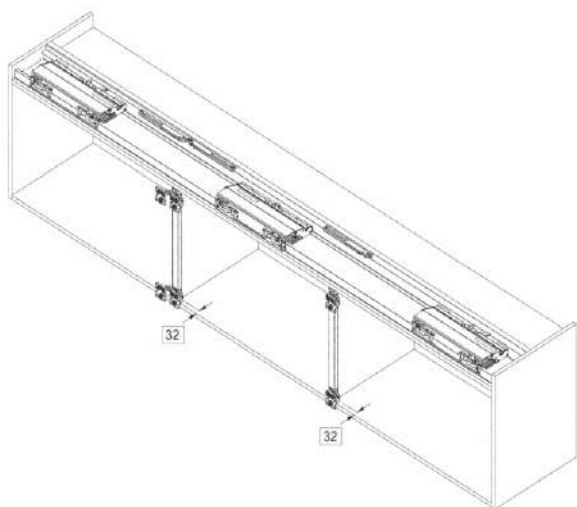


Vertical Synchro Cuttable Bar

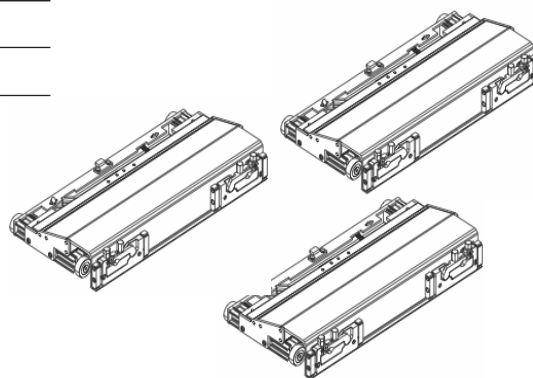
CODE	DESCRIPTION	FINISH	SIZE (mm)
TA-3758	Vertical Synchro	Aluminium Anodized	1200



Afil Coplanar Sliding System For Three Door (25kg)



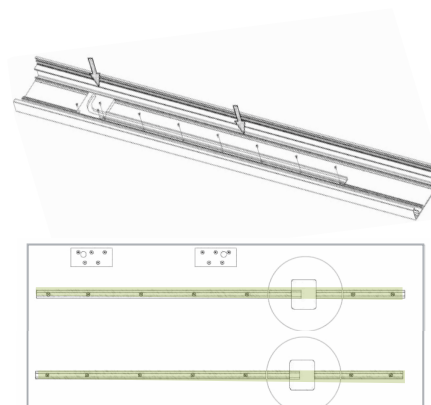
CODE	DESCRIPTION	FINISH	Size (mm)
TA-3755.3	3 Door	Aluminium Anodized	1167 to 1300



Top & Bottom Aluminium Rail

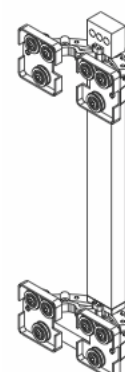
CODE	DESCRIPTION	FINISH	SIZE (mm)
TA-3757.20	Top & Bottom	Aluminium Anodized	2000
TA-3757.25	Top & Bottom	Aluminium Anodized	2500
TA-3757.40	Top & Bottom	Aluminium Anodized	4000

* TA-3757.40 Top & bottom Cuttable Rail For Afil Coplanar 3 Doors.

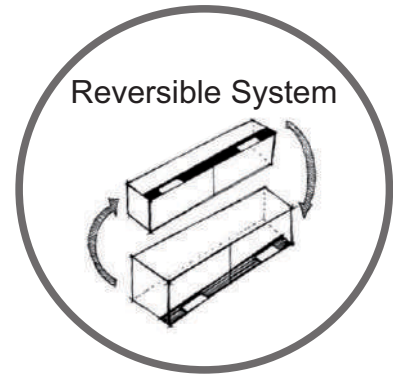


Vertical Synchro Cuttable Bar

CODE	DESCRIPTION	FINISH	SIZE (mm)
TA-3758	Vertical Synchro	Aluminium Anodized	1200

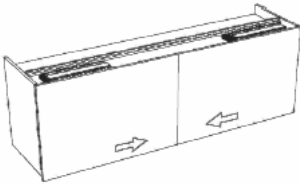


Technical Instruction:

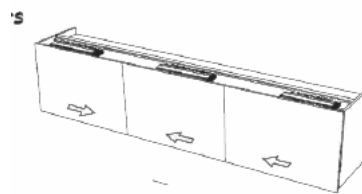


- Load capacity up to 55kg per door tested by Catas.
- Door thickness up to 40mm.
- Soft Closing and Soft Opening.
- Cuttable in every customized measure.
- No grooving or milling in panels required for installation.
- Available for two or three doors cabinet.
- Reversible system, same components for upper and lower cabinet.

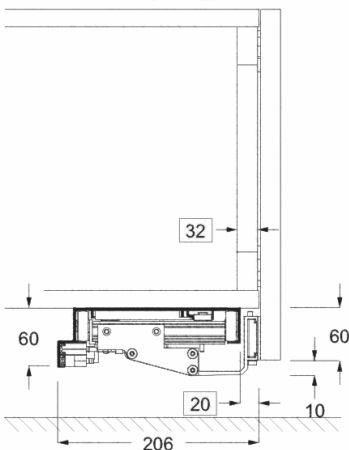
2 Door Application



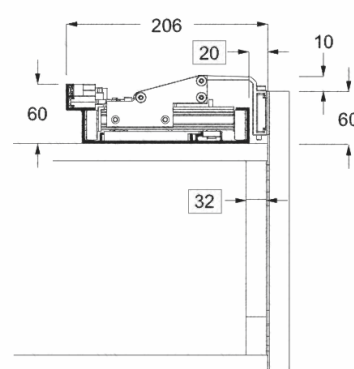
3 Door Application



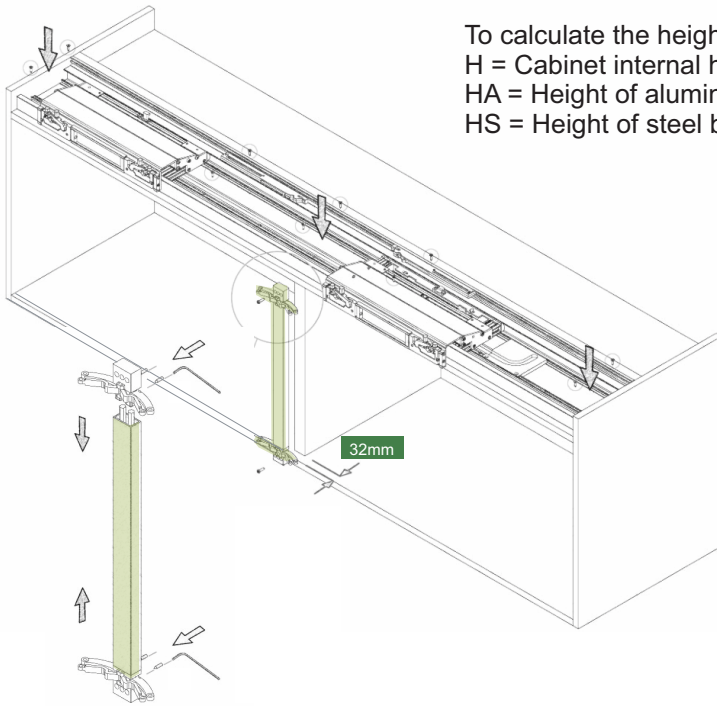
Application On Lower Cabinet



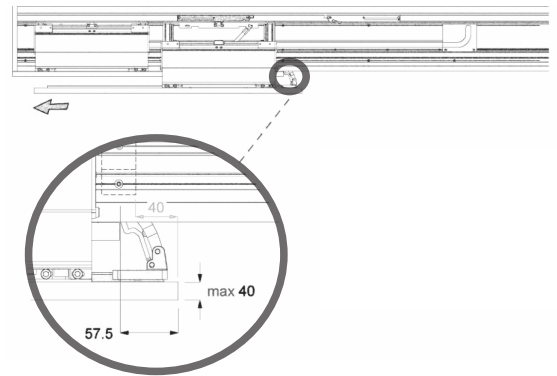
Application On Upper Cabinet



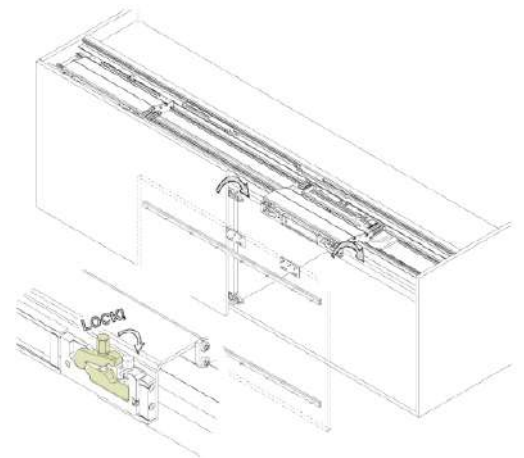
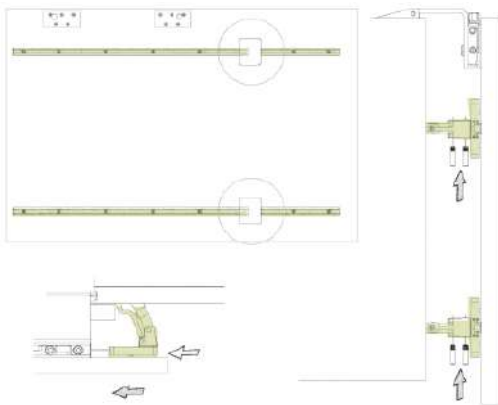
Synchro Cuttable Bar Installation:



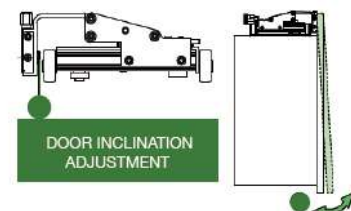
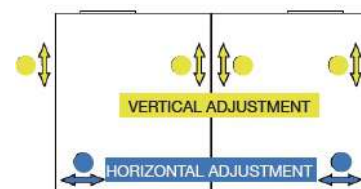
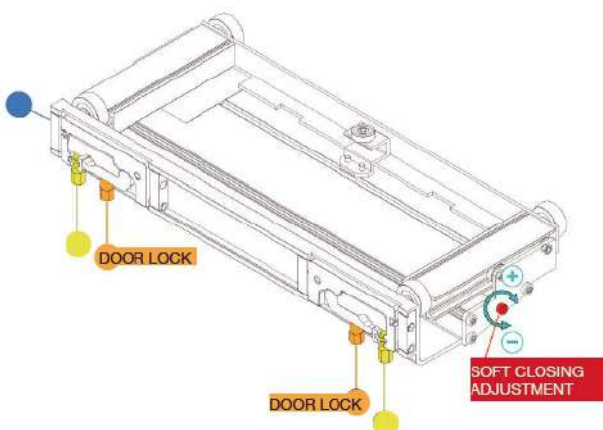
To calculate the height of the synchronizing bar
 $H = \text{Cabinet internal height} - 1\text{mm}$
 $HA = \text{Height of aluminium tube} = H - 100\text{mm}$
 $HS = \text{Height of steel bars} = HA + 35\text{mm}$



Easy doors installation, no grooving and milling required



3D Adjustments





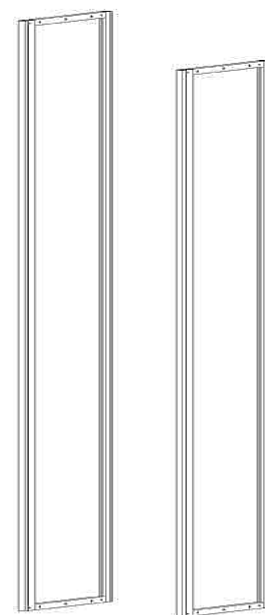
**Tetrix Structure Side Profile
For Sliding Wardrobe**

Tetrix Structural Side Profile

CODE	DESCRIPTION	FINISH	SIZE (mm)
TA-3651.26.L	Left	Brown Metal Grey	2617 x 578
TA-3651.24.L	Left	Brown Metal Grey	2425 x 578

CODE	DESCRIPTION	FINISH	SIZE (mm)
TA-3652.26.R	Right	Brown Metal Grey	2617 x 578
TA-3652.24.R	Right	Brown Metal Grey	2425 x 578

CODE	DESCRIPTION	FINISH	SIZE (mm)
TA-3653.26.C	Central	Brown Metal Grey	2617 x 578
TA-3653.24.C	Central	Brown Metal Grey	2425 x 578



Flexi LED Light

CODE	DESCRIPTION	FINISH	SIZE (mm)
TA-3610		Warm White	2700



Transformer And Cable For Flexi LED Light

CODE	DESCRIPTION	FINISH	SIZE (mm)
TA-3611	Transformer with cable		

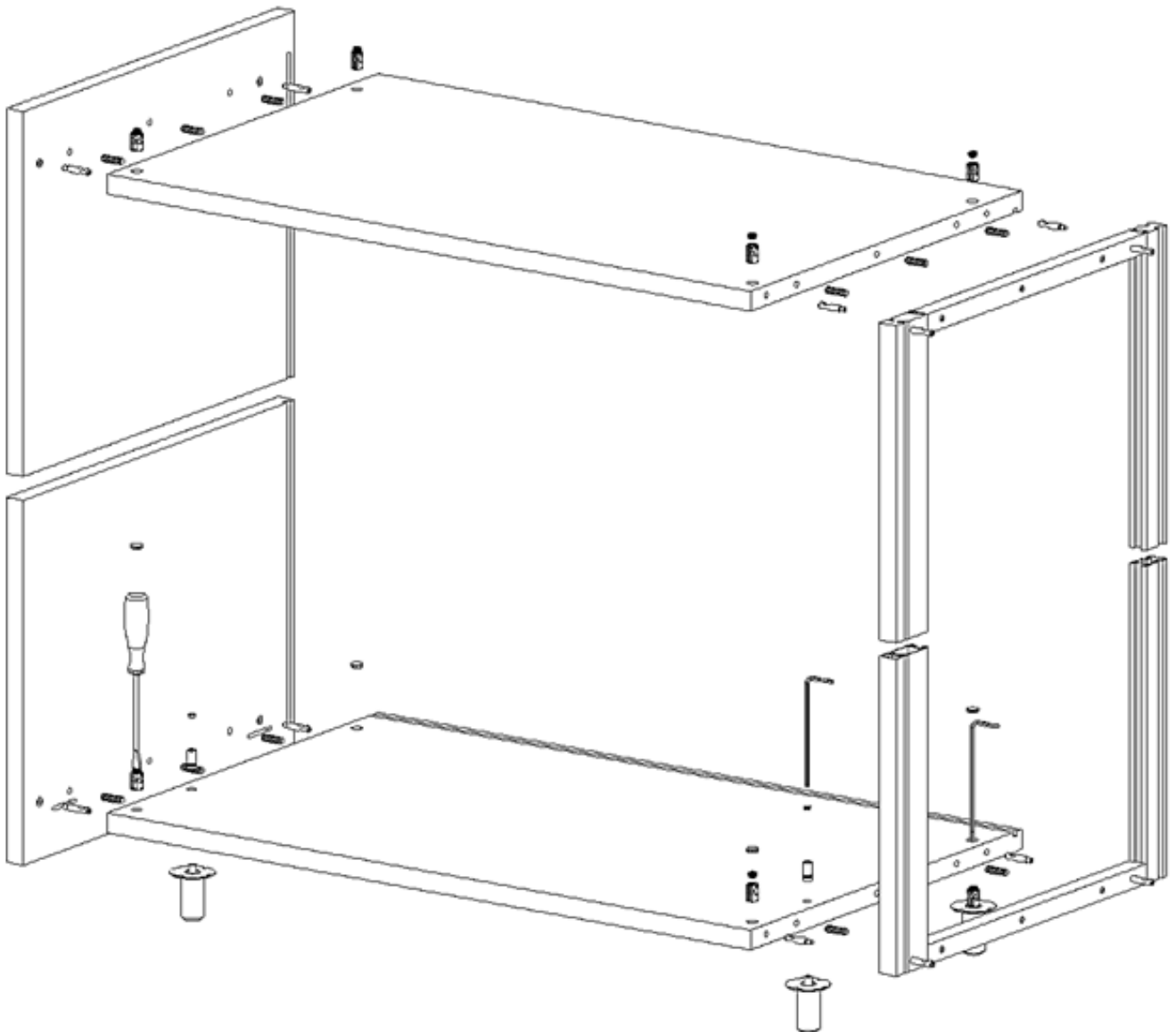


Set Of Connecting Fittings & Leveller

CODE	DESCRIPTION
TA-3759	Set of connecting fittings and levelers for sliding door wardrobe

Set of connecting fittings and levelers for sliding door wardrobe

- 
METAL COVER CUP
 8 pcs Nickel plated
 8 pcs Bronze plated
- 
Threaded Bush
 2 pc nickel plate
 2 pc bronze plate
- 
Adjustable leveler
 Height 60mm
 With barrel nut
 And conic screw
 2 pcs
- 
ALLEN KEY 4
 SIZE 40X140
 1 pcs
- 
BARREL NUT WITH CONIC SCREW
 8 sets
- 
Adjustable Leveler
 Height 60mm
 2 pcs
- 
BOLT INT. 21 THREAD M6
 8 pcs





Wardrobe Profile

Wardrobe Profile Frame Doors

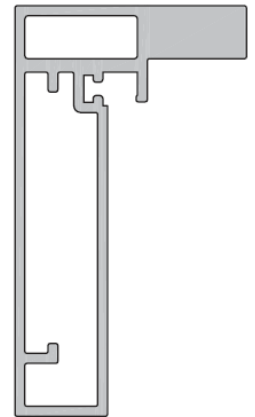
CODE	DESCRIPTION	FINISH	Size (mm)
TA-3658.26	Frame Door	Brown Metal Grey	2594 x 996
TA-3658.24	Frame Door	Brown Metal Grey	2392 x 996



Aluminium Wardrobe Profile

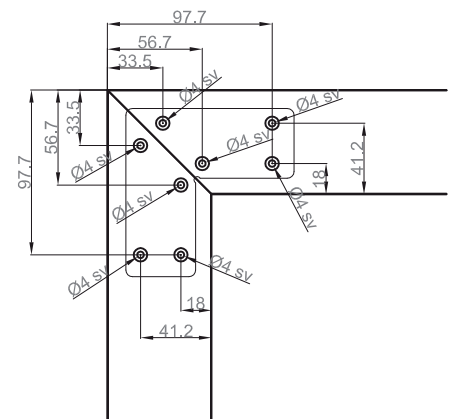
CODE	DESCRIPTION	FINISH	SIZE (mm)
TA-2321	Wardrobe Profile	Brown Metal Grey	3000

Glass Dimension :
Shelf Height Minus 21mm
Shelf Width Minus 21mm
Glass Thickness 4mm



Steel Connecting Plate

CODE	DESCRIPTION	FINISH	SIZE (mm)
TA-2322	Kit composed by 4 steel connecting plates and 8 M4 x 10 screws	Zinc	





Simply Wardrobe Profile

Simply Frame Door Internal Door

CODE	DESCRIPTION	FINISH	Size (mm)
TA-3660.26	Internal Frame Door	Brown Metal Grey	2584 x 996
TA-3660.24	Internal Frame Door	Brown Metal Grey	2392 x 996



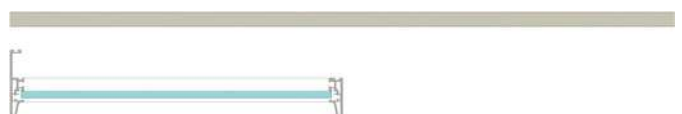
Simply Frame Door External Door

CODE	DESCRIPTION	FINISH	SIZE (mm)
TA-3661.26	External Frame Door	Brown Metal Grey	2584 x 996
TA-3661.24	External Frame Door	Brown Metal Grey	2392 x 996



Simply Frame Door External Door With High Handle

CODE	DESCRIPTION	FINISH	SIZE (mm)
TA-3662.26	External Frame Door	Brown Metal Grey	2584 x 996
TA-3662.24	External Frame Door	Brown Metal Grey	2392 x 996





External Panel Thickness 4-5mm
Door Frame Width -15mm
External Frame Height -10mm

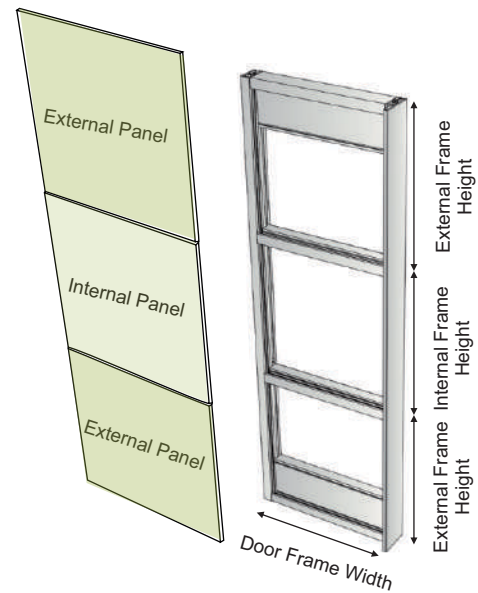
External Panel Thickness 6mm
Door Frame Width -13mm
External Frame Height -8mm

External Panel Thickness 10mm
Door Frame Width -19mm
External Frame Height -13mm

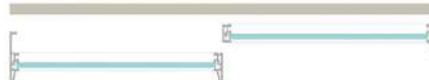
Internal Panel Thickness 4-5mm
Door Frame Width -15mm
External Frame Height -4mm

Internal Panel Thickness 6mm
Door Frame Width -13mm
External Frame Height -2mm

Internal Panel Thickness 10mm
Door Frame Width -19mm
External Frame Height -8mm



2 Doors

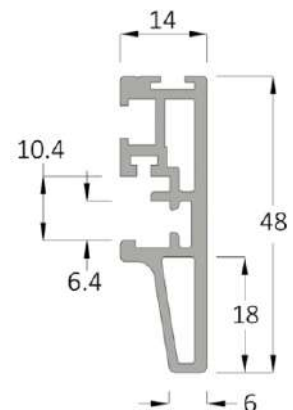


3 Doors



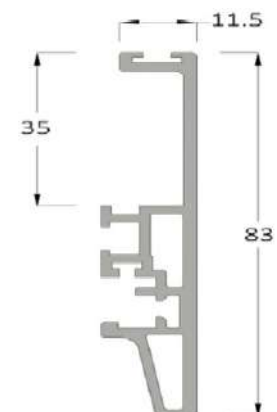
Handle Profile

CODE	DESCRIPTION	FINISH	SIZE (mm)
TA-2501	Handle Profile	Brown Metal Grey	2650



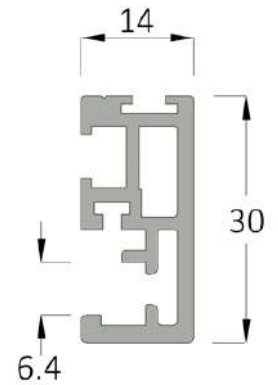
High Handle Profile

CODE	DESCRIPTION	FINISH	SIZE (mm)
TA-2502	High Handle Profile	Brown Metal Grey	25650



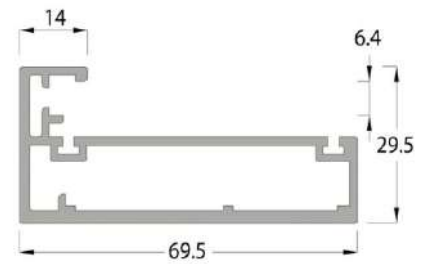
Counter Handle Profile

CODE	DESCRIPTION	FINISH	Size (mm)
TA-2503	Counter Handle	Brown Metal Grey	2650



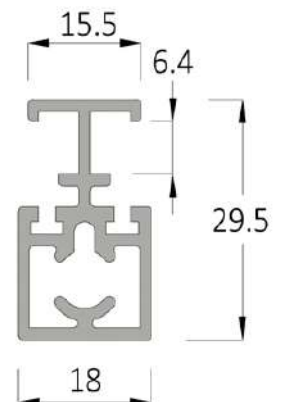
Top & Bottom Horizontal Profile

CODE	DESCRIPTION	FINISH	SIZE (mm)
TA-2504	Horizontal Profile	Brown Metal Grey	2700



Intermediate Horizontal Profile

CODE	DESCRIPTION	FINISH	SIZE (mm)
TA-2505	Intermediate Profile	Brown Metal Grey	2700



Connecting Fitting

CODE	DESCRIPTION	FINISH	Size (mm)
TA-2506	Zamak joint for top & bottom horizontal profile	Black	
TA-2507	Plastic joint for Intermediate horizontal profile	Black	



Seal For Glass Thickness 4mm

CODE	DESCRIPTION	FINISH	SIZE (mm)
TA-2508	Seal for glass	Transparent	2600



Dust Stopper

CODE	DESCRIPTION	FINISH	SIZE (mm)
TA-2509	Brush dust stopper	Grey	13 x 7

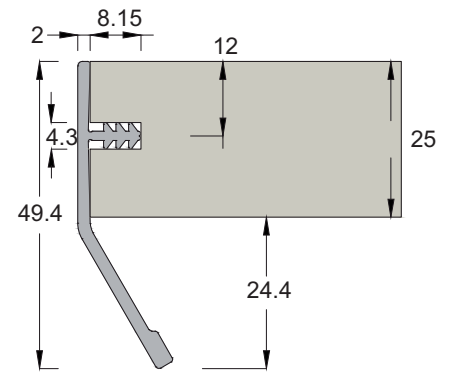


Handle Profile For 25mm Panel Thickness



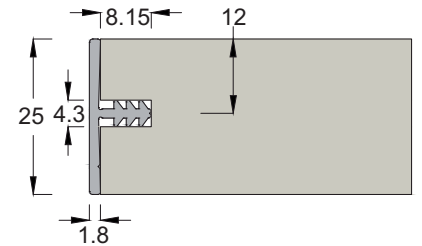
Handle Profile

CODE	DESCRIPTION	FINISH	SIZE (mm)
TA-2331	Handle Profile	Brown Metal Grey	2650



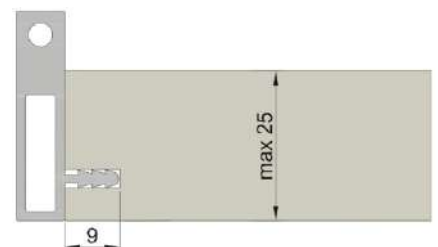
Edge Handle Profile

CODE	DESCRIPTION	FINISH	SIZE (mm)
TA-2332	Counter Handle Profile	Brown Metal Grey	2650

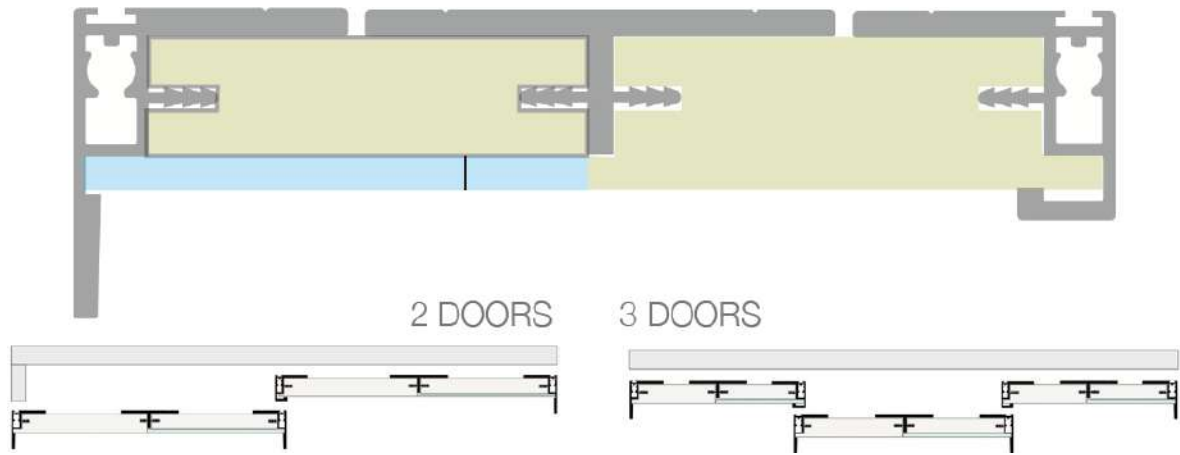


Handle Profile

CODE	DESCRIPTION	FINISH	SIZE (mm)
TA-2310	Handle Profile	Brown Metal Grey	2650

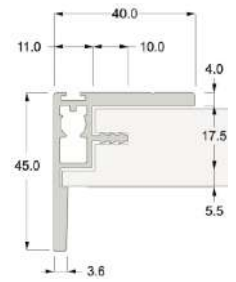
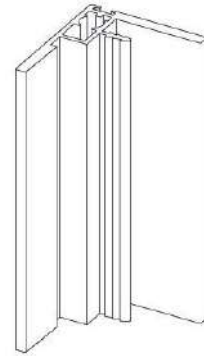


Handle Profile For 18-23mm Panel Thickness



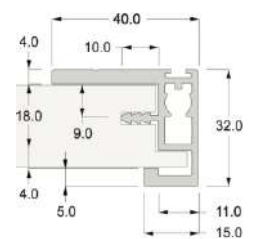
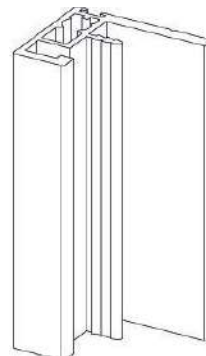
Handle Profile

CODE	DESCRIPTION	FINISH	SIZE (mm)
TA-3671	Handle Profile	Brown Metal Grey	2650



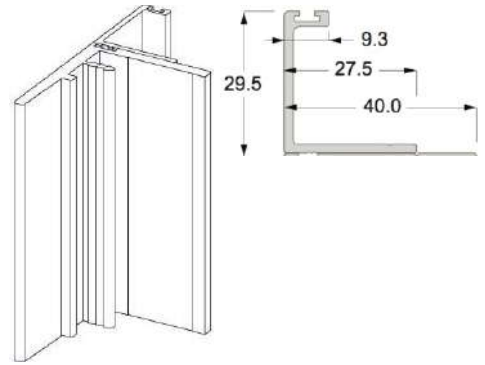
Counter Handle Profile

CODE	DESCRIPTION	FINISH	SIZE (mm)
TA-3672	Counter Handle Profile	Brown Metal Grey	2650



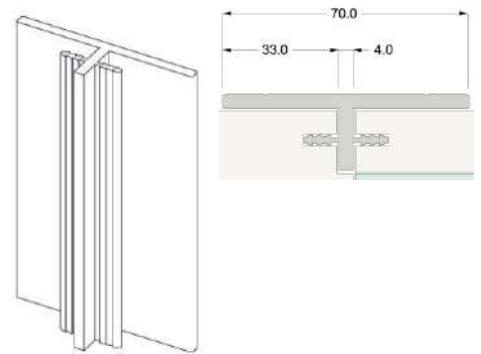
Side Closing Profile For Handle

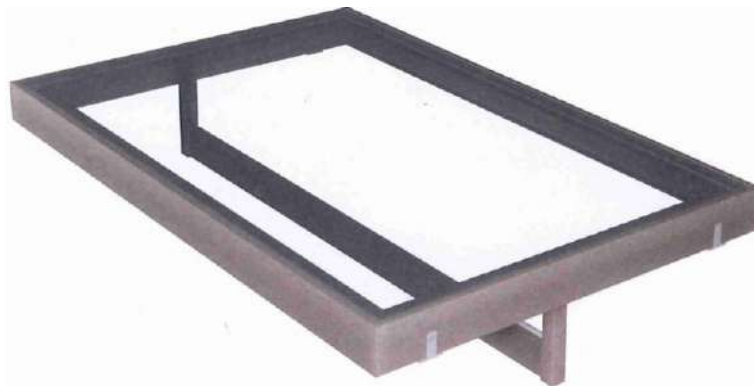
CODE	DESCRIPTION	FINISH	Size (mm)
TA-3673	Side closing profile	Brown Metal Grey	2650



Intermediate Profile

CODE	DESCRIPTION	FINISH	SIZE (mm)
TA-1037	Intermediate Profile	Aluminium Anodized	2650

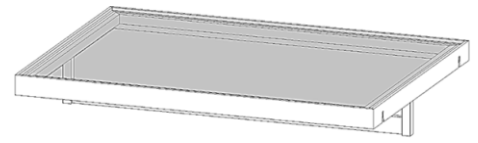




Lumix Shelf

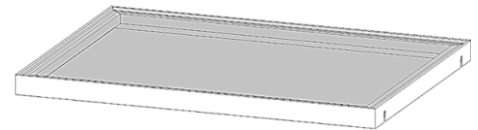
Ready Made Lumix Aluminium Shelf With Hanging Rod & Shelf Support

CODE	DESCRIPTION	FINISH	Size (mm)
TA-3772.120	Module - 1200	Brown Metal Grey	1200 x 500
TA-3772.96	Module - 960	Brown Metal Grey	960 x 500
TA-3772.66	Module - 660	Brown Metal Grey	660 x 500
TA-3772.90	Module - 900	Brown Metal Grey	900 x 500
TA-3772.60	Module - 600	Brown Metal Grey	600 x 500



Ready Made Lumix Aluminium Shelf & Shelf Support

CODE	DESCRIPTION	FINISH	Size (mm)
TA-3771.120	Module - 1200	Brown Metal Grey	1200 x 500
TA-3771.96	Module - 960	Brown Metal Grey	960 x 500
TA-3771.66	Module - 660	Brown Metal Grey	660 x 500
TA-3771.90	Module - 900	Brown Metal Grey	900 x 500
TA-3771.60	Module - 600	Brown Metal Grey	600 x 500



Ready Made Lumix Aluminium Shelf With Hanging Rod & Shelf Support With LED Strip & Difuser

CODE	DESCRIPTION	FINISH	Size (mm)
TA-3643.120	Module - 1200	Brown Metal Grey	1200 x 500
TA-3643.96	Module - 960	Brown Metal Grey	960 x 500
TA-3643.66	Module - 660	Brown Metal Grey	660 x 500
TA-3643.90	Module - 900	Brown Metal Grey	900 x 500
TA-3643.60	Module - 600	Brown Metal Grey	600 x 500



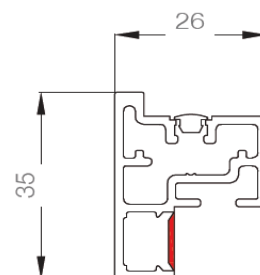
Ready Made Lumix Aluminium Shelf & Shelf Support With LED Strip & Difuser

CODE	DESCRIPTION	FINISH	Size (mm)
TA-3644.120	Module - 1200	Brown Metal Grey	1200 x 500
TA-3644.96	Module - 960	Brown Metal Grey	960 x 500
TA-3644.66	Module - 660	Brown Metal Grey	660 x 500
TA-3644.90	Module - 900	Brown Metal Grey	900 x 500
TA-3644.60	Module - 600	Brown Metal Grey	600 x 500



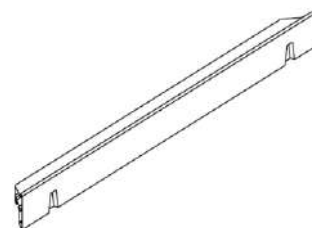
Lumix Profile For Lumix Aluminium Shelf

CODE	DESCRIPTION	FINISH	Size (mm)
TA-2373	Lumix Profile	Brown Metal Grey	3000



Milled Side Profile For Lumix Aluminium Shelf

CODE	DESCRIPTION	FINISH	Size (mm)
TA-2379	Milled Side Profile	Brown Metal Grey	500



Lumix Connector For Lumix Aluminium Shelf

CODE	DESCRIPTION	FINISH	Type
TA-2374	Lumix Connector	Black	Plastic



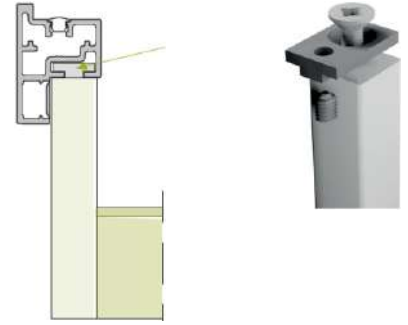
Shelf Support For Lumix Aluminium Shelf

CODE	DESCRIPTION	FINISH	Size (mm)
TA-2375	Shelf Support	Brown Metal Grey	



Connector For Rectangular Tube & Lumix Aluminium Shelf

CODE	DESCRIPTION	FINISH	Size (mm)
TA-2376	Connector	Zinc	



LED Light Cover Cap For Lumix Aluminium Shelf

CODE	DESCRIPTION	FINISH	Size (mm)
TA-3780	LED Light Cover Cap	Milky White	3000



Driver

CODE	DESCRIPTION	FINISH	Type
TA-3781	Driver		





RECTANGULAR TUBE



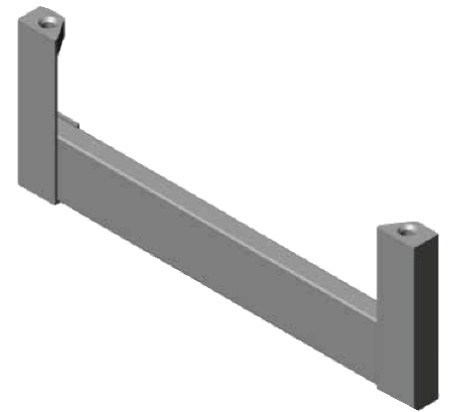
RASTER SUPPORT



SHOE RACK PROFILE

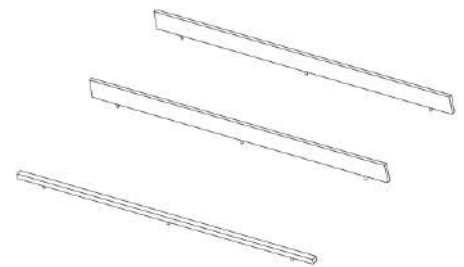
Wardrobe Rectangular Tube With Rubber Gasket (30mm x 10mm)

CODE	DESCRIPTION	FINISH	Size (mm)
TA-2361.120	Module - 1200	Brown Metal Grey	1149
TA-2361.96	Module - 960	Brown Metal Grey	909
TA-2361.66	Module - 660	Brown Metal Grey	606
TA-2361.90	Module - 900	Brown Metal Grey	849
TA-2361.60	Module - 600	Brown Metal Grey	549



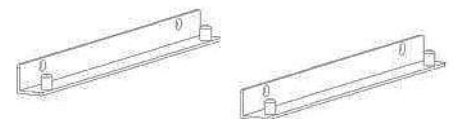
Ready Made Shoe Rack Profile Kit

CODE	DESCRIPTION	FINISH	SIZE (mm)
TA-3645.96	Shoe Rack Profile	Brown Metal Grey	880
TA-3645.66	Shoe Rack Profile	Brown Metal Grey	580



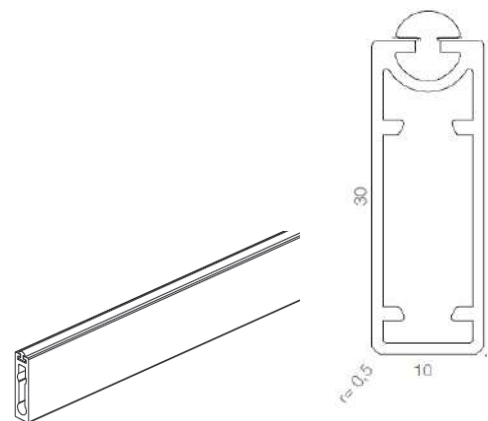
Raster Support 'L' Shape

CODE	DESCRIPTION	FINISH	SIZE (mm)
TA-3729	Raster	Brown Metal Grey	254 x 20 x 20



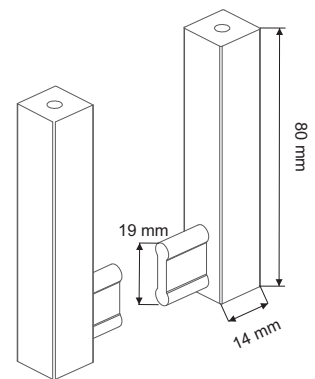
Wardrobe Rectangular Tube (30mm x 10mm)

CODE	DESCRIPTION	FINISH	Size (mm)
TA-2361.120	Module - 1200	Brown Metal Grey	1149
TA-2361.96	Module - 960	Brown Metal Grey	909
TA-2361.66	Module - 660	Brown Metal Grey	606
TA-2361.90	Module - 900	Brown Metal Grey	849
TA-2361.60	Module - 600	Brown Metal Grey	549



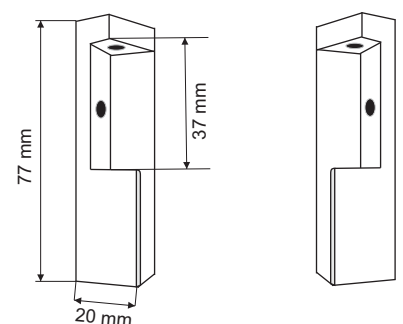
Wardrobe Rectangular Tube Support For Lumix Aluminium Shelf

CODE	DESCRIPTION	FINISH	SIZE (mm)
TA-2363	Tube Support	Brown Metal Grey	80 x 14



Wardrobe Tube Support For Wooden Top

CODE	DESCRIPTION	FINISH	SIZE (mm)
TA-2364	Tube Support	Brown Metal Grey	77 x 20





**Mix Box 100mm
(Metal Drawer)**

Ready Made Mix Box 100mm (Without Bottom & Slide)

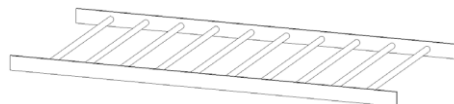
CODE	DESCRIPTION	FINISH	Size (mm)
TA-2391.120.44	Module - 1200	Brown Metal Grey	1123 x 448
TA-2391.96.44	Module - 960	Brown Metal Grey	883 x 448
TA-2391.66.44	Module - 660	Brown Metal Grey	583 x 448

CODE	DESCRIPTION	FINISH	Size (mm)
TA-2391.120.48	Module - 1200	Brown Metal Grey	1123 x 487
TA-2391.96.48	Module - 960	Brown Metal Grey	883 x 487
TA-2391.66.48	Module - 660	Brown Metal Grey	583 x 487



Trouser Holder

CODE	DESCRIPTION	FINISH	Size (mm)
TA-2395	Trouser Holder	Brown Metal Grey	825 x 390



Simil Leather Structural Drawer Bottom For Mix Box

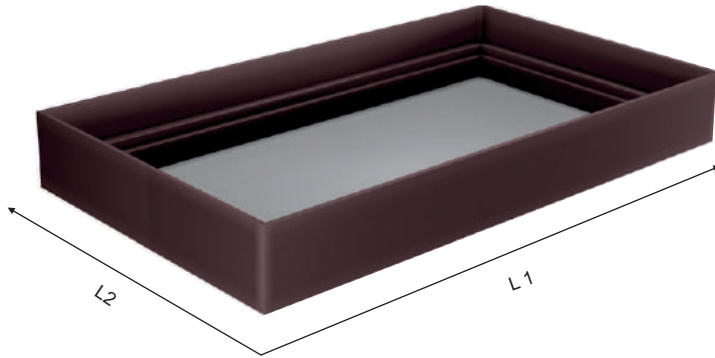
CODE	DESCRIPTION	FINISH	Size (mm)
TA-3728.120	Simil Leather	Anthracite	1065 x 429
TA-3728.96	Simil Leather	Anthracite	825 x 429
TA-3728.66	Simil Leather	Anthracite	525 x 429



Conceal Slide Full Extension Soft-Close

CODE	DESCRIPTION	FINISH	Size (mm)
TA-2396	Conceal Slide	Zinc	420
TA-2396	Conceal Slide	Zinc	470





Glass / Wood Bottom Panel Dimension :

Frame Depth (L2) Minus 58mm
 Frame Width (L1) Minus 58mm
 Glass Thickness 4mm

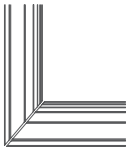
Basket Dimension :

L1 = Internal Wardrobe Width - 17mm
 L2 Min. = Nominal Length of the Slide
 L2 Max. = Nominal Length of the Slide + 49mm

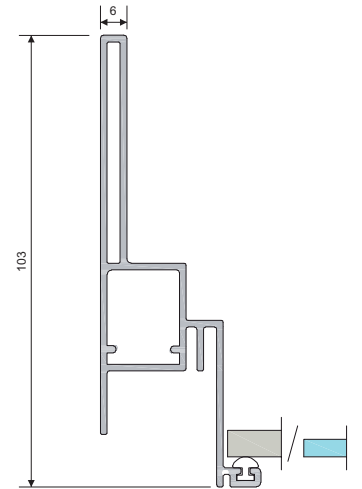
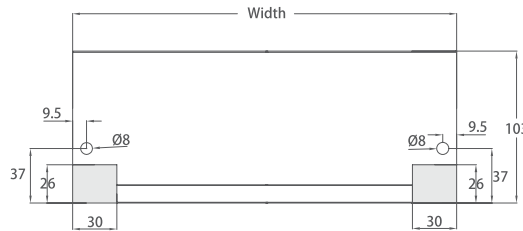
Mix Box 100mm (Metal Drawer) Profile

CODE	DESCRIPTION	FINISH	Size (mm)
TA-2393	Profile For Mix Box 100	Brown Metal Grey	3000

Easy To Cut At 45°

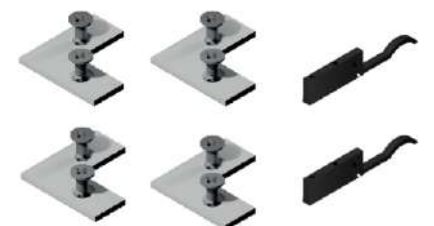


Milling For Slides Installation



Connecting Plate For Mix Box 100mm

CODE	DESCRIPTION	FINISH	Type
TA-2394	Connecting Plate	Zinc	



Bela Post Collection



CONCEPT :

Timeless accessories, able to organize space with elegance.

Simple and refined design combines with similar leather and fabric to furnish prestigious wardrobes, walk-in closets and living room furniture.

A wide choice of easy-to-use storage modules allows rapid changes in the organization of the elements accordingly to all storage needs. The modules are produced to fit nicely in every drawer. This makes it possible to organize the internal spaces in a number of different ways.

FEATURES :

The production of Belapost wardrobe accessories can be personalized. Design, width, depth, height of different accessories can be changed to fit the dimension required by customers.

A wide range of fabrics and leathers are available and can be combined to create unique collections of wardrobe accessories, shaped to your design, made with our quality.

Different combinations of modules can be used to equip a drawer. Thanks to this modularity possible combinations are endless.



Timepiece Holder

Jewellery Tray

Tie Tray



Code for order: TA-2411
External Box: Conaletto Walnut
Internal Box: Anthracite Simil Leather
Size (mm): 473 x 150 x 50

Code for order: TA-2412
External Box: Conaletto Walnut
Internal Box: Anthracite Simil Leather
Size (mm): 473 x 150 x 50

Code for order: TA-2413
External Box: Conaletto Walnut
Internal Box: Anthracite Simil Leather
Size (mm): 473 x 150 x 50



Leather Drawer Matt



Code for order: TA-2416
External Box: Conaletto Walnut
Internal Box: Anthracite Simil Leather
Size (mm): 473 x 12 mtr.



Box With Lid



Code for order: TA-2414
External Box: Anthracite Simil Leather
Internal Box: Dark Grey Velvet
Size (mm): 450 x 350 x 200

Box Without Lid



Code for order: TA-2415
External Box: Anthracite Simil Leather
Internal Box: Dark Grey Velvet
Size (mm): 400 x 260 x 80



Wardrobe Lift Down

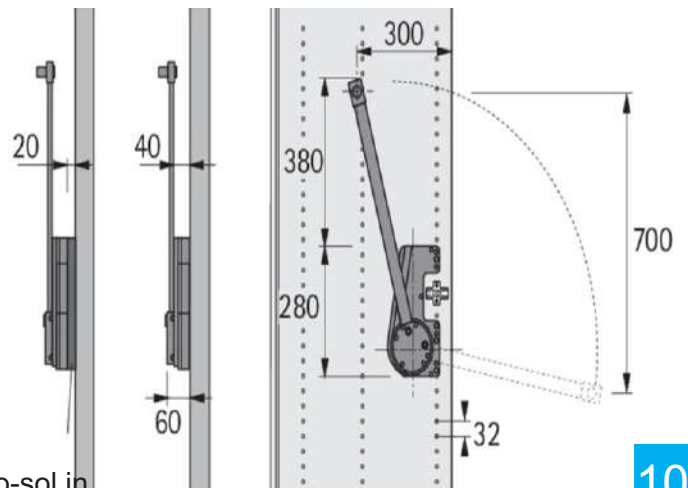
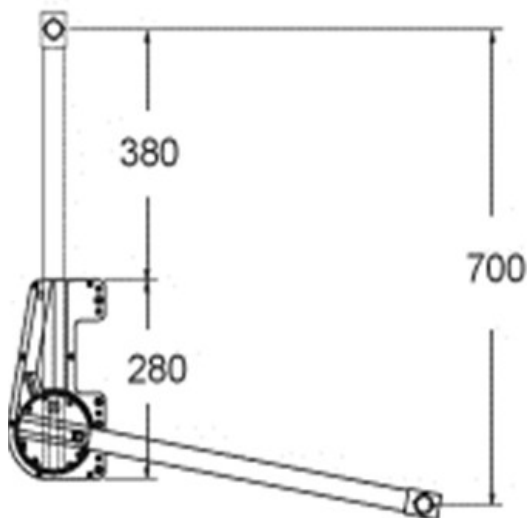
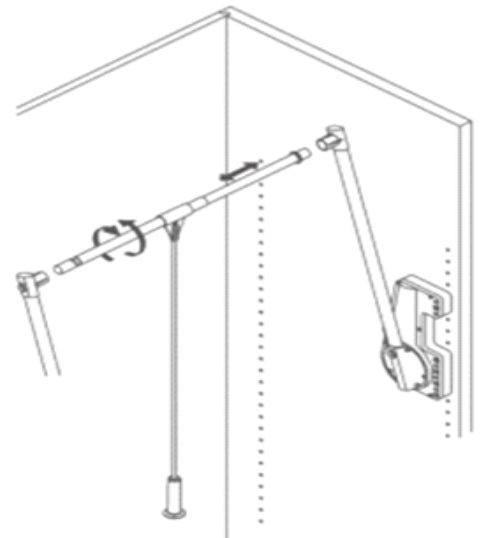
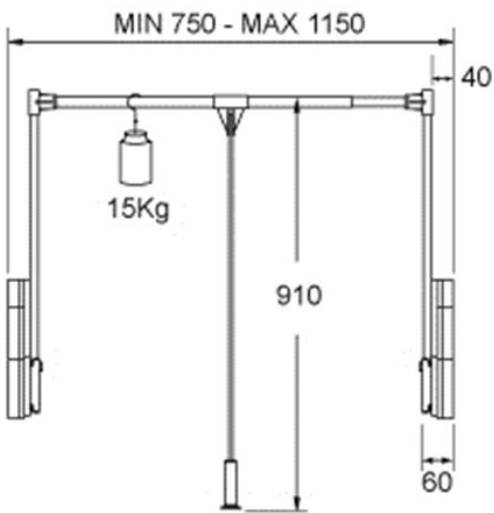


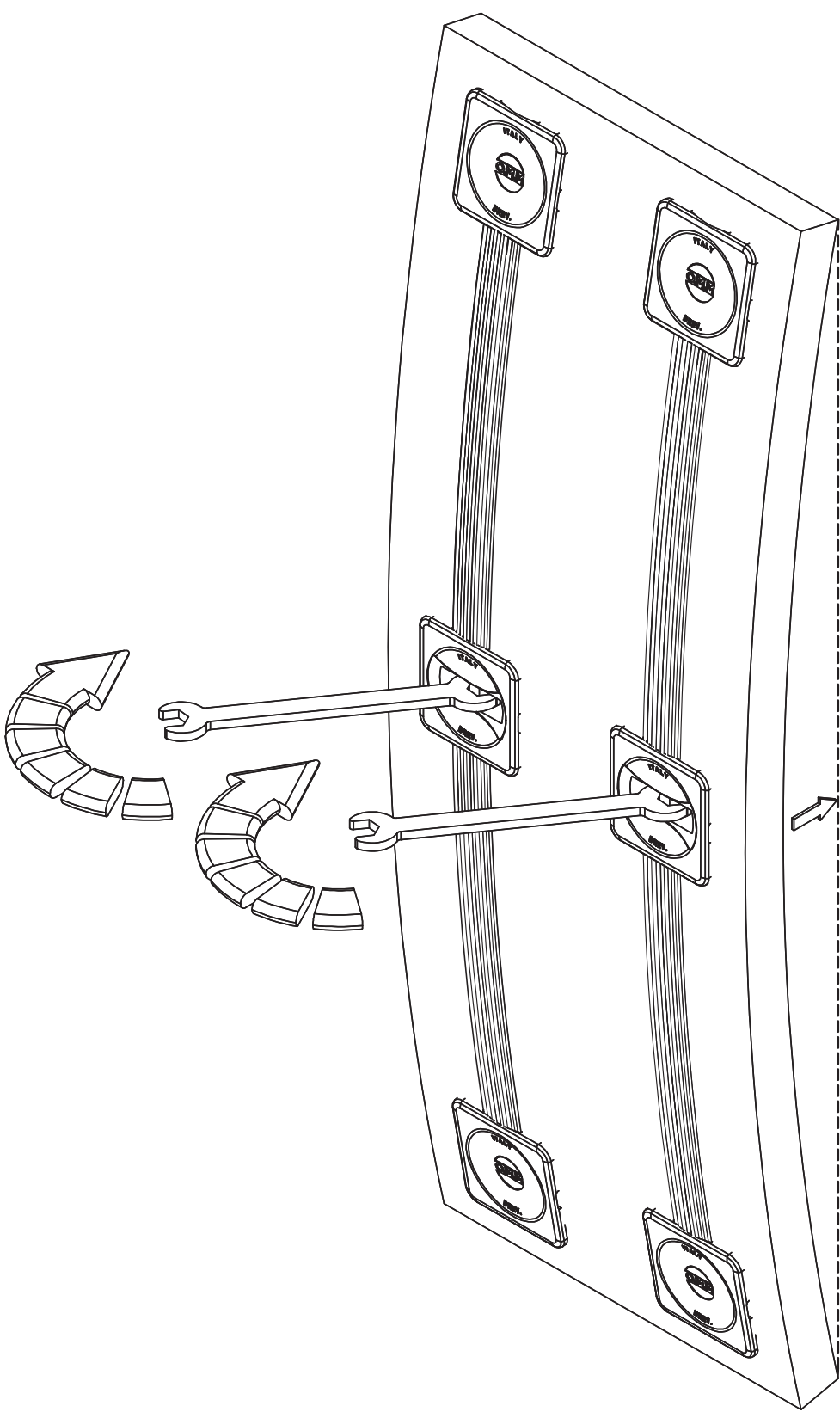
TA - 1014 is a mobile hanger that is highly versatile and practical due to its extremely easy assembly and good load capacity. It can be mounted in the wardrobe using solely system 32 holes, without the need to drill further holes. The specially shaped base means it can be mounted on the doors, avoiding door hinges and thus making the best use of the space available. The tilt of the arms means clothes can be pulled even further out of the wardrobe when using the lower part of the mobile rod.

- Special shape cover door hinges .
- Good load capacity (15kg).
- Easy, complete mounting on system 32 holes.
- Clothes can be pulled out further from the wardrobe due to tilting arm.
- Arms external to mechanism, avoiding scissor effect on hung garments.
- No bumpers required to soften the arm's descent.
- No oil.
- Two different colour GREY & BROWN.

CODE	DESCRIPTION	FINISH	Size (mm)
TA-1014.GR	Wardrobe Lift (15kg)	Grey	750 up to 1150
TA-1014.BR	Wardrobe Lift (15kg)	Brown	750 up to 1150
TA-1009.GR	Wardrobe Lift (10kg)	Grey	750 up to 1150

Technical Instruction

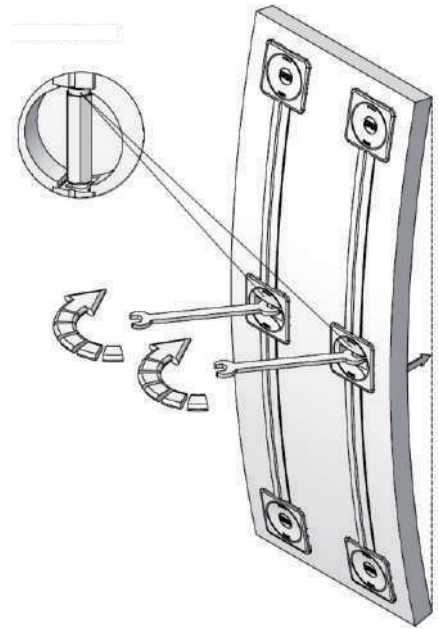




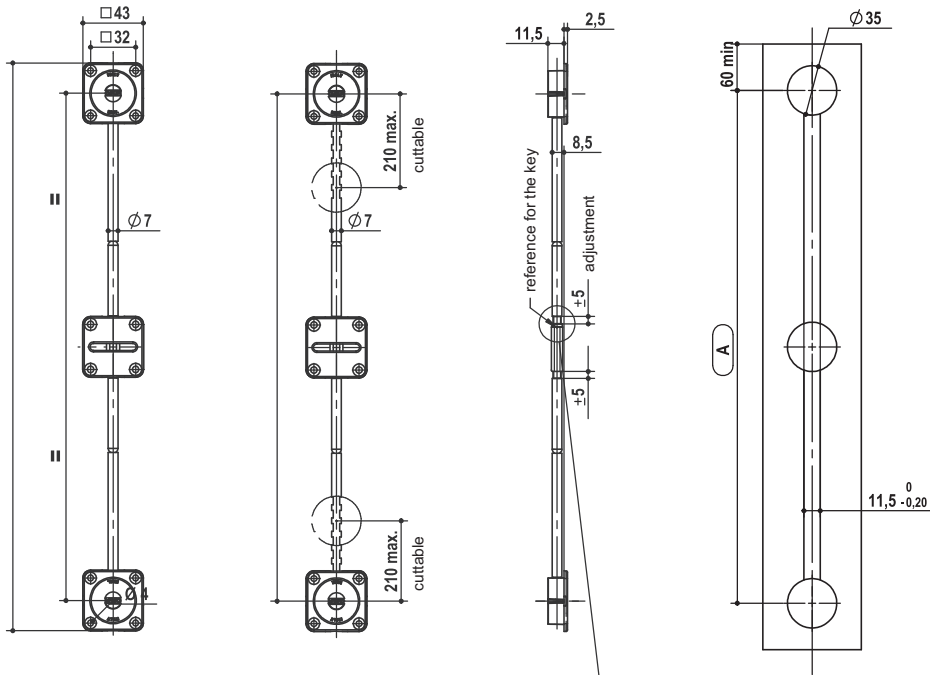
Wardrobe Panel Straighteners

Straightener With Central Adjustment

CODE	DESCRIPTION	FINISH	Size (mm)
TA-1019	Central Adjustment	White	2248



Technical Instruction



Normally assembled on wooden panels or agglomerates and hollow wood panels. Fixing with screws. Minimum thickness 16mm. Centre distance: 600mm up to 1200mm

6 Nm

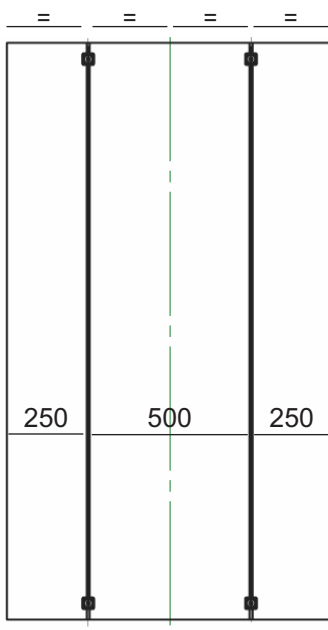
60 N

panel test 2500x400x20

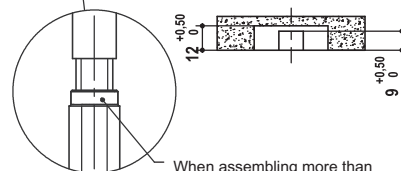
TORSION FORCE: 6N
HORIZONTAL FORCE: 60N
 (test report on panel dimension 2500x400x20)
ADJUSTMENT RANGE:
+/- 10MM

INSTALLATION SUGGESTION:
 2 pieces for door range from 600mm up 1200mm
 3 pieces for door range over than 1200mm

Example of application on 1000mm wide door
 W=1000mm :
 Straighteners = 2pcs



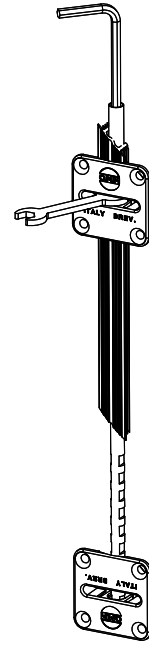
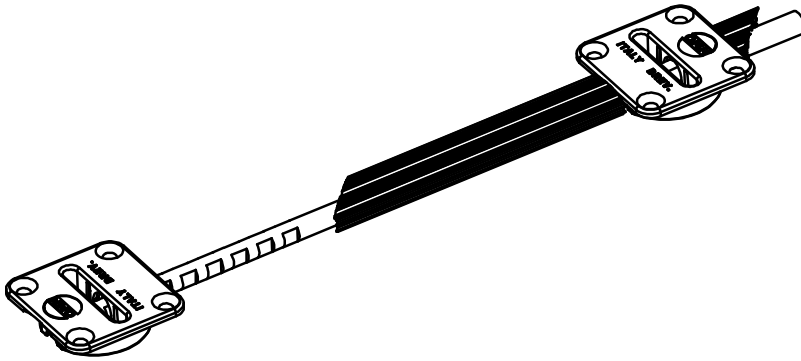
W = 1000mm



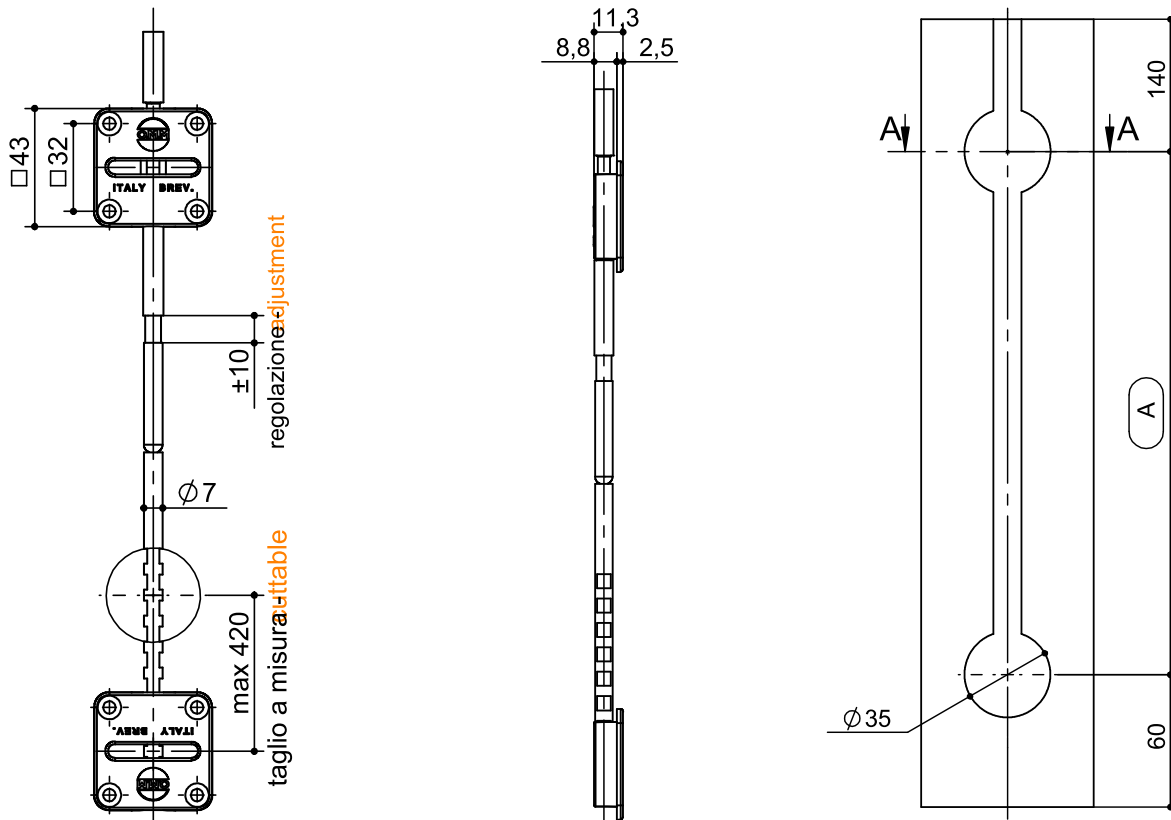
When assembling more than one tensioner, it is important to keep the key rotation reference on the same side.

Straightener With Double Adjustment

CODE	DESCRIPTION	FINISH	Size (mm)
TA-2432	Double Adjustment		2330



Technical Instruction



Straightener With Single Adjustment

CODE	DESCRIPTION	FINISH	Size (mm)
TA-2426	Single Adjustment	White	2330

Technical Instruction

Normally assembled on wooden panels or agglomerates and hollow wood panels.
Fixing with screws.
Minimum thickness 16mm.
Centre distance:
600mm up to 1200mm

6 Nm

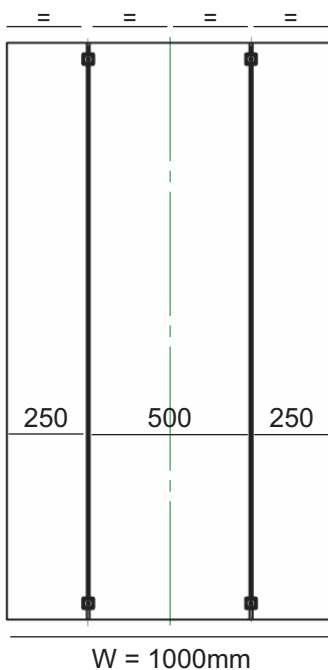
60 N

panel test 2500x400x20

TORSION FORCE: 6N
HORIZONTAL FORCE: 60N
(test report on panel dimension 2500x400x20)
ADJUSTMENT RANGE:
+/- 10MM

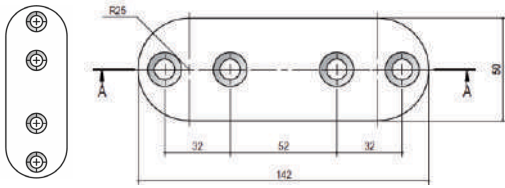
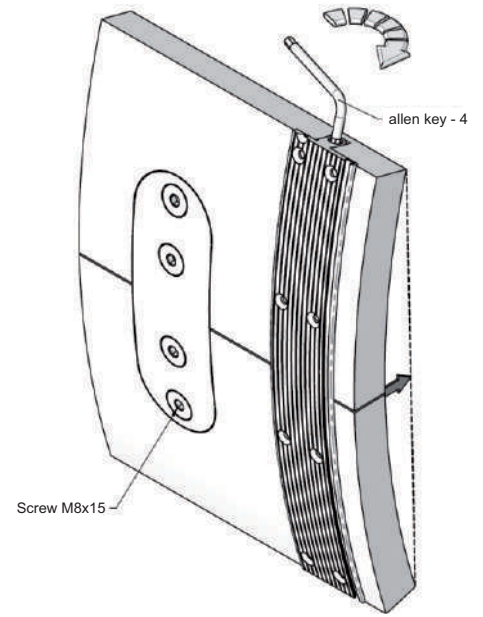
INSTALLATION SUGGESTION:
2 pieces for door range from 600mm up 1200mm
3 pieces for door range over than 1200mm

Example of application on 1000mm wide door
W=1000mm :
Straighteners = 2pcs

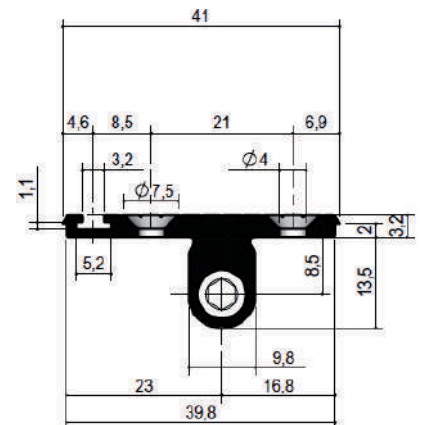
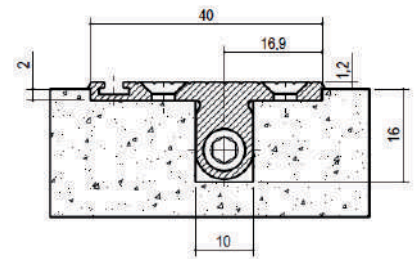
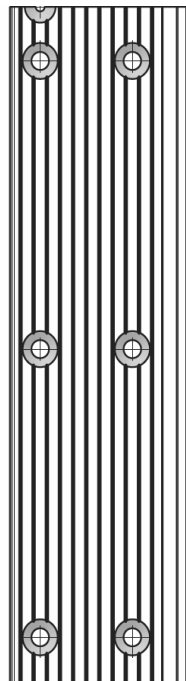
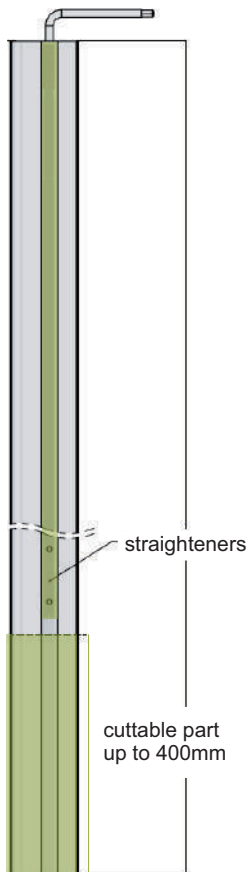


Aluminium Wardrobe Straightener

CODE	DESCRIPTION	FINISH	Size (mm)
TA-2427	Wardrobe Adjustment	White	2600
TA-2429	Joint Plate For Wardrobe Doors	Nickel	



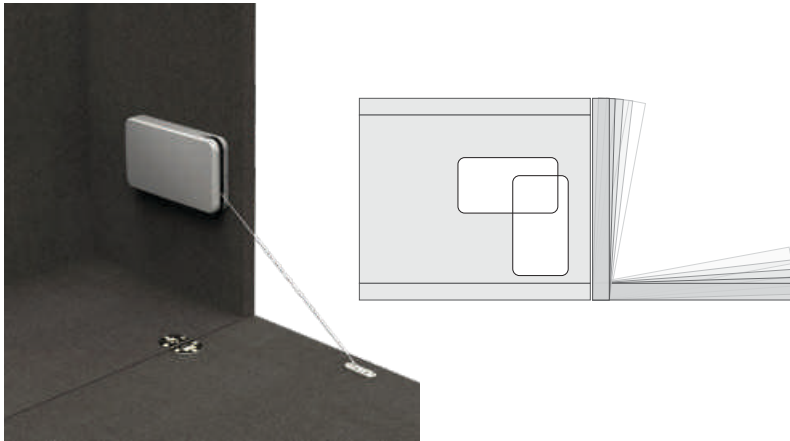
Technical Instruction





Flap Down Stay

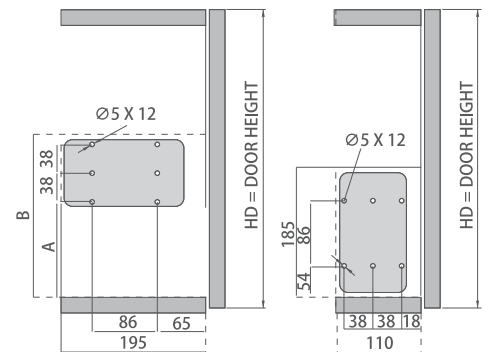
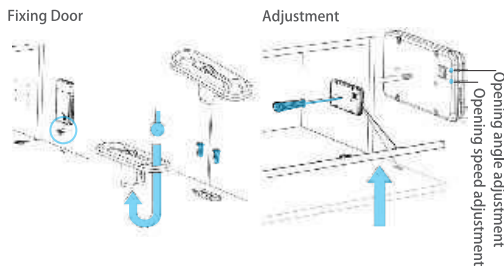
Universal Flap Opening Mechanism



Universal mechanism, possible to assemble either on right and left cabinet side. Possibility to assemble the mechanism in vertical and horizontal position. Adjustment of the opening and closing strength Damping function in opening and closing of the doors. For doors height from 200mm to 480mm, up to 16kg. Easy fixation with mounting hole. No milling required.

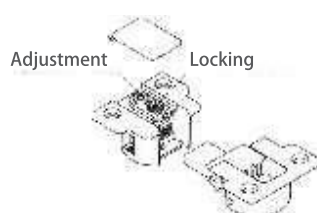
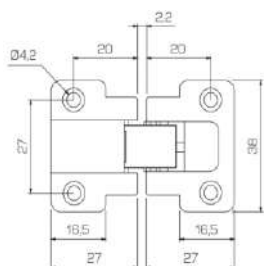
Flap Down Stay

CODE	DESCRIPTION	FINISH	SIZE (mm)
TA-1016	10kg	White	
TA-1017	16kg	White	



Hinge For Flap Down Stay

CODE	DESCRIPTION	FINISH	SIZE (mm)
TA-1018	Hinge For Flap Down	Nickel	

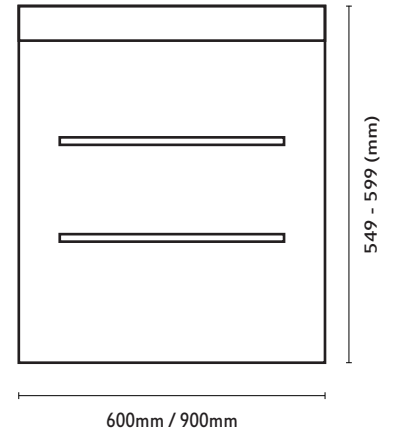




Moving Wall

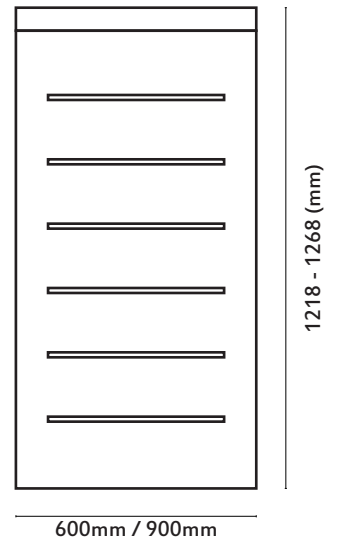
Height Adjustable Panel For 600mm & 900mm

CODE	DESCRIPTION	FINISH	Size (mm)
TA-2601.60	Width 600mm	Grey Stone	549 to 599
TA-2601.90	Width 900mm	Grey Stone	549 to 599



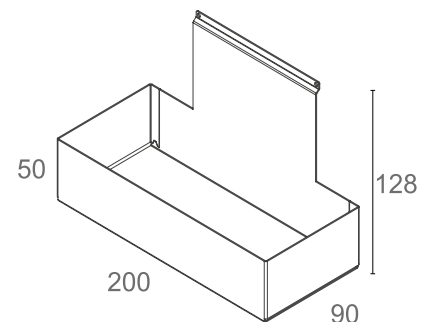
Height Adjustable Panel For 600mm & 900mm

CODE	DESCRIPTION	FINISH	SIZE (mm)
TA-2602.60	Width 600mm	Grey Stone	1218 to 1268
TA-2602.90	Width 900mm	Grey Stone	1218 to 1268



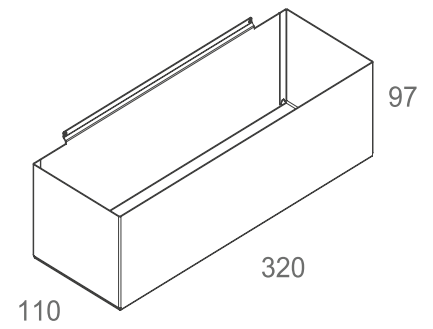
Vegetable Rack

CODE	DESCRIPTION	FINISH	SIZE (mm)
TA-2605	Vegetable Rack	Grey Stone	200 x 90 x 128



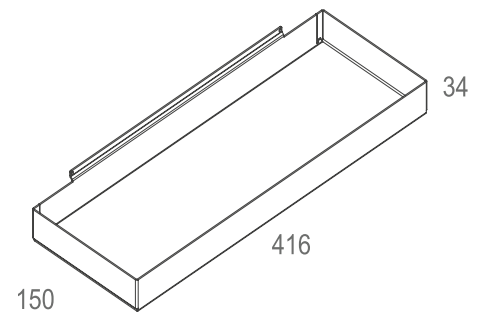
Vegetable Rack

CODE	DESCRIPTION	FINISH	Size (mm)
TA-2606	Vegetable Rack	Grey Stone	320 x 110 x 97



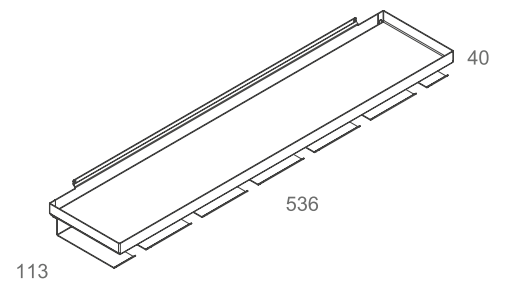
Shelf

CODE	DESCRIPTION	FINISH	SIZE (mm)
TA-2607	Shelf	Grey Stone	416 x 150 x 34



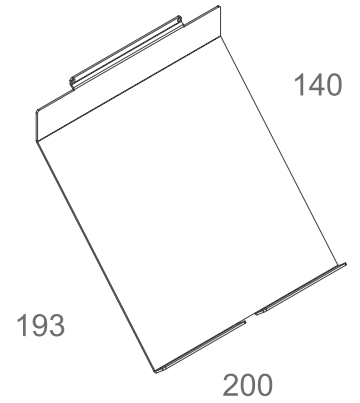
Glass Holder

CODE	DESCRIPTION	FINISH	SIZE (mm)
TA-2608	Glass Holder	Grey Stone	536 x 113 x 40



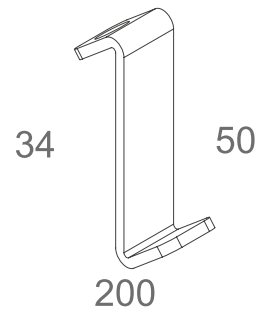
Tablet Rack

CODE	DESCRIPTION	FINISH	Size (mm)
TA-2609	Tablet Rack	Grey Stone	200 x 140 x 193



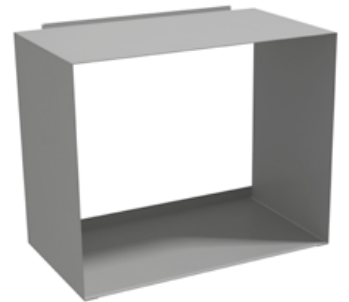
Hook

CODE	DESCRIPTION	FINISH	SIZE (mm)
TA-2610	Hook	Grey Stone	9 x 10 x 34



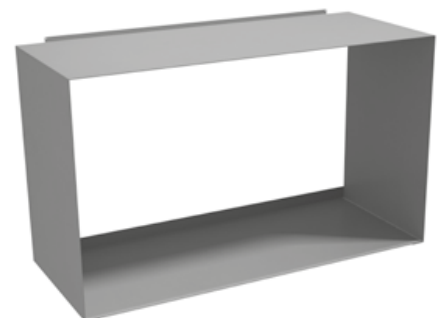
Open Compartment

CODE	DESCRIPTION	FINISH	SIZE (mm)
TA-2611	Open Compartment	Grey Stone	388 x 220 x 314



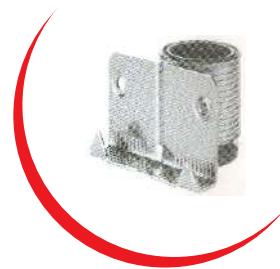
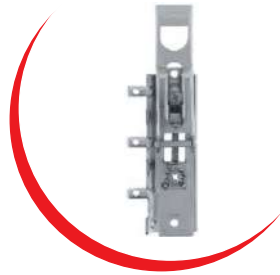
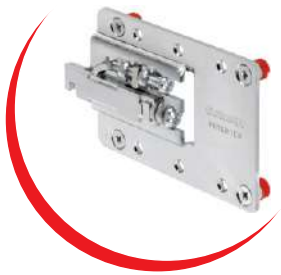
Open Compartment

CODE	DESCRIPTION	FINISH	SIZE (mm)
TA-2612	Open Compartment	Grey Stone	588 x 220 x 314



CAMAR®

the art of innovation

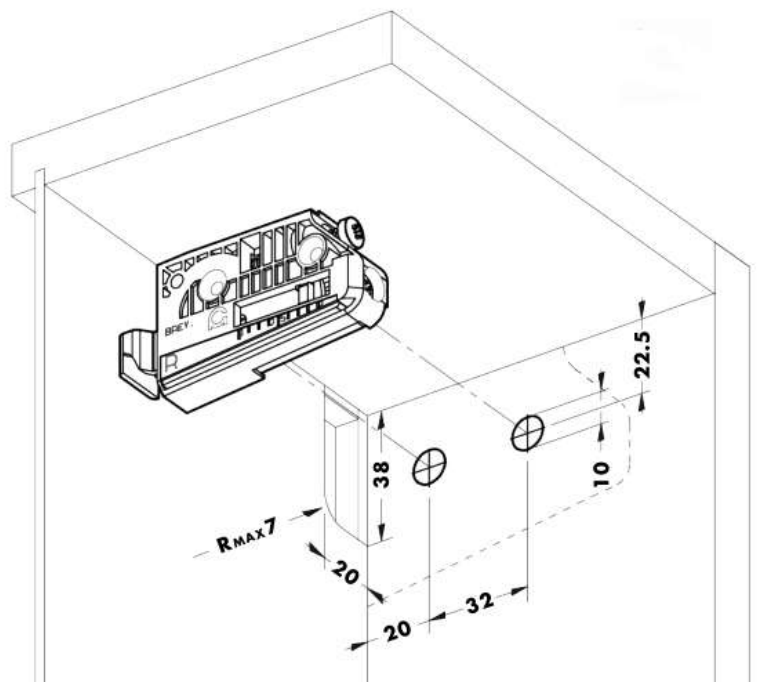
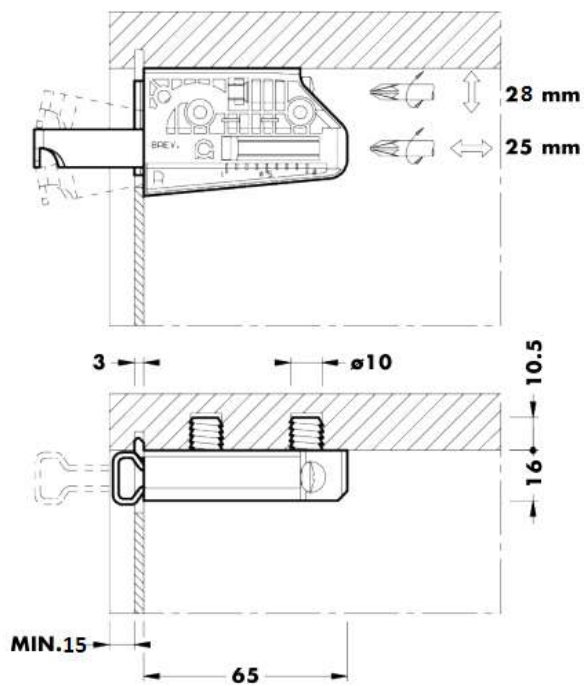


Upper Cabinet Hanging Bracket

CODE	DESCRIPTION	FINISH	Size (mm)
TA-387	Wall Hanging Bracket With 2pc Cover Cap and Mounting Plate	White	
TA-388	Wall Hanging Bracket With 2pc Cover Cap and Mounting Plate	Nickel	

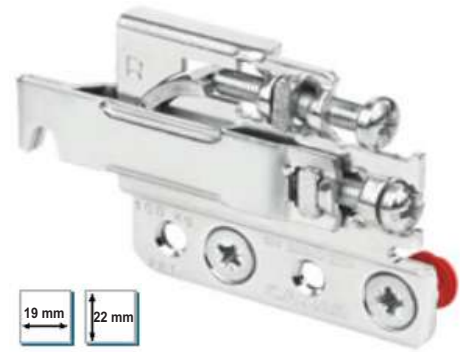


Technical Instruction

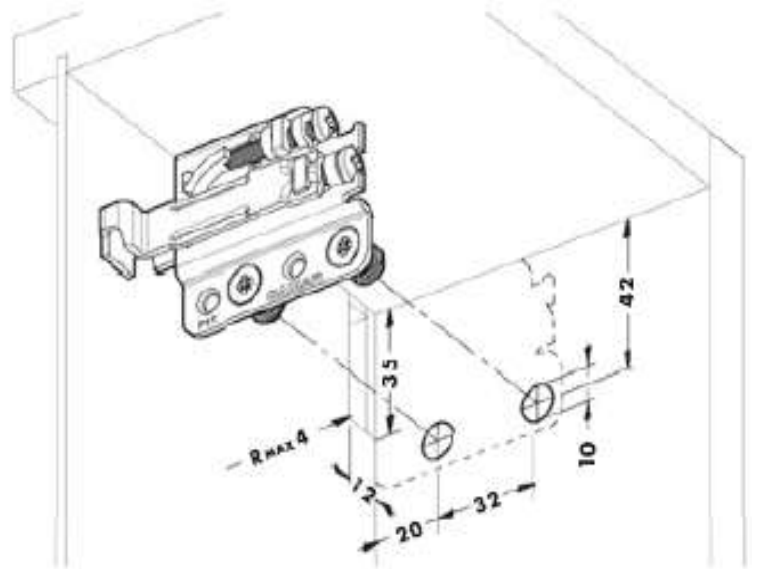
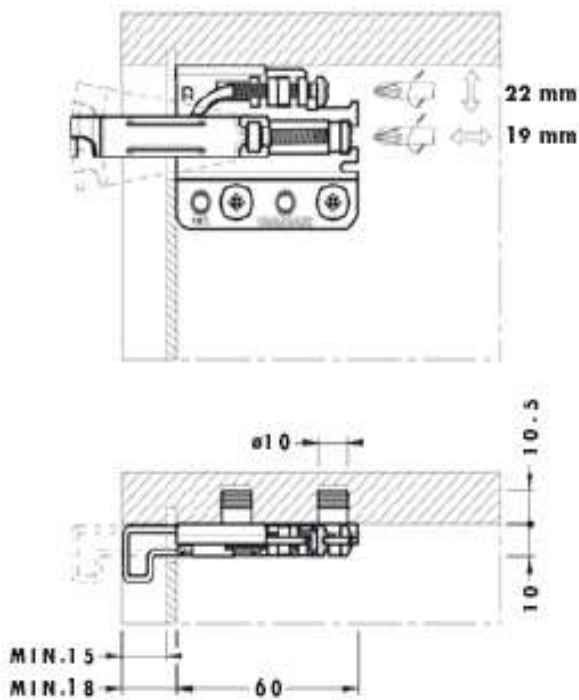


Flate Wall Hanging Bracket

CODE	DESCRIPTION	FINISH	Size (mm)
TA-403	Flate Wall Hanging Bracket With 2pc Cover Cap & 2pc Mounting Plate	White	



Technical Instruction

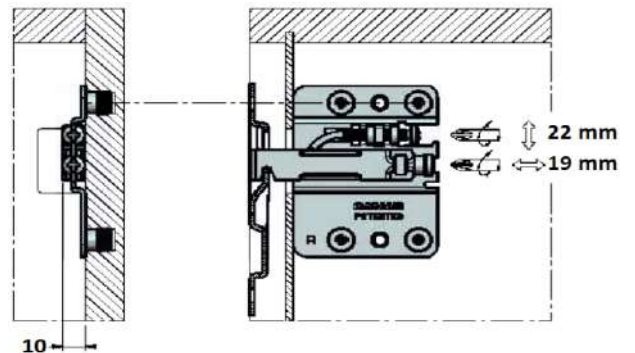
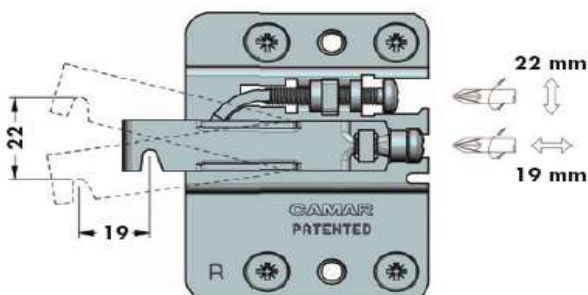
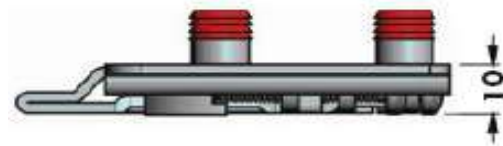
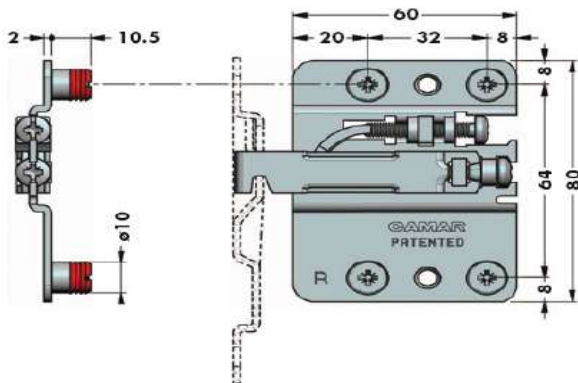


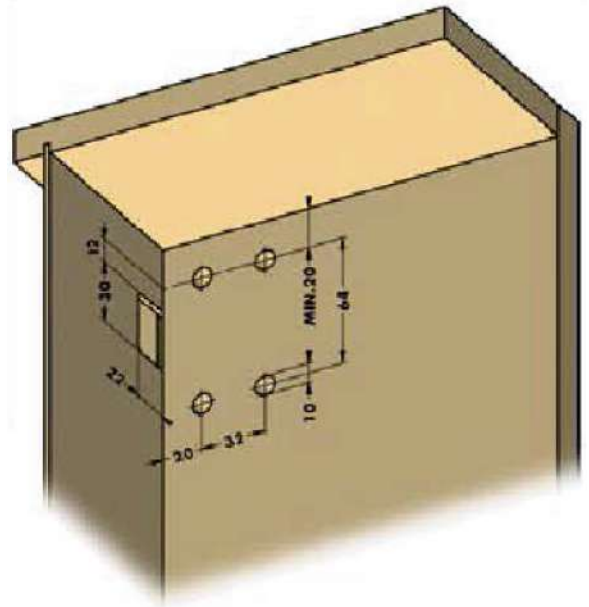
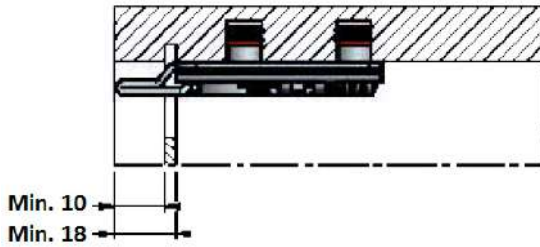
Base Unit Wall Hanging Bracket

CODE	DESCRIPTION	FINISH	Size (mm)
TA-401	Base Unit Hanging Bracket With 2pc Cover Cap (Without Mounting Plate)	White	



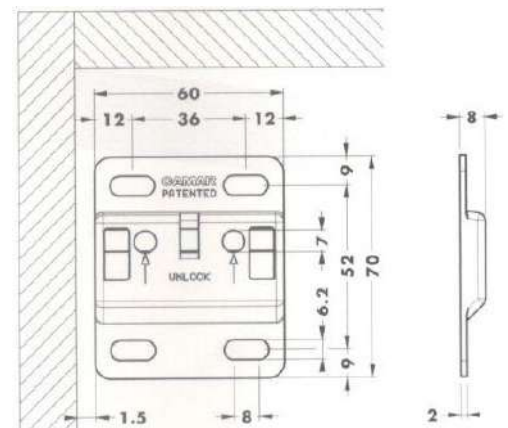
Technical Instruction





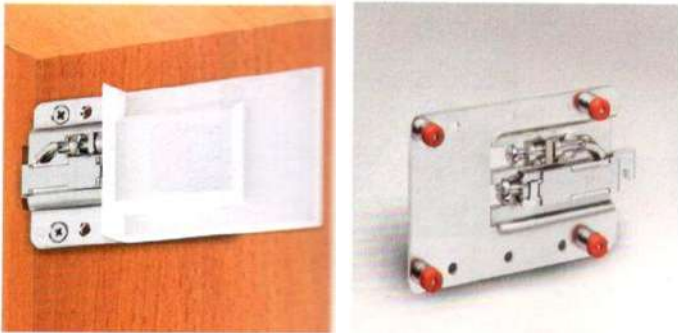
Anti-Drop Wall Plate Small

CODE	DESCRIPTION	FINISH	SIZE (mm)
TA-405	Anti-Drop Plate For TA-401	Zinc	60 x 70

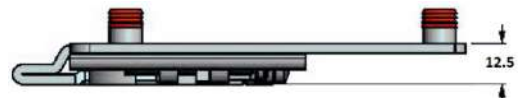
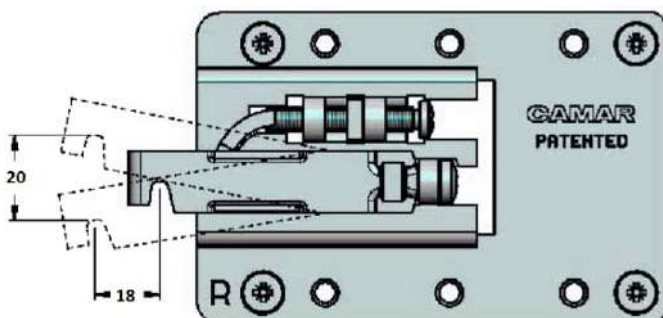
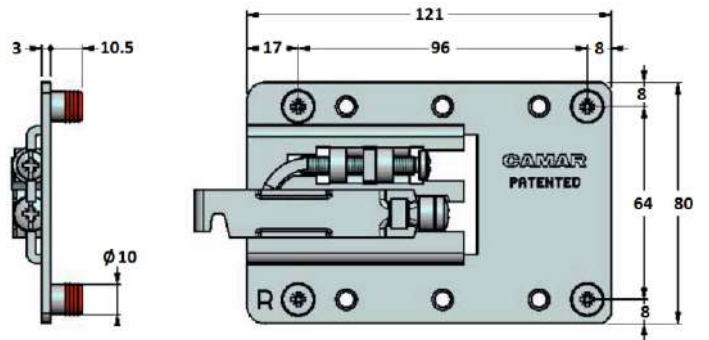
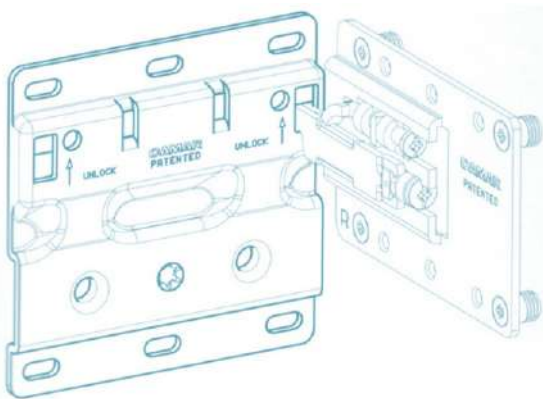


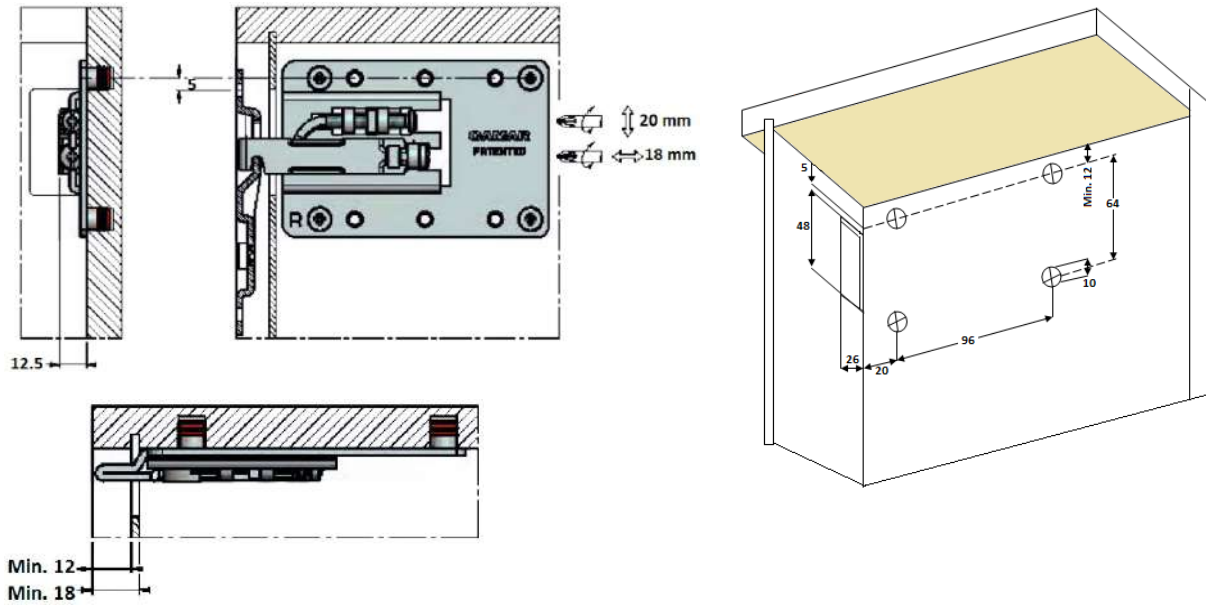
Base Unit XL Wall Hanging Bracket

CODE	DESCRIPTION	FINISH	Size (mm)
TA-402	Base Unit XL Hanging Bracket With 2pc Cover Cap (Without Mounting Plate)	White	



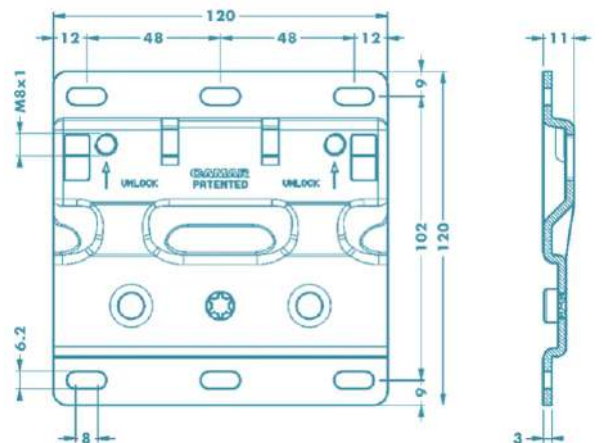
Technical Instruction





Anti-Drop Wall Plate Big

CODE	DESCRIPTION	FINISH	SIZE (mm)
TA-409	Anti-Drop Plate For TA-402	Zinc	120 x 120

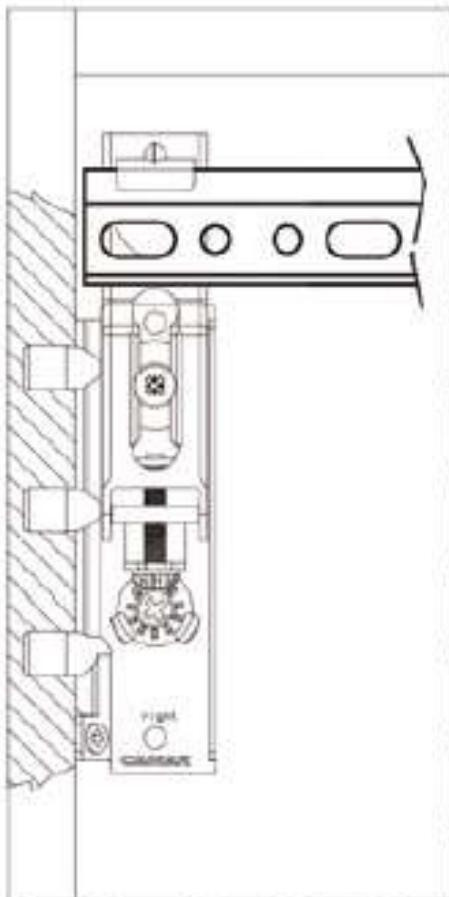


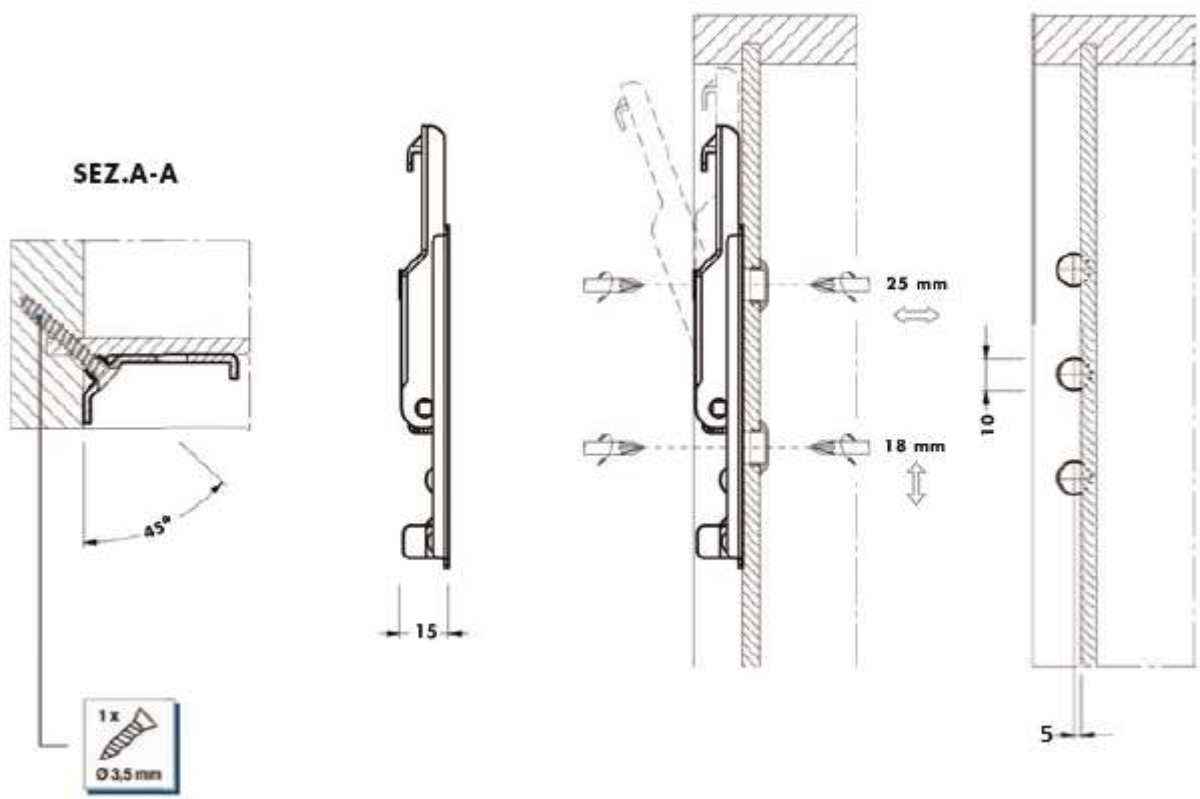
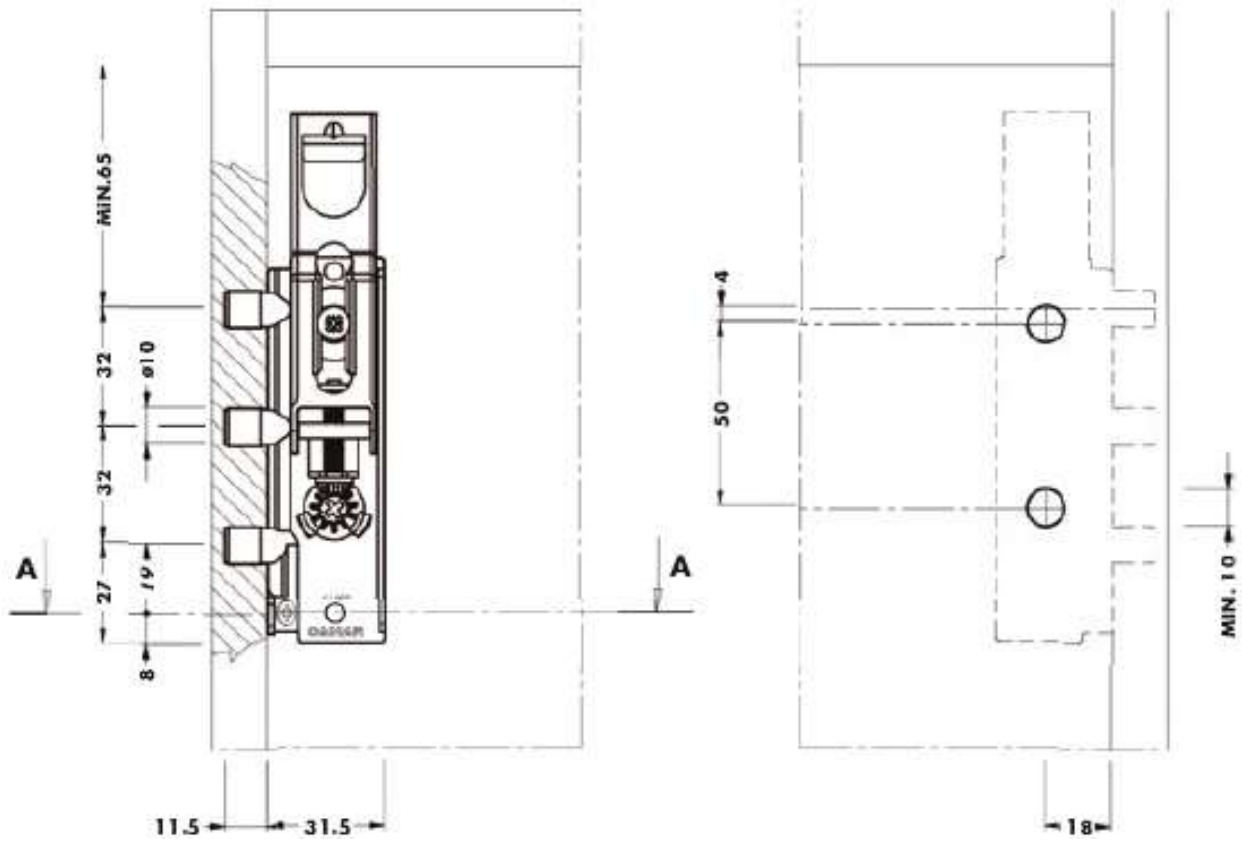
Conceal Wall Hanging Bracket

CODE	DESCRIPTION	FINISH	Size (mm)
TA-389.W	Conceal Hanging Bracket 3 Dowels 8mm With 4pc Cover Cap & 2pc Mounting Plate	White	
TA-389.N	Conceal Hanging Bracket 3 Dowels 8mm With 4pc Cover Cap & 2pc Mounting Plate	Nickel	
TA-400.W	Conceal Hanging Bracket 3 Dowels 10mm With 4pc Cover Cap & 2pc Mounting Plate	White	
TA-400.N	Conceal Hanging Bracket 3 Dowels 10mm With 4pc Cover Cap & 2pc Mounting Plate	Nickel	



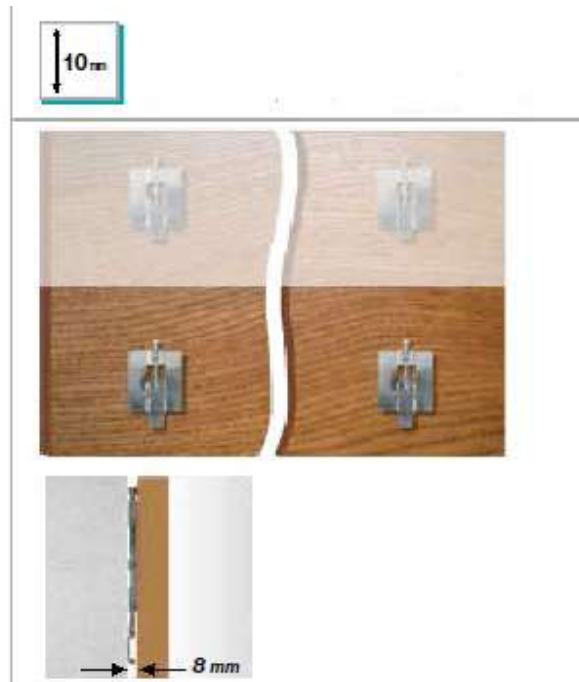
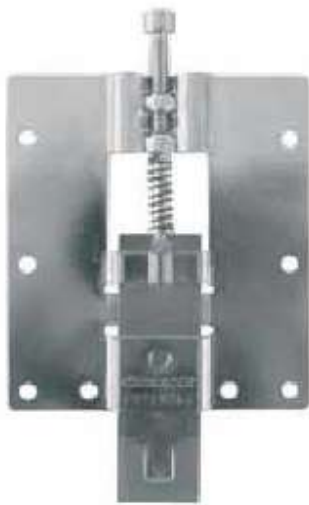
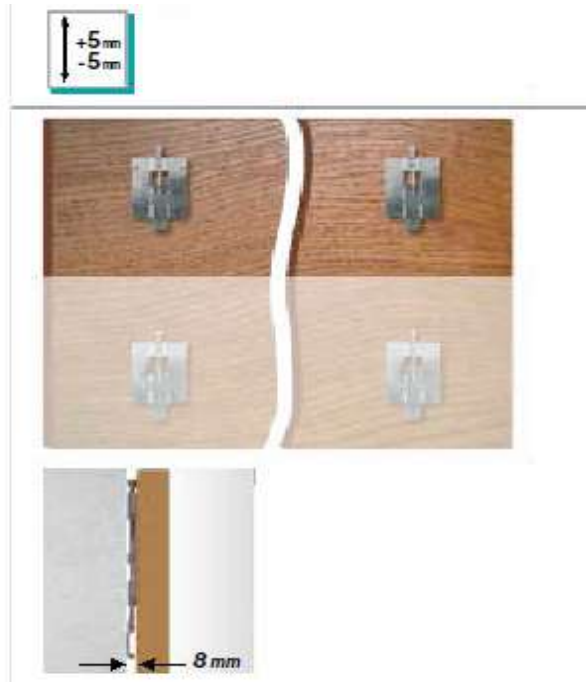
Technical Instruction

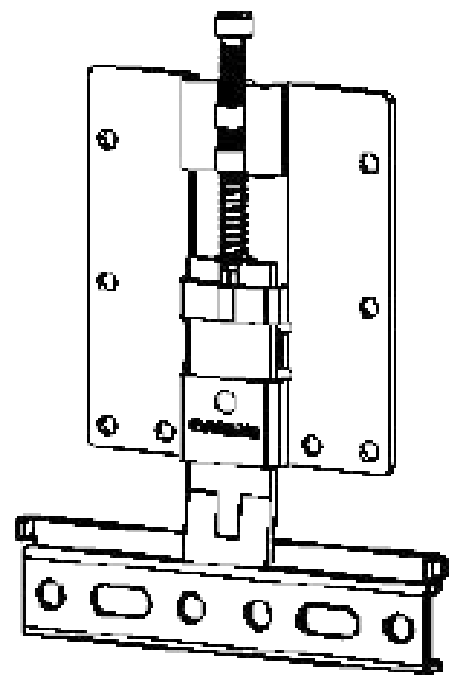
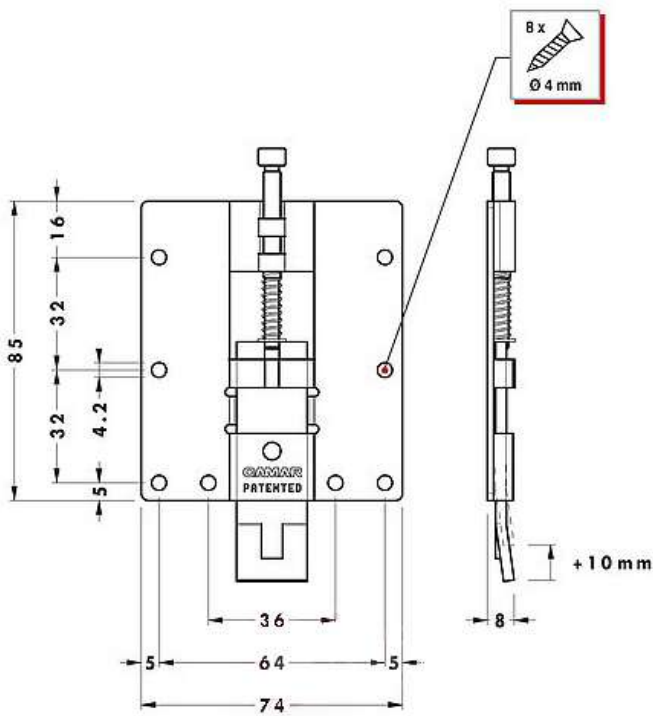
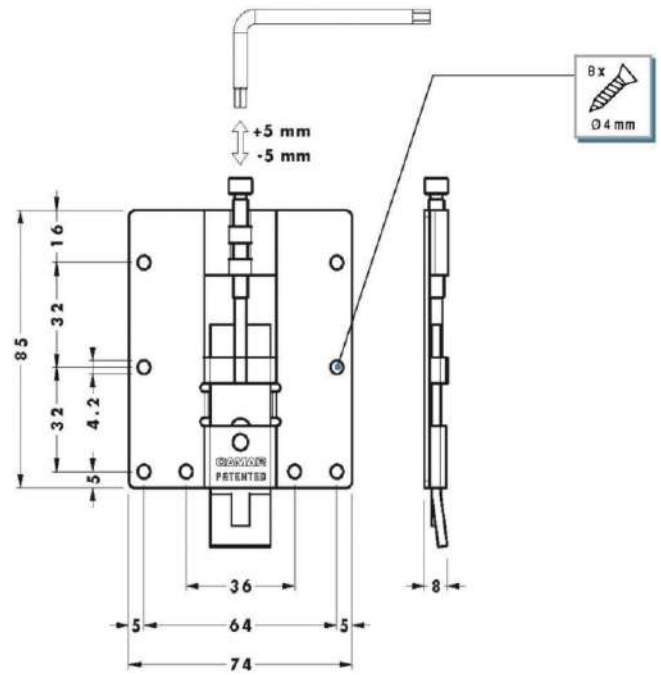
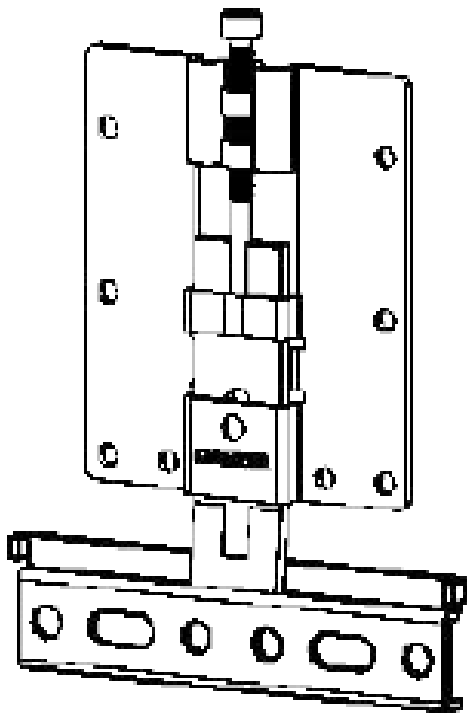




Panel Wall Hanging Bracket Top & Bottom

CODE	DESCRIPTION	FINISH	Size (mm)
TA-404	2pc Top + 2pc Bottom With 4pc Mounting Plate	Zinc	



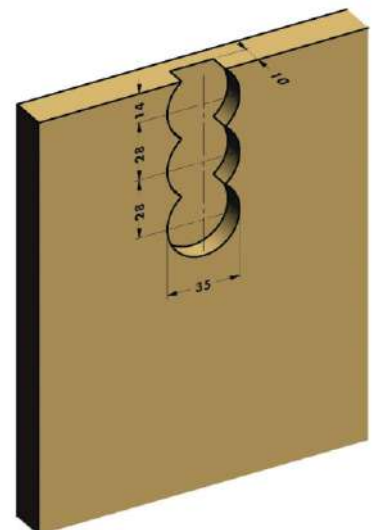
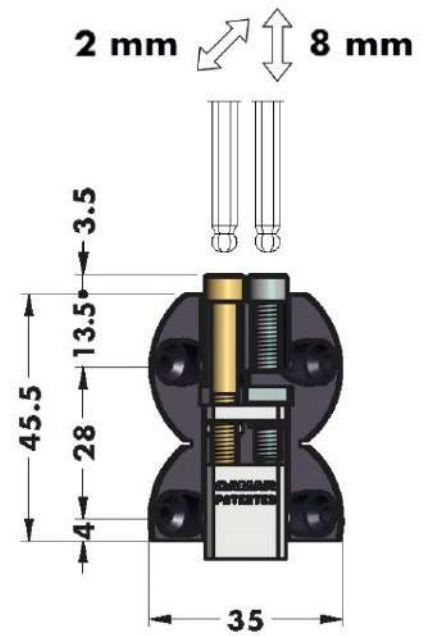
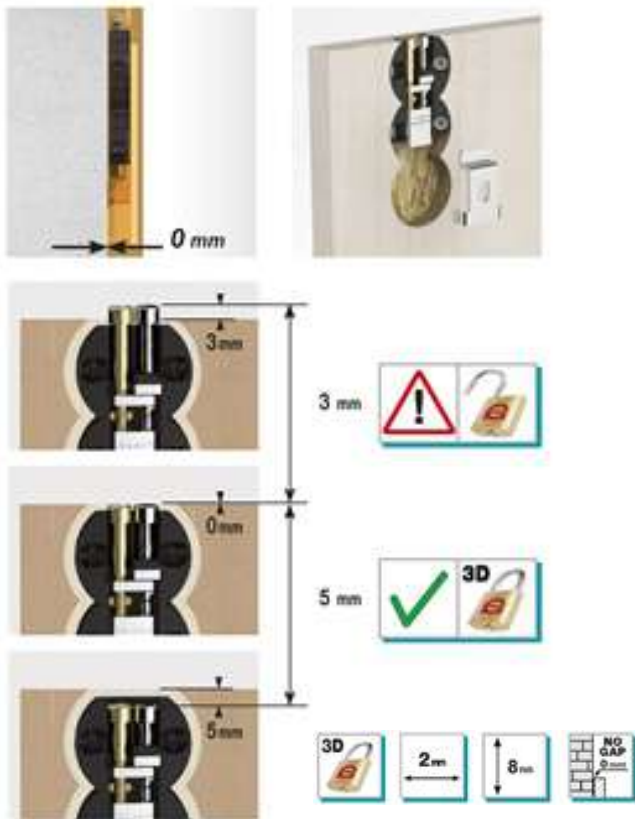


Insert Panel Wall Hanging Bracket

CODE	DESCRIPTION	FINISH	Size (mm)
TA-408	2pc Bracket With 4pc Mounting Plate	Zinc+Black	

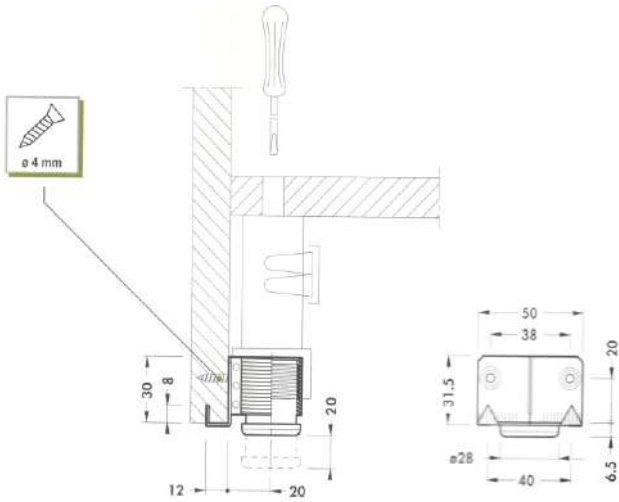


Technical Instruction



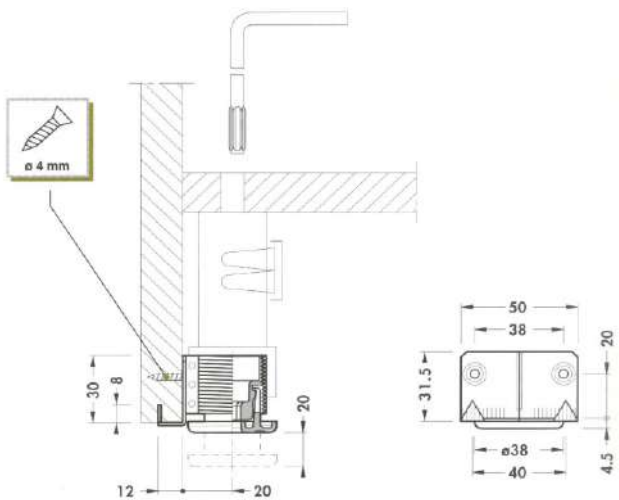
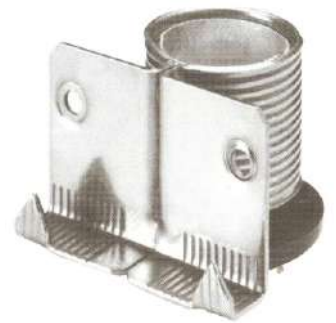
Side Mount Leveler

CODE	DESCRIPTION	FINISH	Size (mm)
TA-608	Load Capacity 100kg	Black + Zinc	



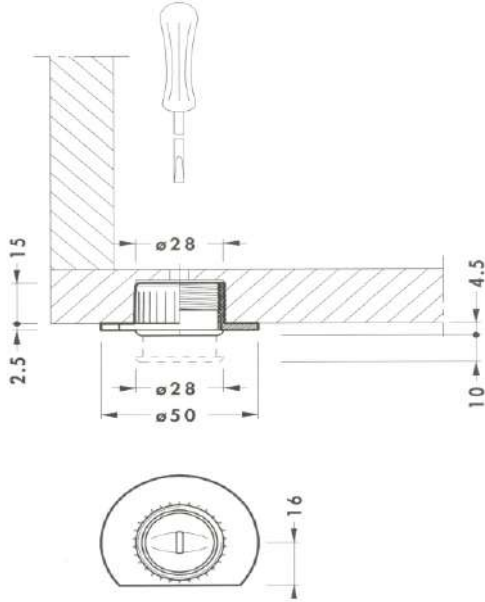
Side Mount Leveler

CODE	DESCRIPTION	FINISH	Type
TA-621	Load Capacity 150kg	Black + Zinc	



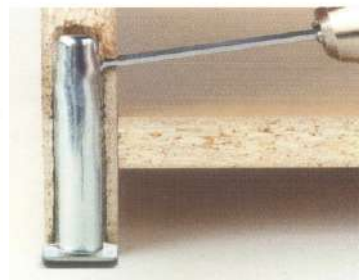
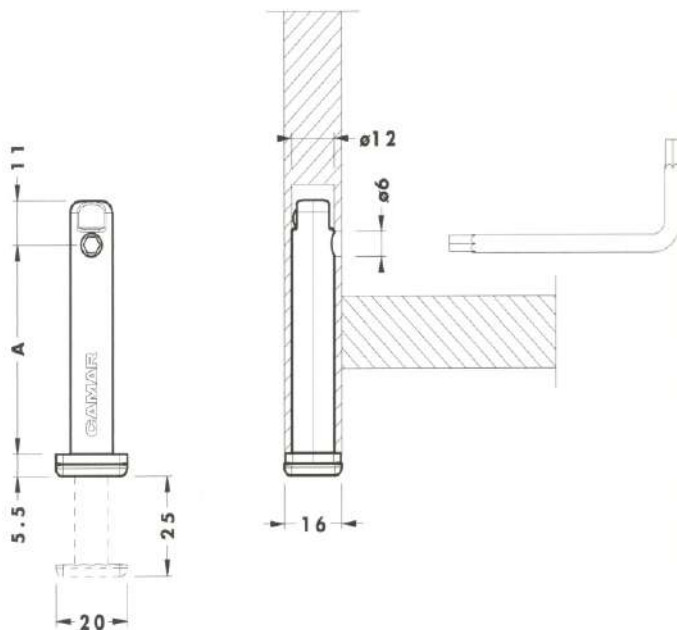
Conceal Side Leveler Ring

CODE	DESCRIPTION	FINISH	Size (mm)
TA-622	Load Capacity 200kg	Black + Zinc	



Conceal Side Leveler 100mm

CODE	DESCRIPTION	FINISH	Type
TA-623	Leveler With Cap	Zinc	





tataria
driven by innovation

TATARIA'S HARDWARE INNOVATION

A-202, Damaji Shamji Corporate Square,
Next to Kanara Business Centre, Mellville Estate,
Off Ghatkopar Andheri Link Road, Pant Nagar,
Laxmi Nagar, Ghatkopar East, Mumbai - 400075
Maharashtra, INDIA.

Phone : +91 22 21027187 / 88 / 90.

Cell : +91 7738251115 | +91 8291701064

Email : sales@tataria.in

Web : www.tataria.in