

tataria

driven by innovation



Architectural
hardware
2018



ABOUT TATARIA

TATARIA is committed to trend new paths with the Promise of Perfection, Innovation and Reliability !!!

Since its foundation in 1997, **TATARIA** has been creating values in customer's lives by delivering products with superior functionality. With 20+ years of propelling experience, we have created our own benchmarks with the ideal blend of innovation & experience making us one of the leading brands in hardware industry today.

We offer complete range of Kitchen, Furniture and Architectural Hardware Products. Our products encompasses Quality, Flair, Functionality, and Longevity. We have partnered with reputed European Brands and also set up state-of-the-art manufacturing unit to fulfill the market demands. We pride ourselves in our ability to meet our customer's needs for the right product at the right price.

Vision & Mission

It's our aim to make our products cost effective and readily available anywhere in India. **Tataria's** are totally committed to quality hardware products, and our criterion always puts quality and value for money to the fore to please every customer.

Network & Infrastructure

TATARIA have a strong distribution network across India including dealers, distributors and company owned display cum training Centre. The display centre showcase all product ranges under one roof & offers technical know-how of product application and usage. The majority of products are stocked in our branch network to meet your immediate needs. We have a modern office and factory setup with highly skilled and experienced staff to handle the daily affairs backed up with latest IT infrastructure.

Product Range

Greater Functionality, Technical Excellence and Affordable Price. We are proud to offer products that are functional and practical, yet boast elegant, beautiful designs. We have a wide and comprehensive range of over **1000** products all of which meet modern standards of functionality and durability.

We have state-of-the-art manufacturing unit located in Kalol, Gujarat. It is equipped with the sophisticated machines, advanced tools and high-end technology to meet the needs of any order size or specifications. We undertake OEM jobs for bulk quantity orders. Our range undoubtedly continuous to expand, accommodating new innovations and finishes. Our Products Range is comprehensive and caters for a vast range of applications. New products are constantly being added to our ranges so keep an eye on our website, or feel free to contact us.

Our Associate :



Architectural Hardware

INDEX

01

Sliding Door
Solution

23

Glass Door
Sliding Handle

30

Shower Knob
& Handle

39

Patch
Fitting

64

Miscellaneous
(Jhulla Fitting, Loft Lock,
'C' Shunk Stud & Key)

19

Rollmatic Glass
Sliding System

27

Shower Cubical
Fitting

33

Glass
Connector

43

Glass Shelving
System

Glass Sliding Fitting

System 800/100

Glass Door Sliding Fitting Rectangle Patch



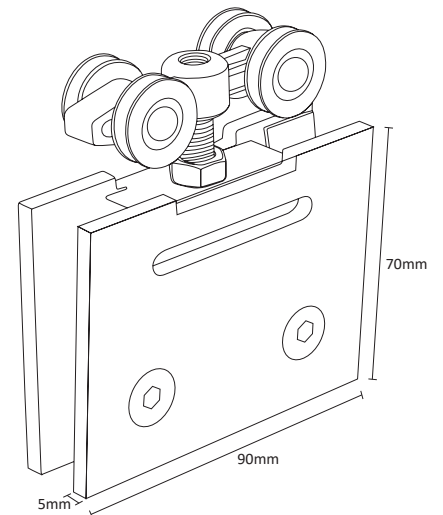
PRODUCT
FEATURES

PRODUCT
TECHNICAL

- Rectangle elegant look with allen head screw.
- Height can be adjust from the slot.
- Wheel made of Derlin & for smooth movement of door.
- Suitable for glass thickness 10/12 mm.
- Made of SS - 304 Grade.
- Load carrying capacity 100kg.
- Finish : SS Matt.



Glass Cutout
Dimension



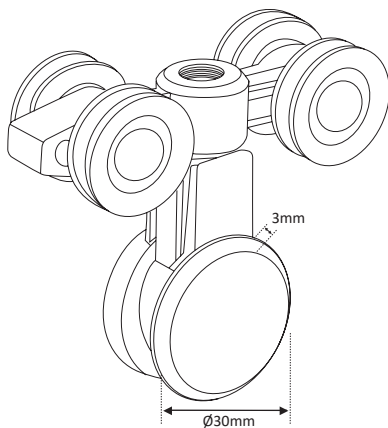
PRODUCT
FEATURES

PRODUCT
TECHNICAL

- Round tiny look.
- Wheel made of Derlin & for smooth movement of door.
- Suitable for glass thickness 10/12 mm.
- Made of SS - 304 Grade.
- Load carrying capacity 100kg.
- Finish : SS Matt.



Glass Cutout
Dimension



System 600/100

Glass Door Sliding Fitting Round Small Patch



System 660/100

Glass Door Sliding Fitting Round Big Patch



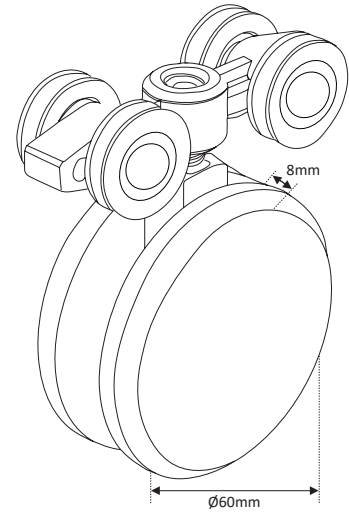
PRODUCT FEATURES

PRODUCT TECHNICAL

- Round classy look.
- Wheel made of Derlin & for smooth movement of door.
- Suitable for glass thickness 10/12 mm.
- Made of SS - 304 Grade.
- Load carrying capacity 100kg.
- Finish : SS Matt.



Glass Cutout Dimension



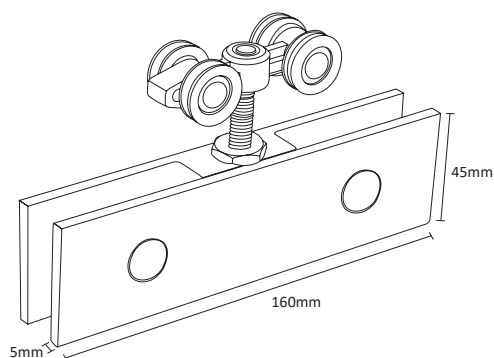
PRODUCT FEATURES

PRODUCT TECHNICAL

- Rectangle elegant look with allen head screw.
- Wheel made of Derlin & for smooth movement of door.
- Suitable for glass thickness 10/12 mm.
- Made of SS - 304 Grade.
- Load carrying capacity 100kg.
- Finish : SS Matt.



Glass Cutout Dimension



System 670/100

Glass Door Sliding Fitting Solid Patch



System 690/100

Glass Door Sliding Fitting Square Patch



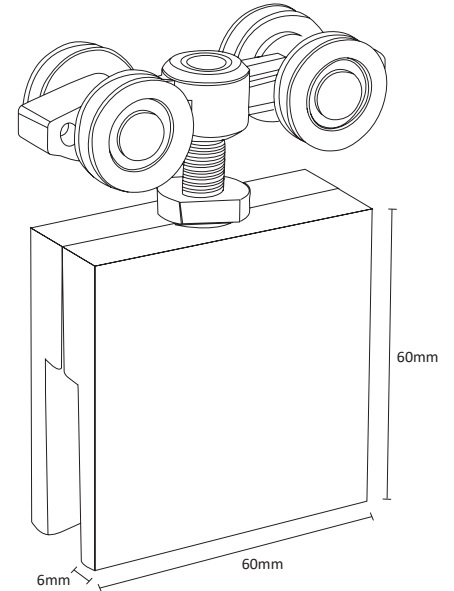
PRODUCT FEATURES

PRODUCT TECHNICAL

- Square elegant look.
- No glass cut out required only need 8mm pin hole for support.
- Wheel made of Derlin & for smooth movement of door.
- Suitable for glass thickness 10/12 mm.
- Made of SS - 304 Grade.
- Load carrying capacity 100kg.
- Finish : SS Matt.



Glass Cutout Dimension



6mm

60mm

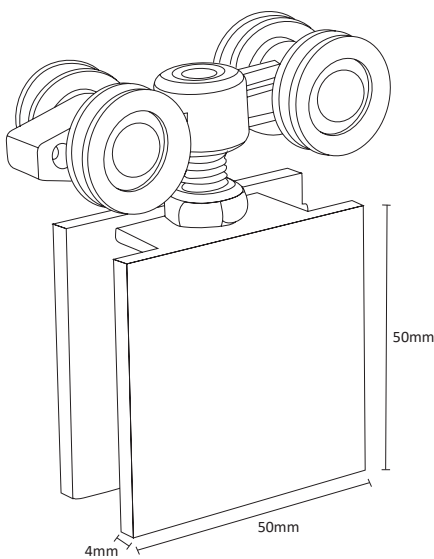
60mm

PRODUCT FEATURES

PRODUCT TECHNICAL

System 272/100

Glass Door Sliding Fitting Square Small Patch



50mm

4mm

50mm

- Square elegant look.
- Wheel made of Derlin & for smooth movement of door.
- Suitable for glass thickness 10/12 mm.
- Made of SS - 304 Grade.
- Load carrying capacity 100kg.
- Finish : SS Matt.

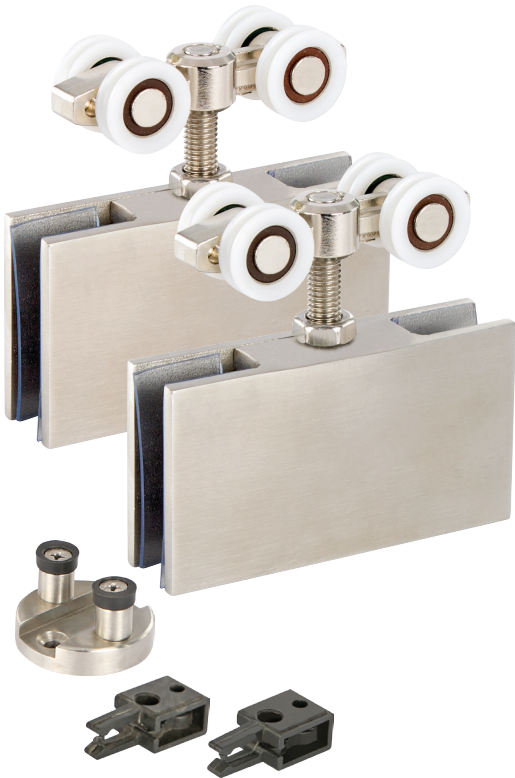


Glass Cutout Dimension



System 273/100

Glass Door Sliding Fitting Rectangle
Medium Patch



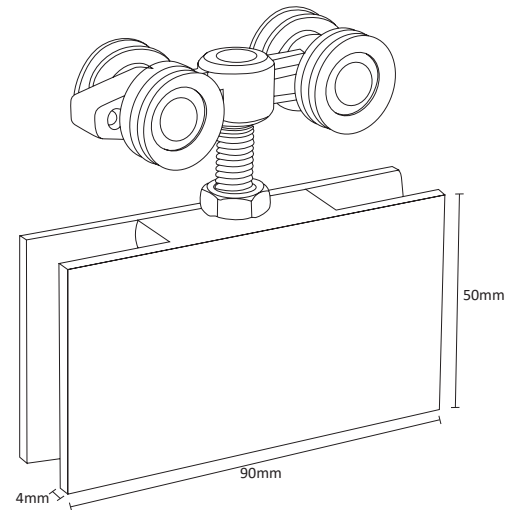
PRODUCT
FEATURES

PRODUCT
TECHNICAL

- Rectangle elegant look.
- Wheel made of Derlin & for smooth movement of door.
- Suitable for glass thickness 10/12 mm.
- Made of SS - 304 Grade.
- Load carrying capacity 100kg.
- Finish : SS Matt.



Glass Cutout
Dimension



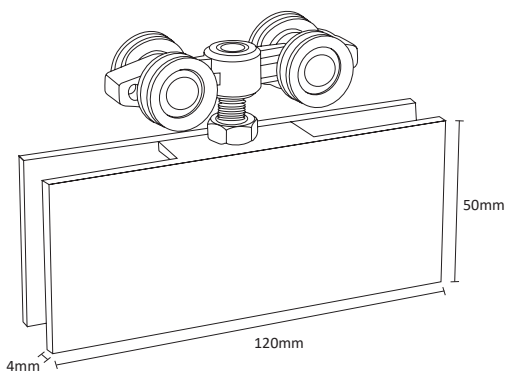
PRODUCT
FEATURES

PRODUCT
TECHNICAL

- Rectangle elegant look.
- Wheel made of Derlin & for smooth movement of door.
- Suitable for glass thickness 10/12 mm.
- Made of SS - 304 Grade.
- Load carrying capacity 100kg.
- Finish : SS Matt.



Glass Cutout
Dimension



System 274/100

Glass Door Sliding Fitting Rectangle
Big Patch



System 275/100

Glass Door Sliding Fitting Square Small Patch



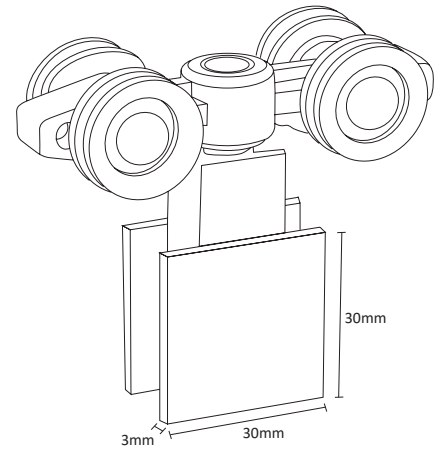
PRODUCT
FEATURES

PRODUCT
TECHNICAL

- Square tiny look.
- Wheel made of Derlin & for smooth movement of door.
- Suitable for glass thickness 10/12 mm.
- Made of SS - 304 Grade.
- Load carrying capacity 100kg.
- Finish : SS Matt.



Glass Cutout
Dimension



System 276/100

Glass Door Sliding Fitting Flat Edge Round Patch

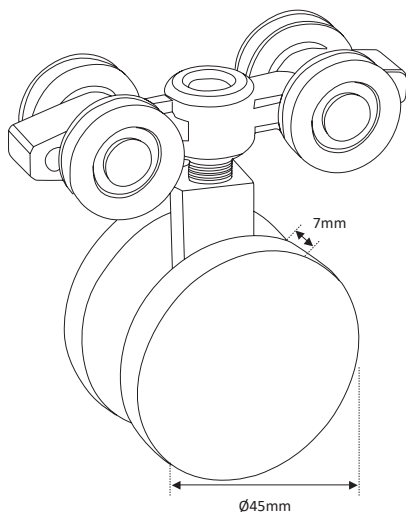
PRODUCT
FEATURES

PRODUCT
TECHNICAL

- Round flat elegant look.
- Wheel made of Derlin & for smooth movement of door.
- Suitable for glass thickness 10/12 mm.
- Made of SS - 304 Grade.
- Load carrying capacity 100kg.
- Finish : SS Matt / Glossy.



Glass Cutout
Dimension



System 277/100

Glass Door Sliding Fitting Taper Edge Round Patch



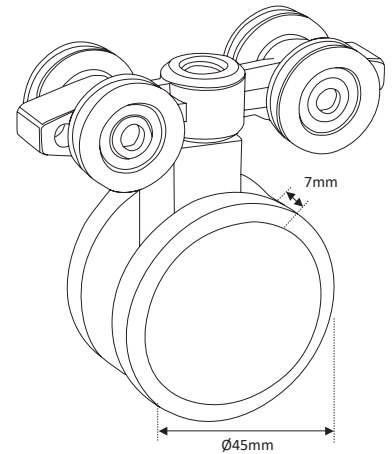
PRODUCT
FEATURES

PRODUCT
TECHNICAL

- Round champered look.
- Wheel made of Derlin & for smooth movement of door.
- Suitable for glass thickness 10/12 mm.
- Made of SS - 304 Grade.
- Load carrying capacity 100kg.
- Finish : SS Matt / Glossy.



Glass Cutout
Dimension



Wooden Sliding & Sliding Folding Fitting



System 300/100
Wooden Sliding Fitting



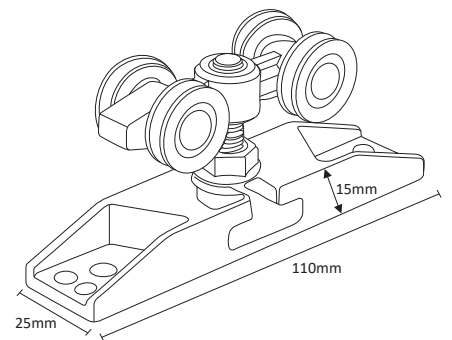
PRODUCT
FEATURES

PRODUCT
TECHNICAL

- Zinc die cast nickel plated clamp.
- Wheel made of Derlin & for smooth movement of door.
- Door thickness 30-60mm.
- Load carrying capacity 100kg.



Technical
details



System 700/100

Wooden Flush Sliding Fitting

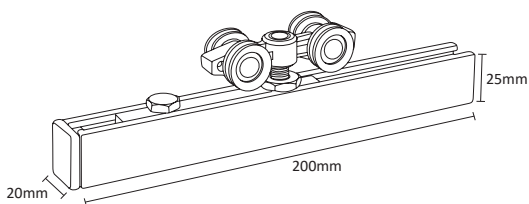
PRODUCT
FEATURES

PRODUCT
TECHNICAL

- Wooden door sliding fitting flush type.
- Made of Aluminium & easy to remove door clamp.
- Minimum gap between door and track is 5mm.
- Wheel made of Derlin & for smooth movement of door.
- Door thickness 32-60mm.
- Load carrying capacity 100kg.



Technical
Details



System 100/100

Eco Wooden Sliding Fitting

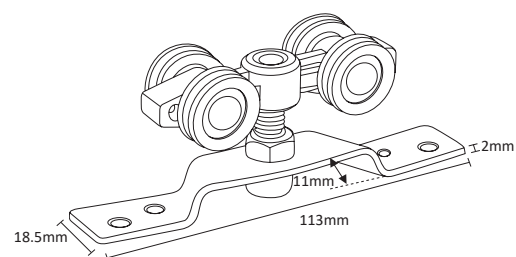
PRODUCT FEATURES

PRODUCT TECHNICAL

- Zinc plated clamp.
- Wheel made of Derlin & for smooth movement of door.
- Door thickness 25-50mm.
- Load carrying capacity 100kg.



Technical Details



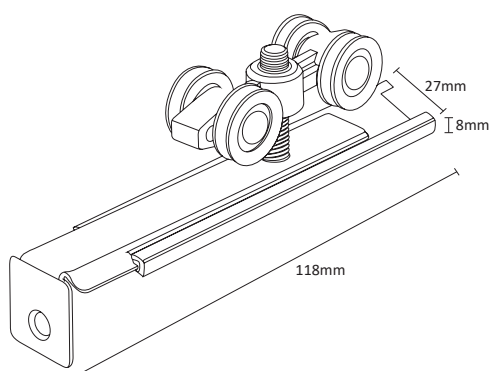
PRODUCT FEATURES

PRODUCT TECHNICAL

- Flush mount nickel plated clamp.
- Easy to remove door clamp.
- Minimum gap between door and track is 6mm.
- Wheel made of Derlin & for smooth movement of door.
- Door thickness 25-50mm.
- Load carrying capacity 100kg.

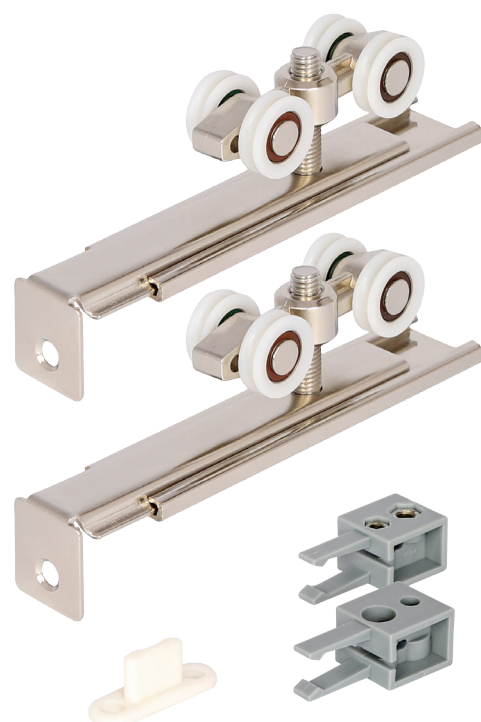


Technical Details



System 110/100

Spile Sliding Fitting



System 350/100

Wooden Synchro Sliding Fitting



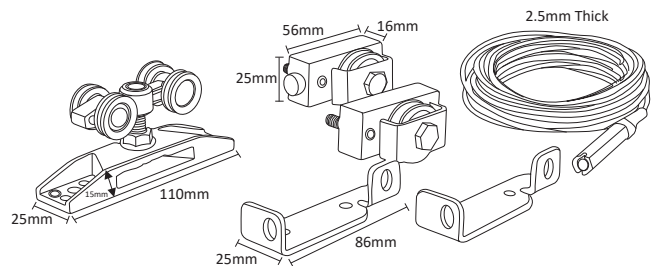
PRODUCT FEATURES

PRODUCT TECHNICAL

- Synchronize system for 2 wooden door.
- Zinc die cast nickel plated clamp.
- 8.5 mtr. long wire.
- Wheel made of Derlin & for smooth movement of door.
- Door thickness 30-60mm.
- Load carrying capacity 100kg per door.



Technical Details



System 400/50

Wooden Flush Sliding Folding Fitting

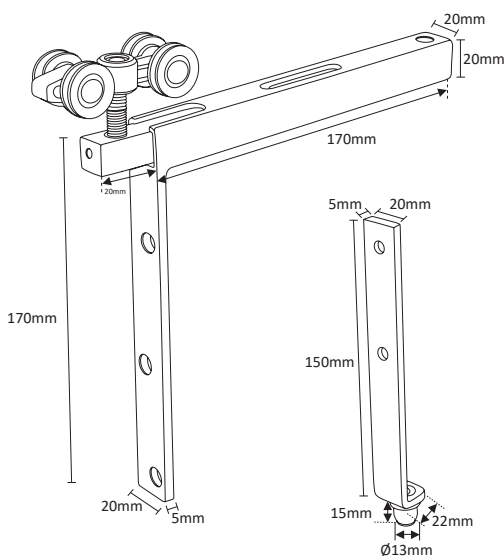
PRODUCT FEATURES

PRODUCT TECHNICAL

- Partition sliding folding door fitting flush type.
- Minimum gap between door and track is 3mm.
- If shutter is less than 600mm, can use without bottom guide.
- Wheel made of Derlin & for smooth movement of door.
- Door thickness 32-50mm.
- Load carrying capacity 50kg. per roller.



Technical Details



System 470/50

Wooden 'L' Type Sliding Folding Fitting



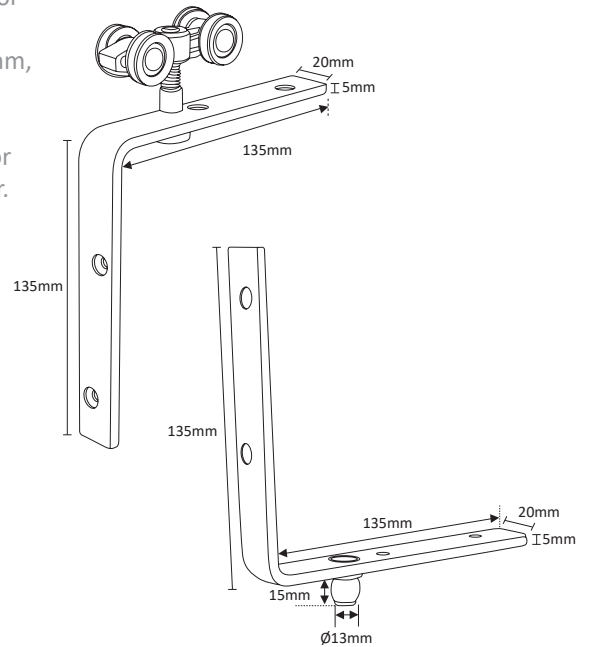
PRODUCT FEATURES

- Partition sliding folding door fitting.
- If shutter is less than 600mm, can use without bottom guide.
- Wheel made of Derlin & for smooth movement of door.
- Door thickness 32-50mm.
- Load carrying capacity 50kg. per roller.

PRODUCT TECHNICAL

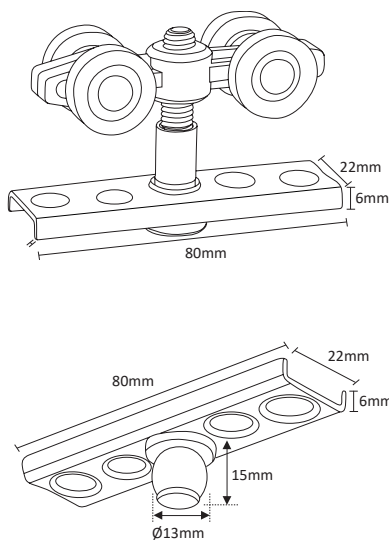


Technical Details



System 480/50

Universal Sliding Folding Fitting (Side & Center)



PRODUCT FEATURES

- Universal sliding folding fitting for side & center.
- Wheel made of Derlin & for smooth movement of door.
- Door thickness 25-50mm.
- Load carrying capacity 50kg. per roller.

PRODUCT TECHNICAL



Technical Details



System 770/50

Wooden Flush Sliding Folding Fitting (Center)

PRODUCT
FEATURES

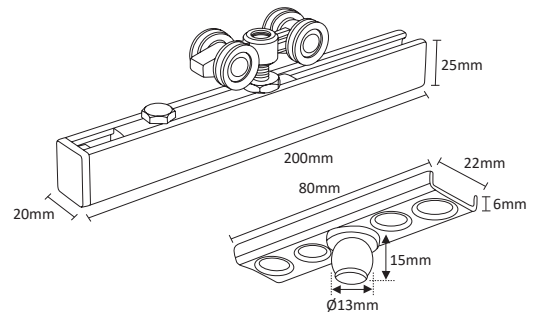
PRODUCT
TECHNICAL



- Centre folding door fitting.
- Partition sliding folding door fitting flush type.
- Minimum gap between door and track is 5mm.
- Wheel made of Derlin & for smooth movement of door.
- Door thickness 32-50mm.
- Load carrying capacity 50kg. per roller.



Technical
Details



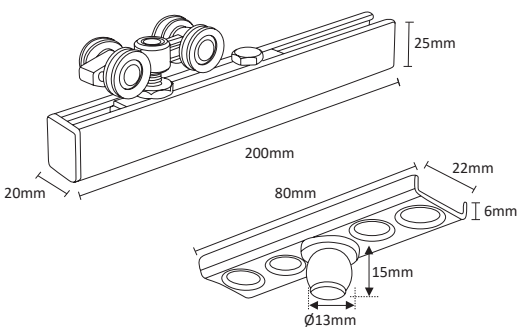
System 780/50

Wooden Flush Sliding Folding Fitting (Side)

PRODUCT
FEATURES

PRODUCT
TECHNICAL

- Side folding door fitting.
- Partition sliding folding door fitting flush type.
- Minimum gap between door and track is 5mm.
- Wheel made of Derlin & for smooth movement of door.
- Door thickness 32-50mm.
- Load carrying capacity 50kg. per roller.



Technical
Details



System 970/90

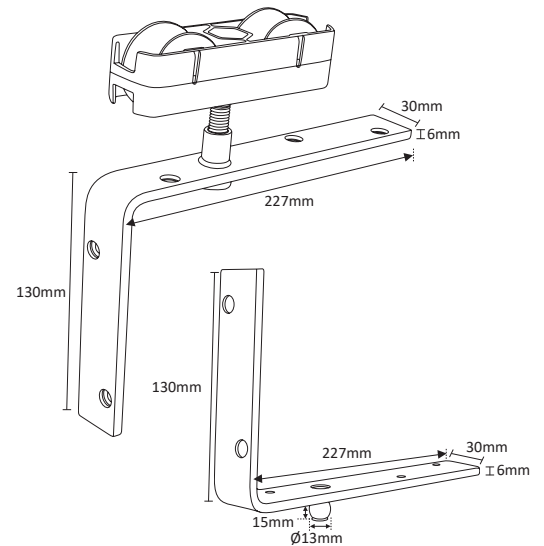
Wooden Heavy Door Side Sliding Folding Fitting



PRODUCT
FEATURES

PRODUCT
TECHNICAL

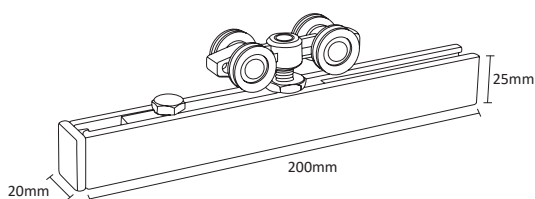
- Partition sliding folding door fitting for heavy door.
- Wheel made of Derlin & for smooth movement of door.
- Door thickness 32-60mm.
- Load carrying capacity 90kg. per roller.



PRODUCT
FEATURES

PRODUCT
TECHNICAL

- Wardrobe sliding fitting set of two doors.
- Flush type fitting.
- Minimum gap between door and track is 5mm.
- Wheel made of Derlin & for smooth movement of door.
- Door thickness 32-50mm.
- Load carrying capacity 100kg. per door.



Technical
Details



System 750/100

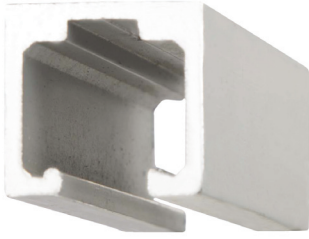
Wardrobe Sliding Fitting Flush Type
For 2 Door



Sliding Track

1100

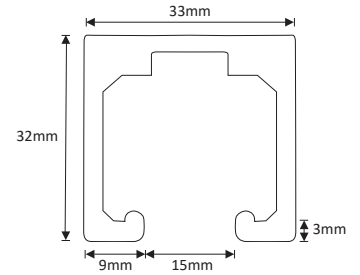
Track For Sliding System 100kg



PRODUCT
FEATURES

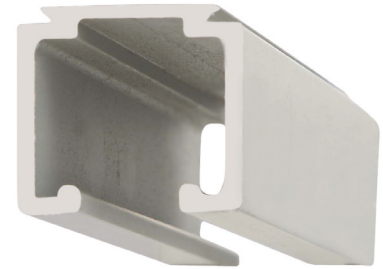
PRODUCT
TECHNICAL

- Material : Aluminium.
- Finish : Silver Anodized.
- Length : 3Mtr / 4 Mtr / 5 Mtr.



1250

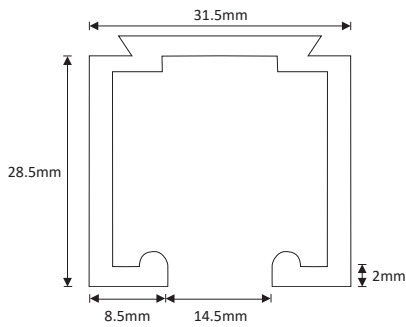
Track For Sliding Fitting 100kg (Medium)



PRODUCT
FEATURES

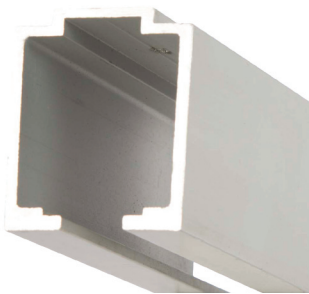
PRODUCT
TECHNICAL

- Material : Aluminium.
- Finish : Silver Anodized.
- Length : 3 Mtr / 3.6 Mtr.



1200

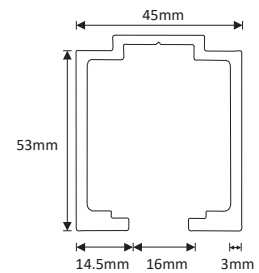
Track For Sliding System 175kg



PRODUCT
FEATURES

PRODUCT
TECHNICAL

- Material : Aluminium.
- Finish : Silver Anodized.
- Length : 4 Mtr.



1150

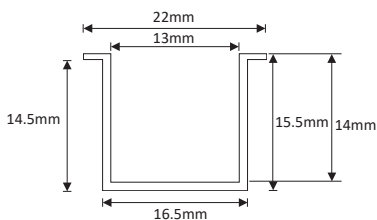
Bottom Track For Sliding Folding Fitting



PRODUCT
FEATURES

PRODUCT
TECHNICAL

- Material : Aluminium.
- Finish : Silver Anodized.
- Length : 3 Mtr / 4 Mtr.



Synchro Accessories

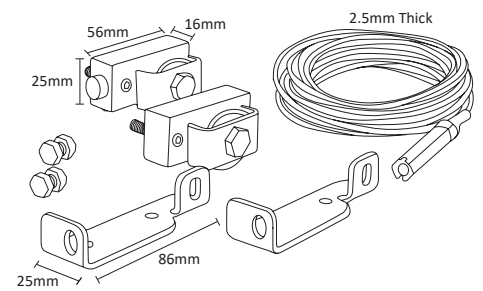
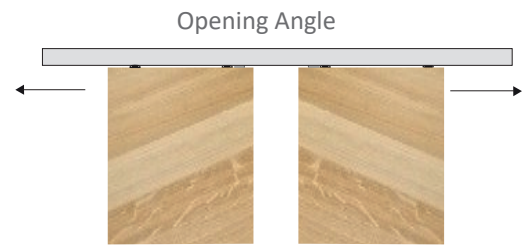
System 900/10

Synchro Fitting For Wooden Door

PRODUCT
FEATURES

PRODUCT
TECHNICAL

- Synchronize system for 2 wooden door.
- Wire thickness 2.5mm.
- Wire 8.5 Mtr long.



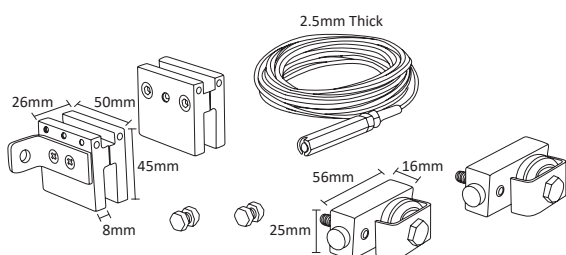
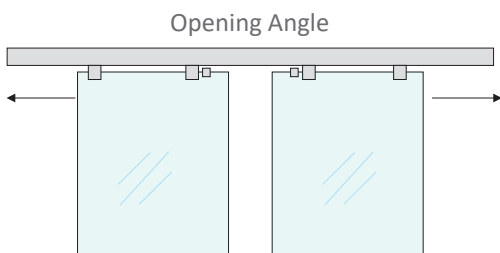
PRODUCT
FEATURES

PRODUCT
TECHNICAL

System 900/20

Synchro Fitting For Glass Door

- Synchronize system for 2 glass door.
- Wire thickness 2.5mm.
- Wire 8.5 Mtr long.



Sliding Accessories

1001/76

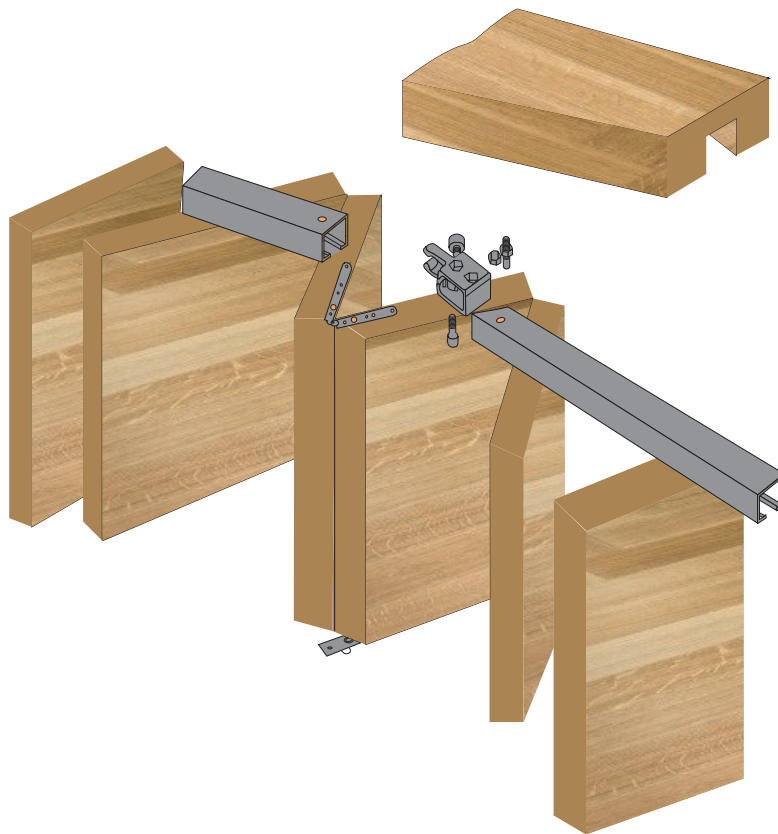
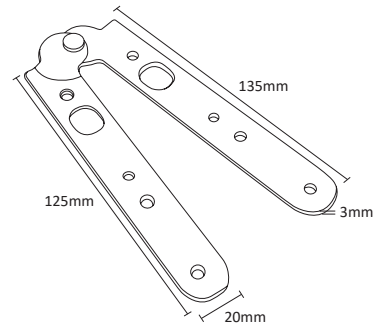
Upper & Lower Hinge

PRODUCT
FEATURES

PRODUCT
TECHNICAL

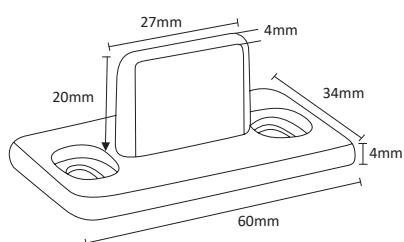


- Upper & lower hinges for sliding folding door fitting.
- No middle hinge required.



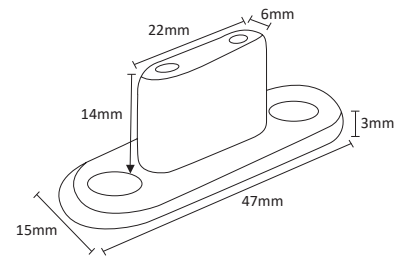
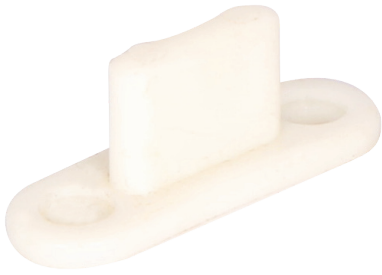
300/13

Wooden Sliding Bottom
Guide (Black)



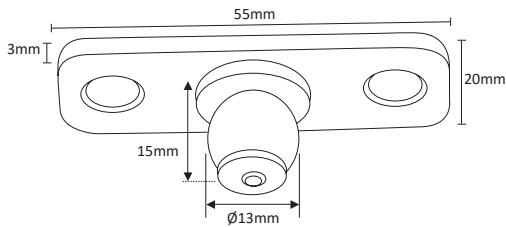
300/15

Wooden Sliding Bottom Guide (White)



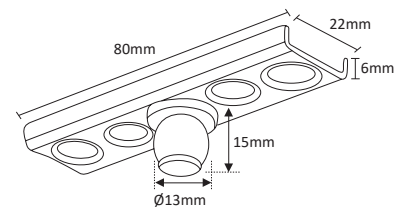
700/14

Wooden Sliding Folding Bottom Guide (SS)



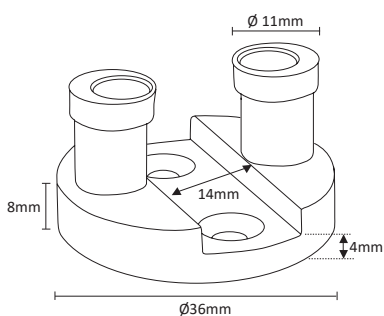
480/10

Wooden Sliding Folding Bottom Guide (Zinc Plated)



800/12

Glass Sliding Bottom Guide (SS)



PRODUCT FEATURES

- For 8 - 12 mm glass.
- Made of SS - 304 Grade.
- Finish : SS Matt.



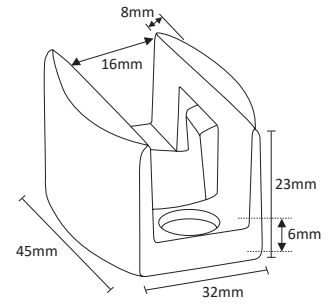
800/15

Glass Sliding Bottom Guide Zinc (SS)



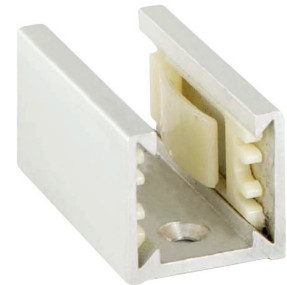
PRODUCT
FEATURES

- For 8 - 12 mm glass.
- Finish : SS.



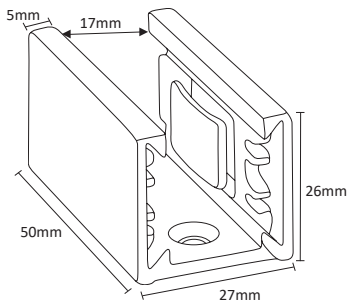
AL-620

Glass Sliding Bottom Guide (Aluminium)



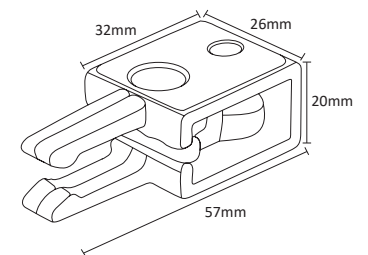
PRODUCT
FEATURES

- For 10 - 12 mm glass.
- Finish : Silver Anodized.



300/14

End Stopper black



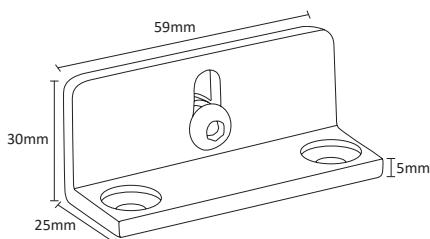
PRODUCT
FEATURES

- For Fixing on Wall to Track.
- Vertical Adjustment.
- Finish : SS Matt.



1300/10

Wall Clamp For Mounting Track To
Wall (Vertical Adjustment)



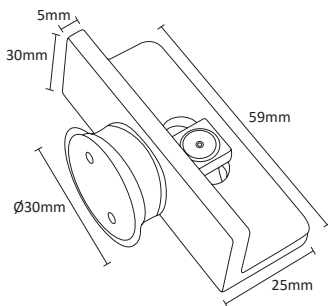
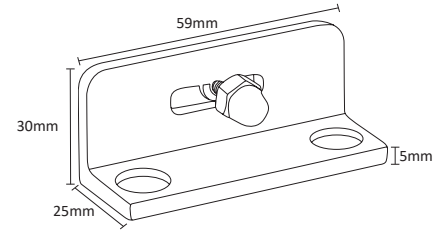
1300/11

Wall Clamp For Mounting Track To Wall (Horizontal Adjustment)



PRODUCT FEATURES

- For Fixing on Wall to Track.
- Horizontal Adjustment.
- Finish : SS Matt.



PRODUCT FEATURES

- For Fixing on Track to Glass Panel.
- 'C' Shunk Stud.
- Finish : SS Matt.



1300/12

Glass Clamp For Mounting Track To Glass Panel. (Horizontal Adjustment)



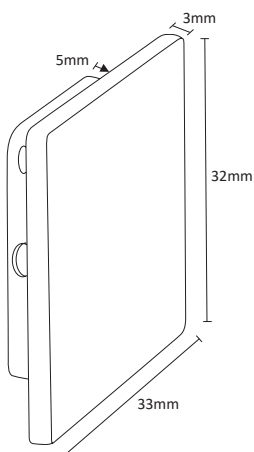
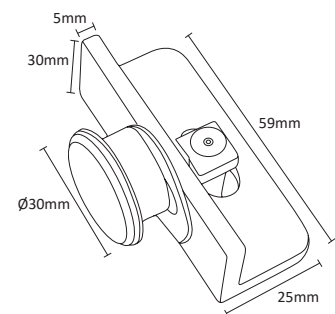
1300/13

Glass Clamp For Mounting Track To Glass Panel (Horizontal Adjustment)



PRODUCT FEATURES

- For Fixing on Track to Glass Panel.
- Point Fitting Stud.
- Finish : SS Matt.



PRODUCT FEATURES

- Made of SS - 304 Grade.
- Finish : Glossy.



1300/14

End Cap (SS) For Track 1100



Rollmatic Glass Sliding System



SS - 360

Rollmatic Glass Roller

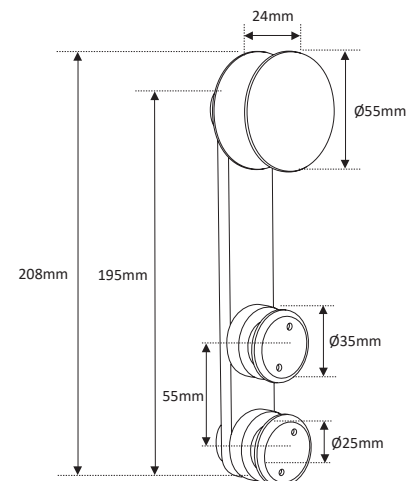
PRODUCT
FEATURES

PRODUCT
TECHNICAL

- Rollmatic sliding system.
- Large dia rollers for smooth movement of door.
- Suitable pipe \varnothing 25mm.
- Made of SS - 304 Grade.
- Load carrying capacity approx 150kg.



Glass Cutout
Dimension



SS - 361

Rollmatic Glass Roller with pin



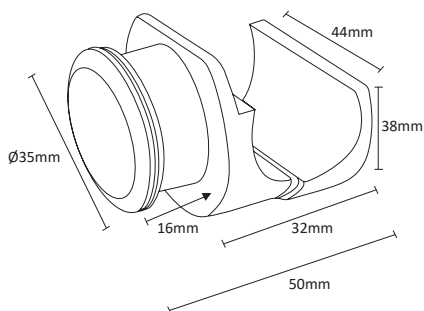
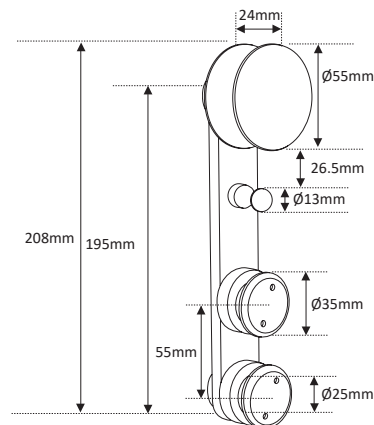
PRODUCT FEATURES

- Rollmatic sliding fitting with pin.
- Large dia rollers for smooth movement of door.
- Suitable pipe \varnothing 25mm.
- Made of SS - 304 Grade.
- Load carrying capacity approx 150kg.

PRODUCT TECHNICAL



Glass Cutout Dimension



PRODUCT FEATURES

- To hold track with glass panel.
- Clamp in two parts to prevent any movement of track.
- Suitable with SS - 360.
- Made of SS - 304 Grade.

PRODUCT TECHNICAL



SS - 362

Pipe to Glass Fixing Clamp



SS - 363

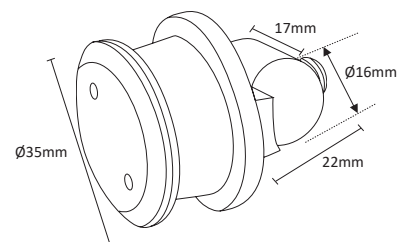
Pipe to Glass Fixing Clamp



PRODUCT FEATURES

- To hold track with glass panel.
- Suitable with SS - 361.
- Made of SS - 304 Grade.

PRODUCT TECHNICAL



SS - 364

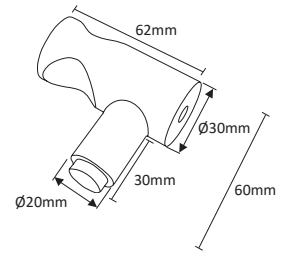
End Stopper



PRODUCT
FEATURES

PRODUCT
TECHNICAL

- To stop the glass door.
- Hard rubber to prevent jerk of the glass door while stopped.
- Made of SS - 304 Grade.



PRODUCT
FEATURES

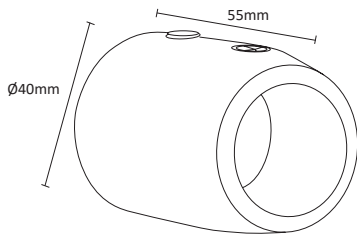
PRODUCT
TECHNICAL

- Secure holding with wall to Pipe.
- Grub screw to prevent the movement of the track.



SS - 365

Side Conceal for 25mm Pipe



800/12

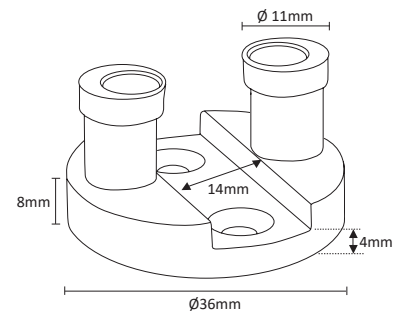
Glass Sliding Bottom Guide (SS)



PRODUCT
FEATURES

PRODUCT
TECHNICAL

- For 8 - 12 mm glass
- Made of SS - 304 Grade
- Finish : SS Matt



PRODUCT
FEATURES

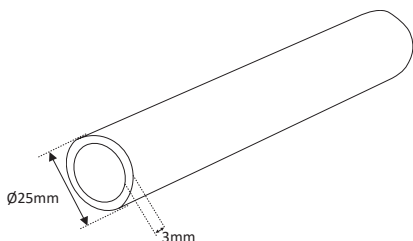
PRODUCT
TECHNICAL

- Sliding Roller move on the 25mm dia pipe.
- Made of SS - 304 Grade.
- Thickness of pipe : 3mm.
- Length : 2 Mtr & 2.5 Mtr.



SS - 366

25mm SS Pipe



Complete Set (Option - 1)

SS - 360 x 2 pcs

Rollmatic Glass Roller



SS - 362 x 2 pcs

Pipe to Glass Fixing Clamp



SS - 364 x 2 pcs

End Stopper



SS - 365 x 2 pcs

Side Conceal for 25mm Pipe



800/12 x 1 pc

Glass Sliding Bottom Guide (SS)



SS - 366 x 1 pc

25mm SS Pipe (2Mtr.)



Complete Set (Option - 2)

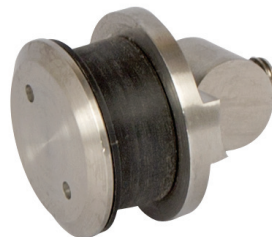
SS - 361 x 2 pcs

Rollmatic Glass Roller with pin



SS - 363 x 2 pcs

Pipe to Glass Fixing Clamp



SS - 364 x 2 pcs

End Stopper



SS - 365 x 2 pcs

Side Conceal for 25mm Pipe



800/12 x 1 pc

Glass Sliding Bottom Guide (SS)



SS - 366 x 1 pc

25mm SS Pipe (2Mtr.)



Glass Door Sliding Handle

SS - 278 / CP - 278

Glass Door Sliding Handle Round



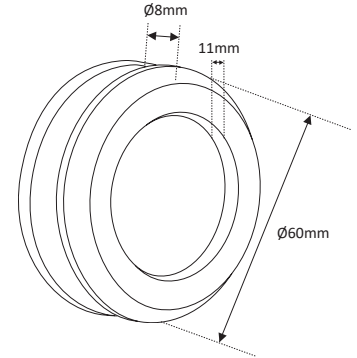
PRODUCT
FEATURES

PRODUCT
TECHNICAL

- 60mm Dia, better handling.
- Suitable for glass thickness 10/12 mm.
- Made of SS - 304 Grade.
- Finish : SS Matt / Glossy.



Glass Cutout
Dimension



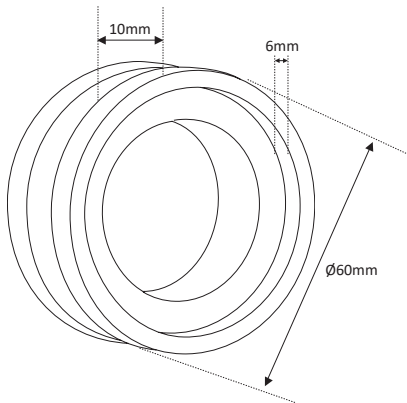
PRODUCT
FEATURES

PRODUCT
TECHNICAL

- 60mm Dia, better handling.
- Suitable for glass thickness 10/12 mm.
- Made of SS - 304 Grade.
- Finish : SS Matt.



Glass Cutout
Dimension



SS - 261

Glass Door Sliding Handle Round



SS - 262

Glass Door Sliding Handle Round



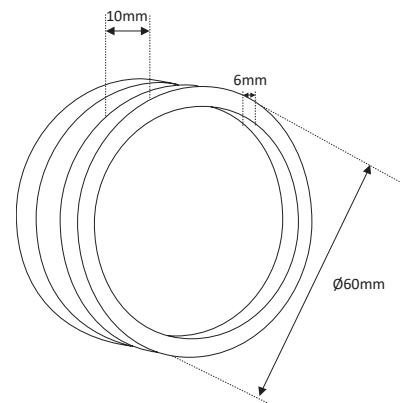
PRODUCT
FEATURES

PRODUCT
TECHNICAL

- 60mm Dia, better handling.
- Suitable for glass thickness 10/12mm.
- Made of SS - 304 Grade.
- Finish : SS Matt.



Glass Cutout
Dimension



SS - 263

Glass Door Sliding Handle Square



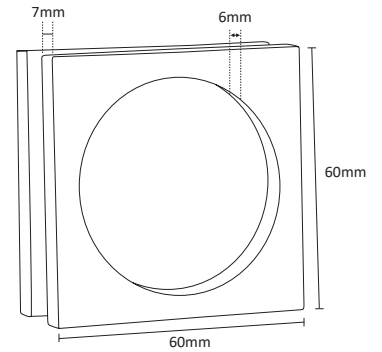
PRODUCT FEATURES

PRODUCT TECHNICAL

- 60mm x 60mm, better handling.
- Suitable for glass thickness 10 /12mm.
- Made of SS - 304 Grade.
- Finish : SS Matt.



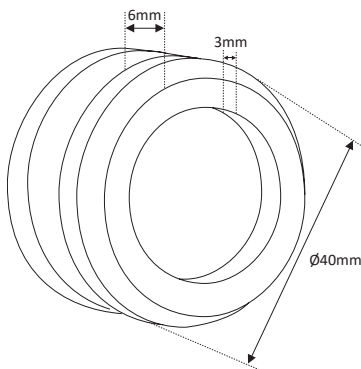
Glass Cutout Dimension



PRODUCT FEATURES

PRODUCT TECHNICAL

- 40mm Dia for small application.
- Suitable for glass thickness 6/8mm.
- Made of SS - 304 Grade.
- Finish : SS Matt



Glass Cutout Dimension



SS - 266

Glass Door Sliding Handle Round



SS - 267

Glass Door Sliding Handle Round



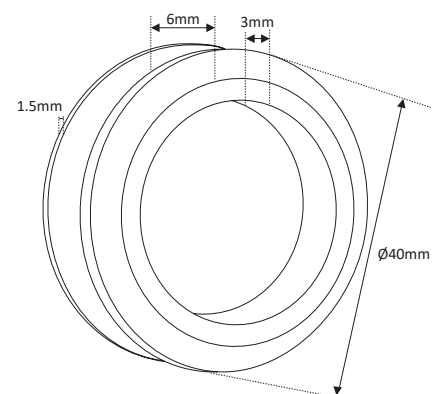
PRODUCT FEATURES

PRODUCT TECHNICAL

- Specially for one side opening door.
- One side handle other side coin 1.5mm thick.
- 40mm Dia for small application.
- Suitable for glass thickness 6/8mm.
- Made of SS - 304 Grade.
- Finish : SS Matt



Glass Cutout Dimension



SS - 268

Glass Door Sliding Handle Round



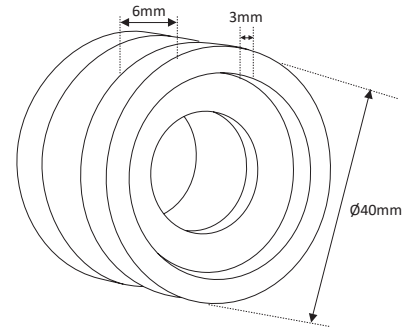
PRODUCT FEATURES

PRODUCT TECHNICAL

- 40mm Dia for small application.
- Suitable for glass thickness 6/8mm.
- Made of SS - 304 Grade.
- Finish : SS Matt



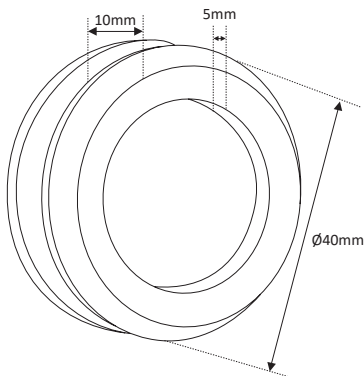
Glass Cutout Dimension



PRODUCT FEATURES

PRODUCT TECHNICAL

- 40mm Dia for small application.
- Suitable for glass thickness 10/12mm.
- Made of SS - 304 Grade.
- Finish : SS Matt



SS - 269

Glass Door Sliding Handle Round



SS - 270

Glass Door Sliding Handle Round



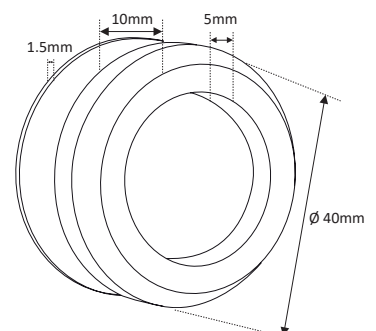
PRODUCT FEATURES

PRODUCT TECHNICAL

- Specially for one side opening door.
- One side handle other side coin 1.5mm thick.
- 40mm Dia for small application.
- Suitable for glass thickness 10/12mm.
- Made of SS - 304 Grade.
- Finish : SS Matt



Glass Cutout Dimension



SS - 271

Glass Door Sliding Handle Round



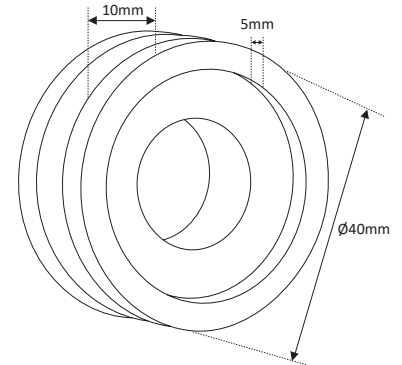
PRODUCT
FEATURES

PRODUCT
TECHNICAL

- 40mm Dia for small application
- Suitable for glass thickness 10/12mm.
- Made of SS - 304 Grade.
- Finish : SS Matt.



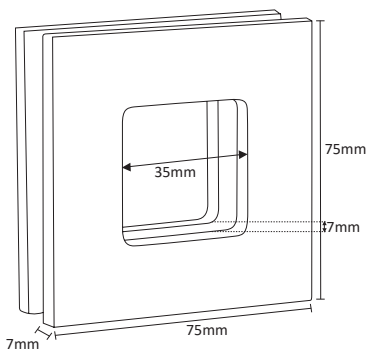
Glass Cutout
Dimension



PRODUCT
FEATURES

PRODUCT
TECHNICAL

- 75mm x 75mm, better handling
- Suitable for glass thickness 10/12mm.
- Made of SS - 304 Grade.
- Finish : SS Matt.



Glass Cutout
Dimension



SS - 290

Glass Door Sliding Handle Square



SS - 291

Glass Door Sliding Handle
Rectangle



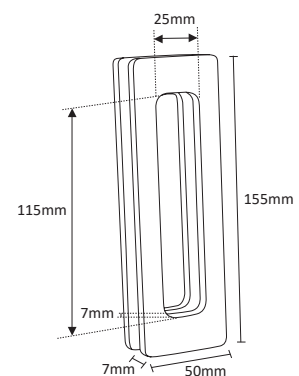
PRODUCT
FEATURES

PRODUCT
TECHNICAL

- 155mm x 50mm, better handling.
- Suitable for glass thickness 10/12mm.
- Made of SS - 304 Grade.
- Finish : SS Matt



Glass Cutout
Dimension



Shower Cubical Fitting



SS - 222 / CP - 222

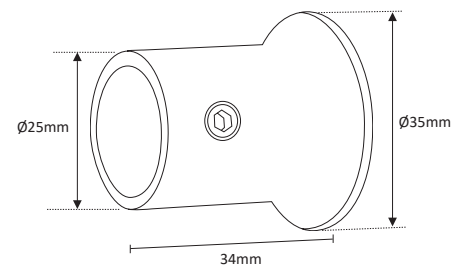
Side Bracket for Pipe (Conceal)

PRODUCT
FEATURES

PRODUCT
TECHNICAL



- To Hold the Pipe with Wall.
- Made of SS - 304 Grade.
- Finish : SS Matt/Glossy.



SS - 227 / CP - 227

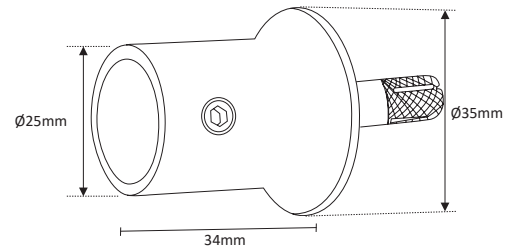
Side Bracket for Pipe with Fitting Bolt (Conceal)



PRODUCT FEATURES

PRODUCT TECHNICAL

- To Hold the Pipe with Wall (anchor bolt.)
- Made of SS - 304 Grade.
- Finish : SS Matt/Glossy.



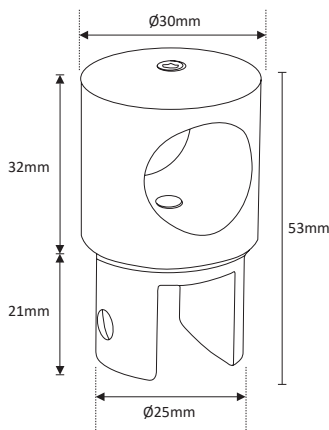
SS - 223 / CP - 223

Pipe to Glass Connector

PRODUCT FEATURES

PRODUCT TECHNICAL

- To Hold the pipe to glass.
- Suitable for glass thickness 10 & 12mm.
- Made of SS - 304 Grade.
- Finish : SS Matt/Glossy.



SS - 224 / CP - 224

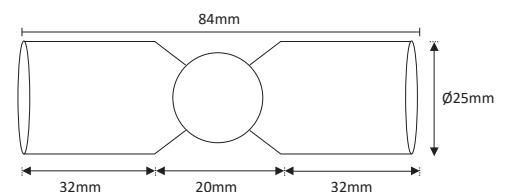
Moveable Connector Pipe to Pipe



PRODUCT FEATURES

PRODUCT TECHNICAL

- To connect pipe to pipe in any angle.
- Adjustable to any angle.
- Made of SS - 304 Grade.
- Finish : SS Matt/Glossy.



SS - 225 / CP - 225

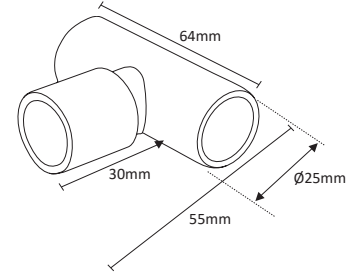
'T' Type Pipe Connector



PRODUCT
FEATURES

PRODUCT
TECHNICAL

- To connect for 3 way pipe application.
- Made of SS - 304 Grade.
- Finish : SS Matt/Glossy.



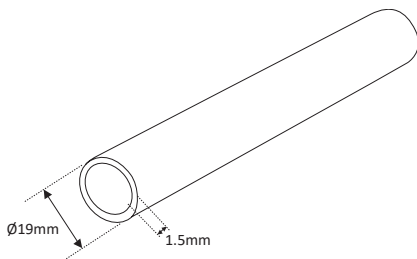
PRODUCT
FEATURES

PRODUCT
TECHNICAL

SS - 226 / CP - 226

Round Pipe Medium

- Thickness of pipe is 1.5mm.
- Made of SS - 304 Grade.
- Finish : SS Matt/Glossy.
- Length : 2mtr / 3mtr.



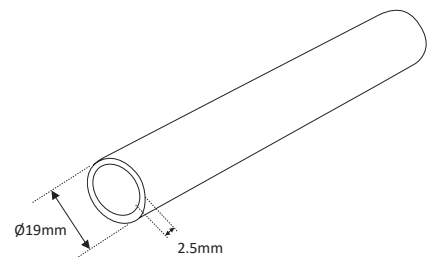
SS - 228 / CP - 228

Round Pipe Heavy

PRODUCT
FEATURES

PRODUCT
TECHNICAL

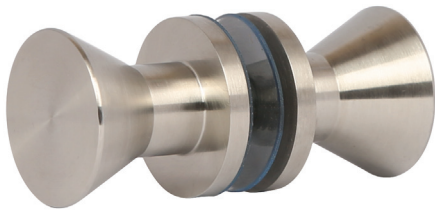
- Thickness of pipe is 2.5mm.
- Made of SS - 304 Grade.
- Finish : SS Matt/Glossy.
- Length : 2mtr / 3mtr



Shower Knob & Handle

SS - 370 / CP - 370

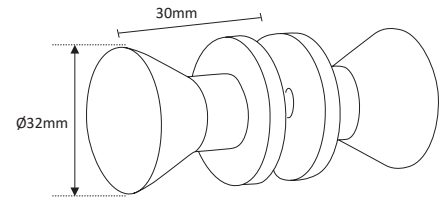
Shower Knob



PRODUCT
FEATURES

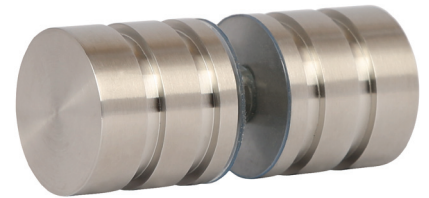
PRODUCT
TECHNICAL

- Glass door knob.
- Glass hole dia 10mm.
- Made of SS - 304 Grade.
- Finish : SS Matt / Glossy.



SS - 371 / CP - 371

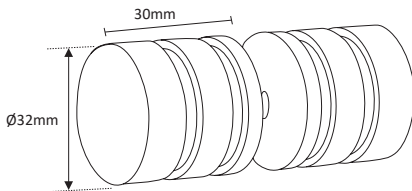
Shower Knob



PRODUCT
FEATURES

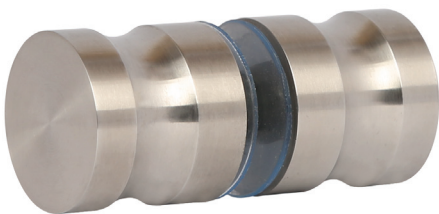
PRODUCT
TECHNICAL

- Glass door knob.
- Glass hole dia 10mm.
- Made of SS - 304 Grade.
- Finish : SS Matt / Glossy.



SS - 372 / CP - 372

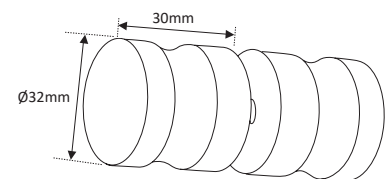
Shower Knob



PRODUCT
FEATURES

PRODUCT
TECHNICAL

- Glass door knob.
- Glass hole dia 10mm.
- Made of SS - 304 Grade.
- Finish : SS Matt / Glossy.



SS - 373 / CP - 373

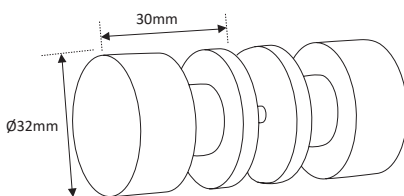
Shower Knob



PRODUCT
FEATURES

PRODUCT
TECHNICAL

- Glass door knob.
- Glass hole dia 10mm.
- Made of SS - 304 Grade.
- Finish : SS Matt / Glossy.



SS - 374 / CP - 374

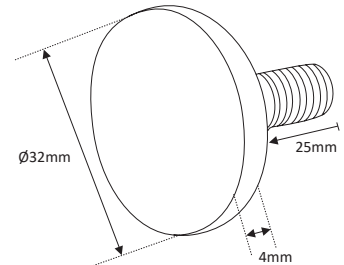
Cap for Shower Knob



PRODUCT
FEATURES

PRODUCT
TECHNICAL

- Glass hole dia 10mm.
- Made of SS - 304 Grade.
- Finish : SS Matt / Glossy.

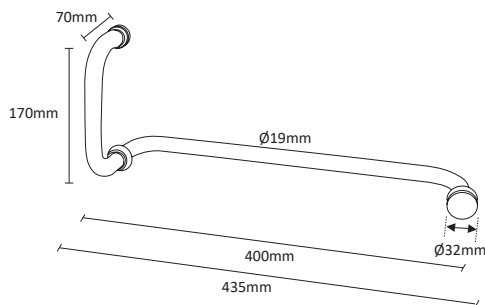


PRODUCT
FEATURES

PRODUCT
TECHNICAL

SS - 375 / CP - 375

Towel Bar with Handle



- Shower Glass Door Handle with Towel Bar.
- Towel bar outside & handle inside shower cabin.
- Made of SS - 304 Grade.
- Finish : SS Matt / Glossy.



Glass Cutout
Dimension



SS - 376 / CP - 376

Towel Bar with Knob



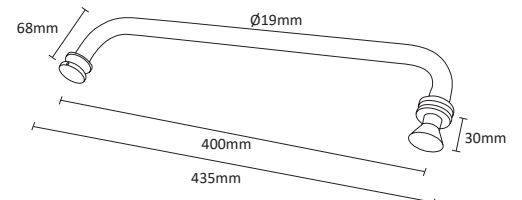
PRODUCT
FEATURES

PRODUCT
TECHNICAL

- Shower Glass Door Towel Bar with Knob.
- Towel bar outside & knob inside shower cabin.
- Made of SS - 304 Grade.
- Finish : SS Matt / Glossy.



Glass Cutout
Dimension



SS - 377 / CP - 377

Towel Bar with Knob

PRODUCT
FEATURES

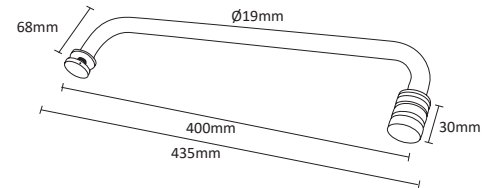
PRODUCT
TECHNICAL



- Shower Glass Door Towel Bar with Knob.
- Towel bar outside & knob inside shower cabin.
- Made of SS - 304 Grade.
- Finish : SS Matt / Glossy.



Glass Cutout
Dimension

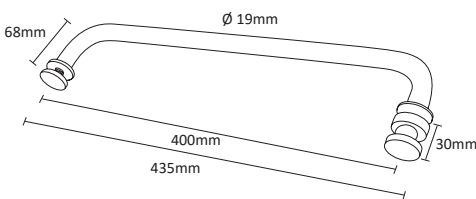


SS - 378 / CP - 378

Towel Bar with Knob

PRODUCT
FEATURES

PRODUCT
TECHNICAL



- Shower Glass Door Towel Bar with Knob.
- Towel bar outside & knob inside shower cabin.
- Made of SS - 304 Grade.
- Finish : SS Matt / Glossy



Glass Cutout
Dimension



SS - 379 / CP - 379

Towel Bar with Knob

PRODUCT
FEATURES

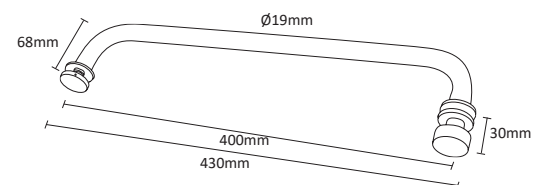
PRODUCT
TECHNICAL



- Shower Glass Door Towel Bar with Knob.
- Towel bar outside & knob inside shower cabin.
- Made of SS - 304 Grade.
- Finish : SS Matt / Glossy



Glass Cutout
Dimension



Glass Connector

SS - 241

Fix Bracket (Round Edge)



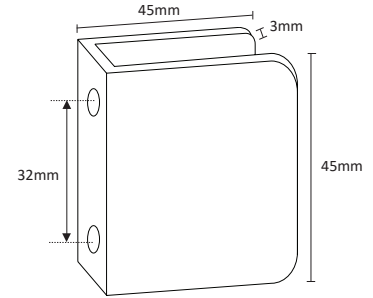
PRODUCT
FEATURES

PRODUCT
TECHNICAL

- Glass bracket wall to glass.
- Suitable for glass thickness 10/12mm.
- Made of SS - 304 Grade.
- Finish : SS Matt.



Glass Cutout
Dimension



PRODUCT
FEATURES

PRODUCT
TECHNICAL

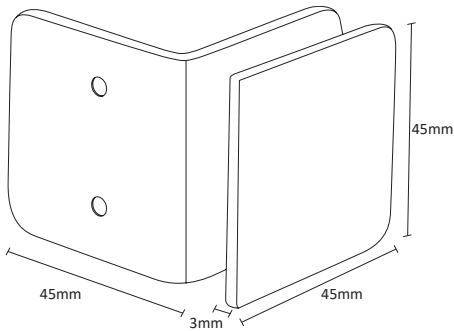
SS - 242

Wall to Glass Bracket 90°
(Round Edge)

- Glass bracket wall to glass 90°.
- Suitable for glass thickness 10/12mm.
- Made of SS - 304 Grade.
- Finish : SS Matt.



Glass Cutout
Dimension



SS - 243

Wall to Glass Bracket 180°
(Round Edge)

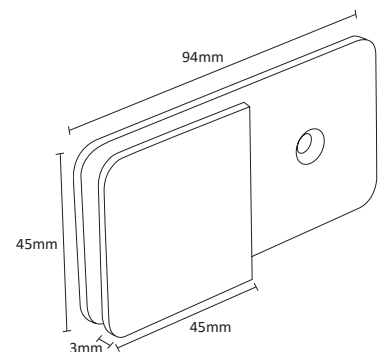
PRODUCT
FEATURES

PRODUCT
TECHNICAL

- Glass bracket wall to glass 180°.
- Suitable for glass thickness 10/12mm.
- Made of SS - 304 Grade.
- Finish : SS Matt.



Glass Cutout
Dimension



SS - 244

Glass To Glass Bracket 180°
(Round Edge)



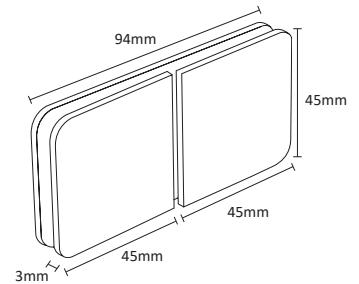
PRODUCT
FEATURES

PRODUCT
TECHNICAL

- Glass bracket glass to glass 180°.
- Suitable for glass thickness 10/12mm.
- Made of SS - 304 Grade.
- Finish : SS Matt.



Glass Cutout
Dimension



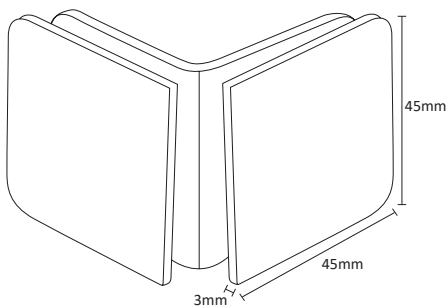
PRODUCT
FEATURES

PRODUCT
TECHNICAL

- Glass bracket glass to glass 90°.
- Suitable for glass thickness 10/12mm.
- Made of SS - 304 Grade.
- Finish : SS Matt.

SS - 245

Glass to Glass Bracket 90°
(Round Edge)



Glass Cutout
Dimension



SS - 246

'T' Glass Connector (Round Edge)



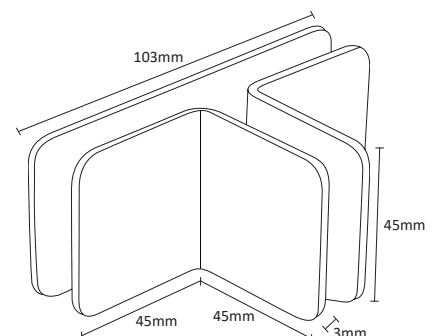
PRODUCT
FEATURES

PRODUCT
TECHNICAL

- Glass bracket glass to glass 'T' type to hold glass in 3 direction.
- Suitable for glass thickness 10/12mm.
- Made of SS - 304 Grade.
- Finish : SS Matt.



Glass Cutout
Dimension



SS - 247

Fix Bracket (Square Edge)



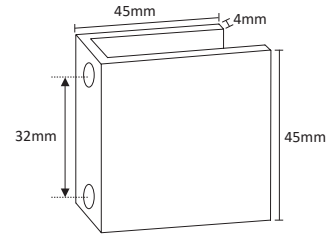
PRODUCT
FEATURES

PRODUCT
TECHNICAL

- Glass bracket wall to glass.
- Suitable for glass thickness 10/12mm.
- Made of SS - 304 Grade.
- Finish : SS Matt.



Glass Cutout
Dimension



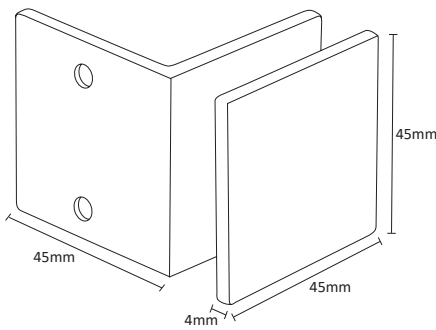
PRODUCT
FEATURES

PRODUCT
TECHNICAL

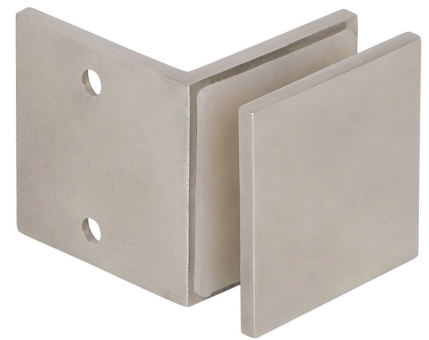
SS - 248

Wall to Glass Bracket 90°
(Square Edge)

- Glass bracket wall to glass 90°.
- Suitable for glass thickness 10/12mm.
- Made of SS - 304 Grade.
- Finish : SS Matt.



Glass Cutout
Dimension



SS - 249

Wall to Glass Bracket 180°
(Square Edge)



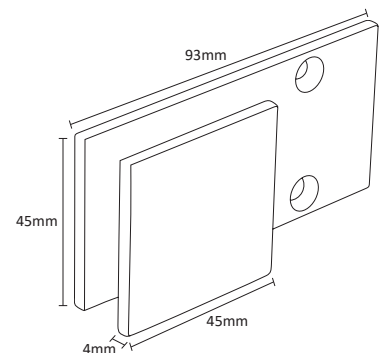
PRODUCT
FEATURES

PRODUCT
TECHNICAL

- Glass bracket wall to glass 180°.
- Suitable for glass thickness 10/12mm.
- Made of SS - 304 Grade.
- Finish : SS Matt.

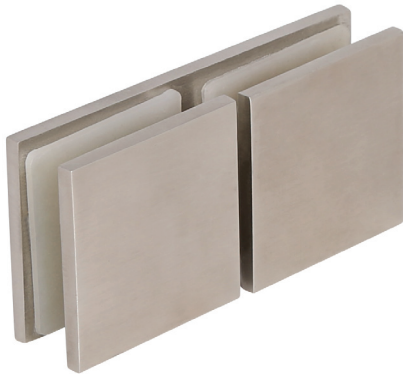


Glass Cutout
Dimension



SS - 250

Glass to Glass Bracket 180°
(Square Edge)



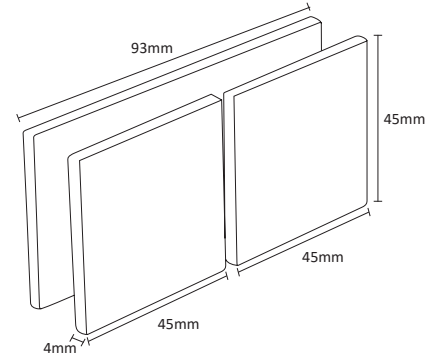
PRODUCT
FEATURES

PRODUCT
TECHNICAL

- Glass bracket glass to glass 180°.
- Suitable for glass thickness 10/12mm.
- Made of SS - 304 Grade.
- Finish : SS Matt.



Glass Cutout
Dimension



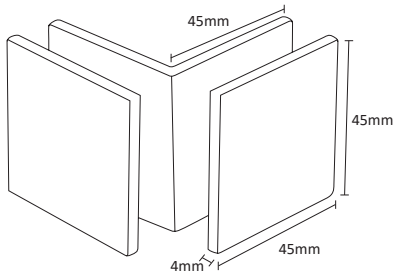
PRODUCT
FEATURES

PRODUCT
TECHNICAL

- Glass bracket glass to glass 90°.
- Suitable for glass thickness 10/12mm.
- Made of SS - 304 Grade.
- Finish : SS Matt.

SS - 251

Glass to Glass Bracket 90°
(Square Edge)



Glass Cutout
Dimension



SS - 252

'T' Glass Connector (Square Edge)



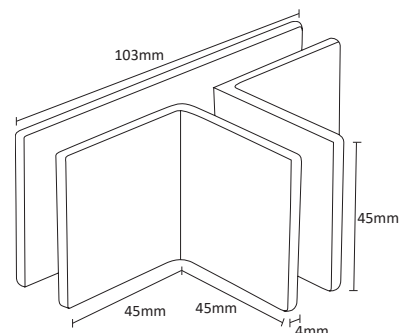
PRODUCT
FEATURES

PRODUCT
TECHNICAL

- Glass bracket glass to glass 'T' type to hold glass in 3 direction.
- Suitable for glass thickness 10/12mm.
- Made of SS - 304 grade.
- Finish : SS Matt.



Glass Cutout
Dimension



SS - 253

Fix Bracket Heavy (Square Edge)



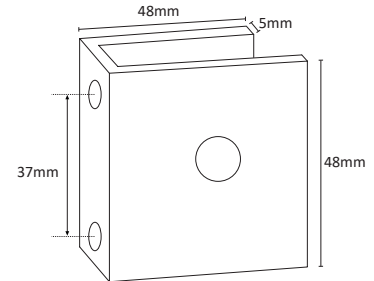
PRODUCT
FEATURES

PRODUCT
TECHNICAL

- Solid point connector.
- Glass bracket wall to glass.
- Suitable for glass thickness 10/12mm.
- Made of SS - 304 Grade.
- Finish : SS Matt.



Glass Cutout
Dimension



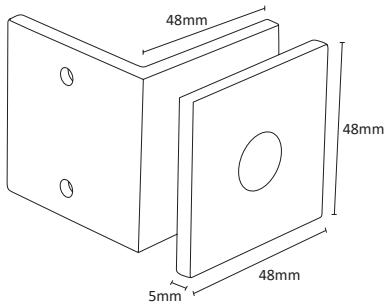
PRODUCT
FEATURES

PRODUCT
TECHNICAL

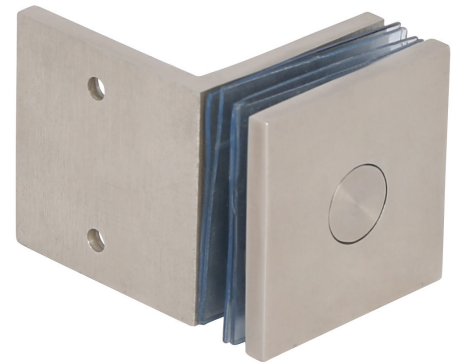
SS - 254

Wall to Glass Bracket 90° Heavy
(Square Edge)

- Solid point connector.
- Glass bracket wall to glass 90°.
- Suitable for glass thickness 10/12mm.
- Made of SS - 304 Grade.
- Finish : SS Matt.



Glass Cutout
Dimension



SS - 255

Wall to Glass Bracket 180° Heavy
(Square Edge)

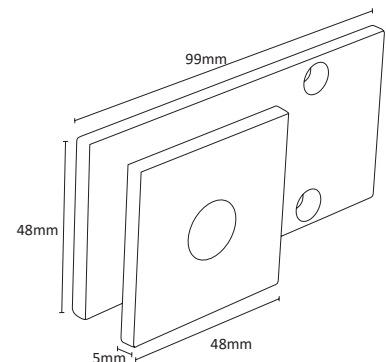
PRODUCT
FEATURES

PRODUCT
TECHNICAL

- Solid point connector.
- Glass bracket wall to glass 180°.
- Suitable for glass thickness 10/12mm.
- Made of SS - 304 Grade.
- Finish : SS Matt.



Glass Cutout
Dimension



SS - 256

Glass to Glass Bracket 180° Heavy
(Square Edge)



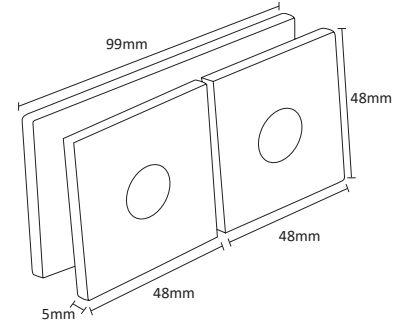
PRODUCT
FEATURES

PRODUCT
TECHNICAL

- Solid point connector.
- Glass bracket glass to glass 180°.
- Suitable for glass thickness 10/12mm.
- Made of SS - 304 Grade.
- Finish : SS Matt.

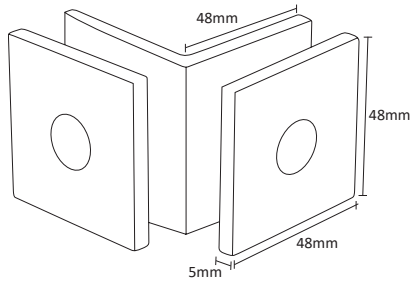


Glass Cutout
Dimension



SS - 257

Glass to Glass Bracket 90° Heavy
(Square Edge)



PRODUCT
FEATURES

PRODUCT
TECHNICAL

- Solid point connector.
- Glass bracket glass to glass 90°.
- Suitable for glass thickness 10/12mm.
- Made of SS - 304 Grade.
- Finish : SS Matt.



Glass Cutout
Dimension



SS - 258

'T' Glass Connector Heavy
(Square Edge)



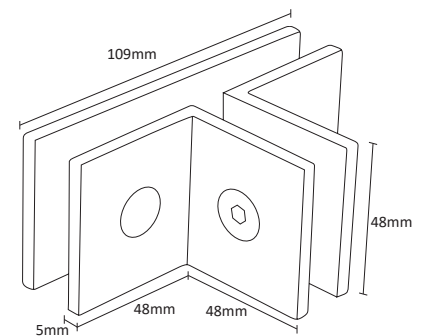
PRODUCT
FEATURES

PRODUCT
TECHNICAL

- Solid point connector.
- Glass bracket glass to glass 'T' type to hold glass in 3 direction.
- Suitable for glass thickness 10/12mm.
- Made of SS - 304 Grade.
- Finish : SS Matt.



Glass Cutout
Dimension



Patch Fitting



SS - 380

Bottom Patch



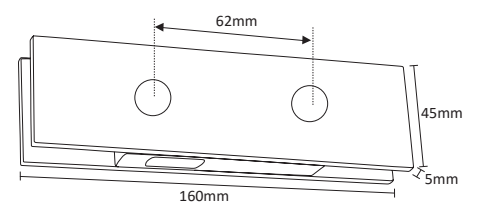
PRODUCT
FEATURES

PRODUCT
TECHNICAL

- Solid point patch fitting.
- Interchangeable patch faces to keep bolt head on same side.
- Suitable for glass thickness 10/12mm.
- Made of SS - 304 grade.
- Finish : SS Matt.



Glass Cutout
Dimension



SS - 381

Top Patch



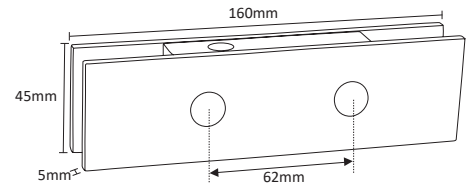
PRODUCT FEATURES

PRODUCT TECHNICAL

- Solid point patch fitting.
- Pivot hole diameter 10.3mm.
- Interchangeable patch faces to keep bolt head on same side.
- Suitable for glass thickness 10/12mm.
- Made of SS - 304 grade.
- Finish : SS Matt.



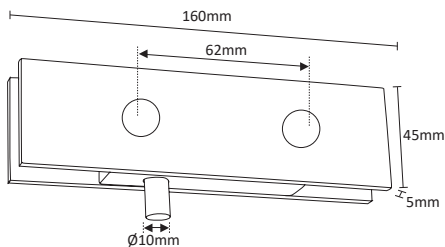
Glass Cutout Dimension



PRODUCT FEATURES

PRODUCT TECHNICAL

- Solid point patch fitting.
- With pivot pin 10mm diameter.
- Interchangeable patch faces to keep bolt head on same side.
- Suitable for glass thickness 10/12mm.
- Made of SS - 304 grade.
- Finish : SS Matt.



Glass Cutout Dimension



SS - 382

Over Panel Pivot Patch



SS - 383

Over Panel Pivot With Plate



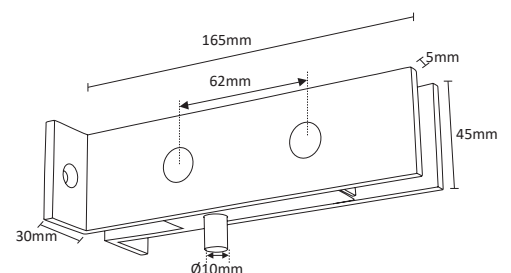
PRODUCT FEATURES

PRODUCT TECHNICAL

- Solid point patch fitting.
- With pivot pin 10mm diameter.
- Interchangeable patch faces to keep bolt head on same side.
- Suitable for glass thickness 10/12mm.
- Made of SS - 304 grade.
- Finish : SS Matt.



Glass Cutout Dimension



SS - 384

Over Panel 'L' Patch With Pivot



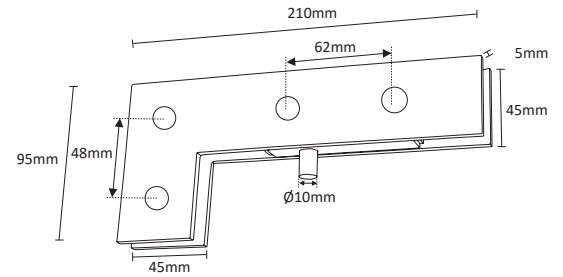
PRODUCT
FEATURES

PRODUCT
TECHNICAL

- Solid point patch fitting.
- With pivot pin 10mm diameter.
- Interchangeable patch faces to keep bolt head on same side.
- Suitable for glass thickness 10/12mm.
- Made of SS - 304 Grade.
- Finish : SS Matt.



Glass Cutout
Dimension



SS - 385

Small 'L' Corner



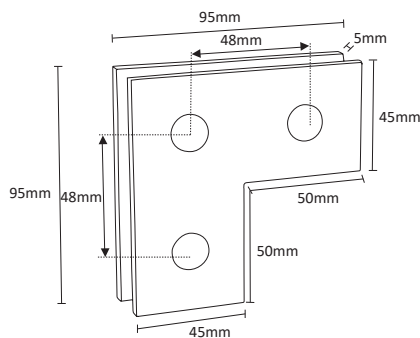
PRODUCT
FEATURES

PRODUCT
TECHNICAL

- Solid point patch fitting.
- Interchangeable patch faces to keep bolt head on same side.
- Suitable for glass thickness 10/12mm
- Made of SS - 304 grade.
- Finish : SS Matt.



Glass Cutout
Dimension



SS - 386

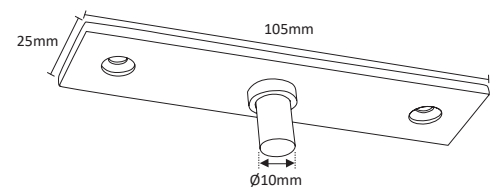
Over Panel Wooden Pivot



PRODUCT
FEATURES

PRODUCT
TECHNICAL

- Top pivot with 10mm diameter pin.
- Pivot held in overhead structure.
- Made of SS - 304 grade.
- Finish : SS Matt.



SS - 387

Double Over Panel Pivot Patch



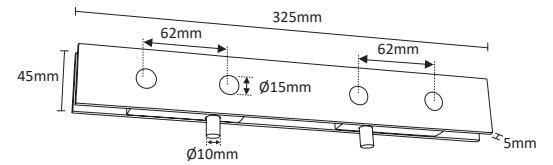
PRODUCT FEATURES

PRODUCT TECHNICAL

- Solid point patch fitting.
- With pivot pin 10mm diameter.
- Can hold 2 glass door in single patch.
- Made of SS - 304 grade.
- Finish : SS Matt.



Glass Cutout Dimension



SS - 388

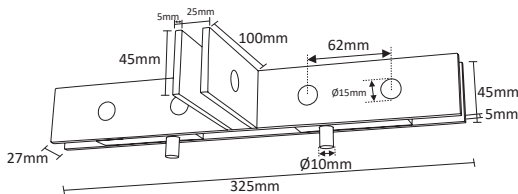
Double Over Panel Pivot Patch with Fin



PRODUCT FEATURES

PRODUCT TECHNICAL

- Solid point patch fitting.
- With pivot pin 10mm diameter.
- Can hold 2 glass door and 1 fix glass in single patch.
- Made of SS - 304 grade.
- Finish : SS Matt.



Glass Cutout Dimension



SS - 389 R / SS - 389 L

Over Panel 'L' Patch with Fin (Left & Right)



Right



Left

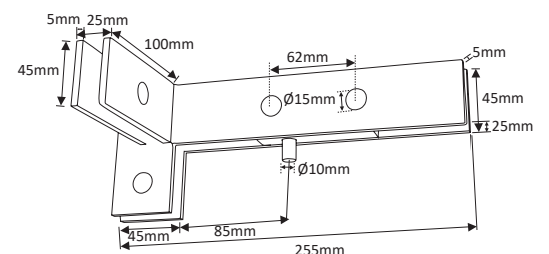
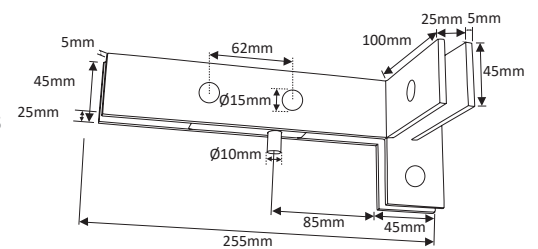
PRODUCT FEATURES

PRODUCT TECHNICAL

- Solid point patch fitting.
- With pivot pin 10mm diameter.
- Can hold 1 glass door and 2 fix glass in single patch.
- Left handed fin.
- Right handed fin.
- Made of SS - 304 grade.
- Finish : SS Matt.

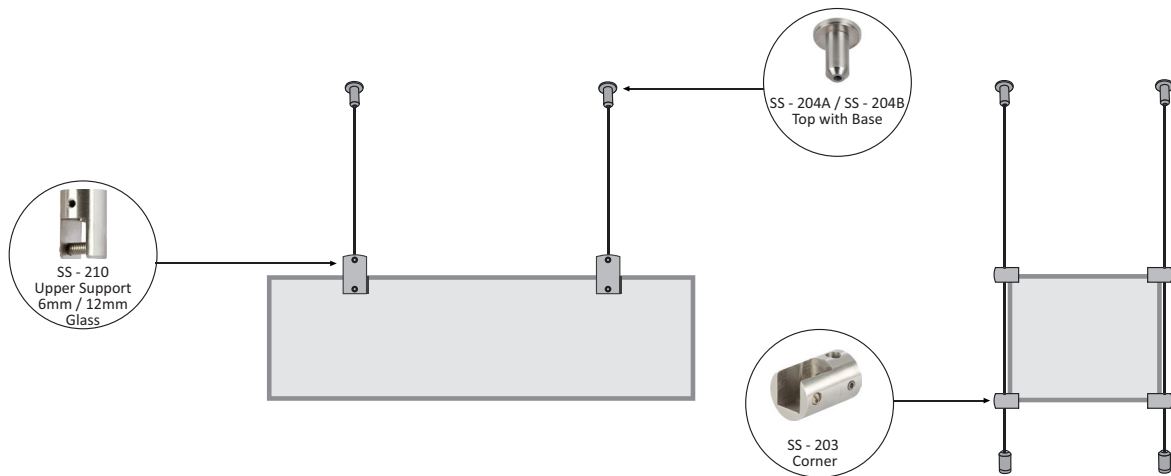
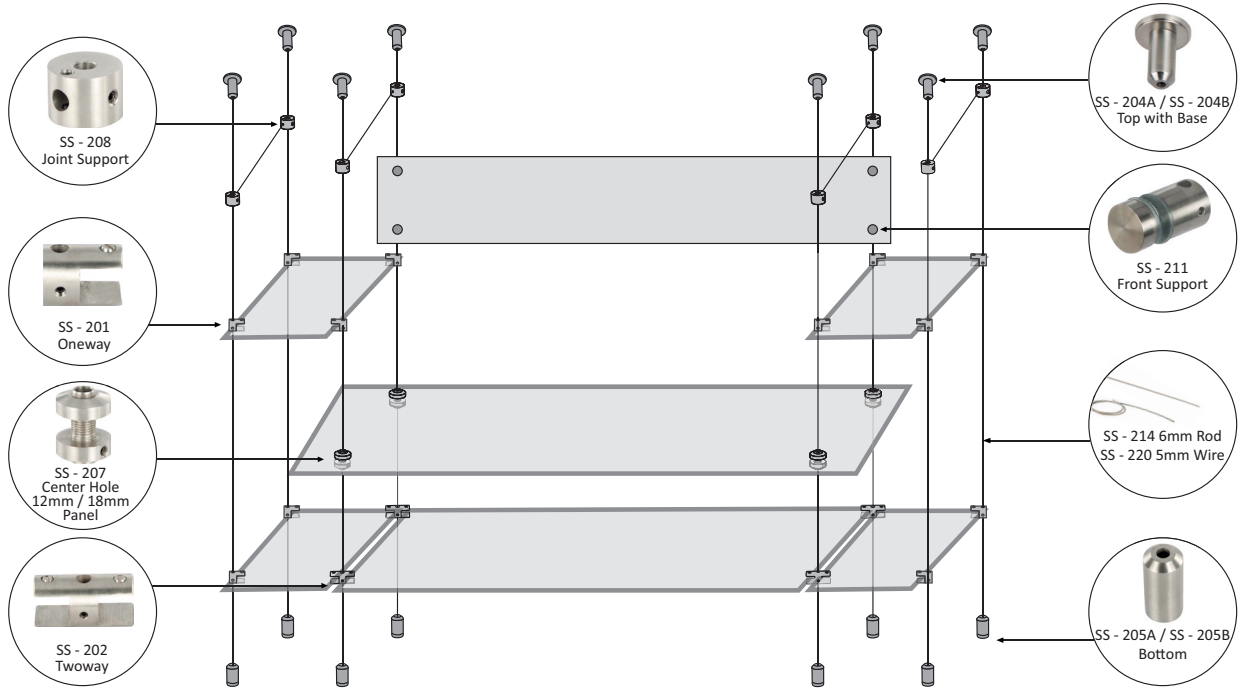


Glass Cutout Dimension



Glass Shelving System

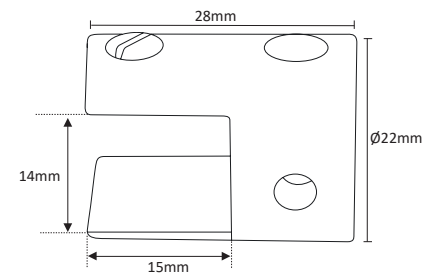
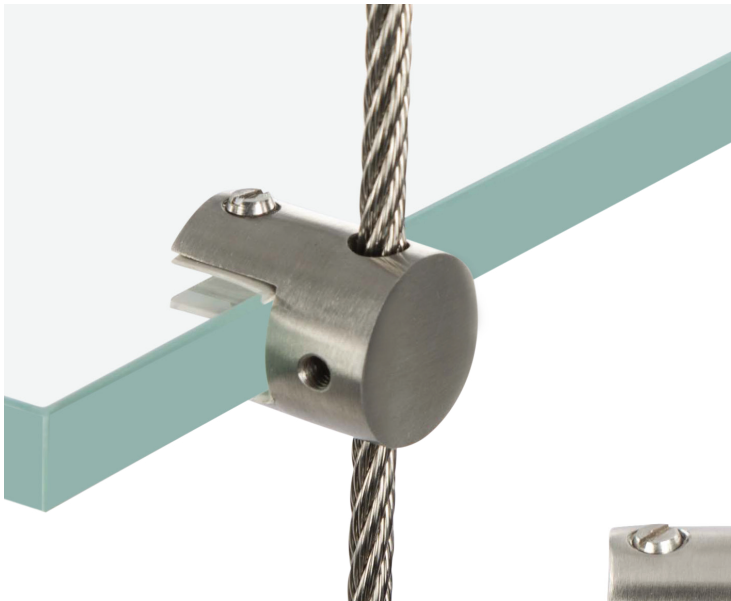
5mm wire & 6mm rod shelving system application
Suitable for 12mm glass



Glass Shelving System for 5mm Wire

SS - 201

Oneway



PRODUCT
FEATURES

PRODUCT
TECHNICAL

- Oneway glass holding.
- For 12mm glass.
- Material : Stainless Steel.
- Finish : SS Matt.



PRODUCT
FEATURES

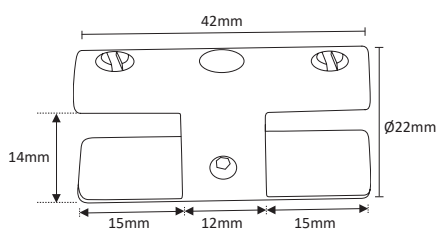
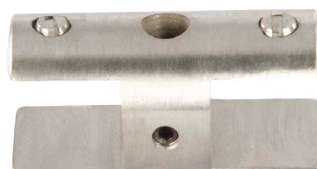
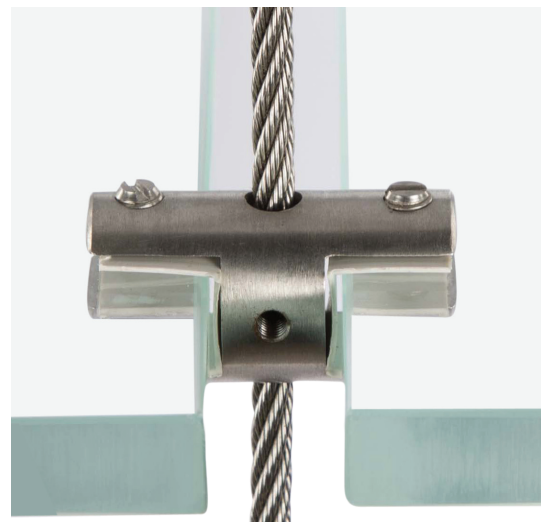
PRODUCT
TECHNICAL

- Twoway glass hold with single rope.
- For 12mm glass.
- Material : Stainless Steel.
- Finish : SS Matt.



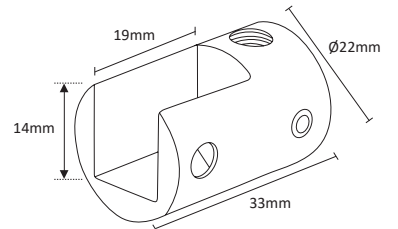
SS - 202

Twoway



SS - 203

Corner



PRODUCT
FEATURES

PRODUCT
TECHNICAL

- Corner for glass holder vertical application.
- For 12mm glass.
- Material : Stainless Steel.
- Finish : SS Matt.



PRODUCT
FEATURES

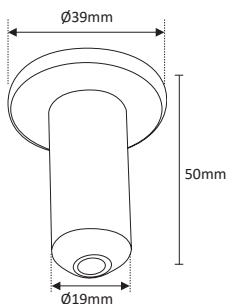
PRODUCT
TECHNICAL

- Top with base for better holding on ceiling.
- Material : Stainless Steel.
- Finish : SS Matt.



SS - 204B

Top with Base for 5mm Wire



SS - 205B

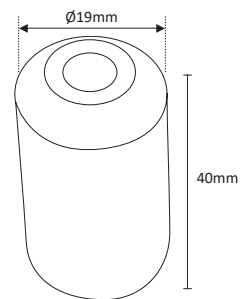
Bottom for 5mm Wire



PRODUCT
FEATURES

PRODUCT
TECHNICAL

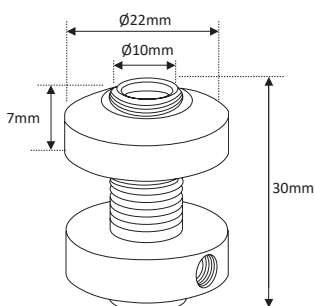
- Bottom to fit at floor for better holding.
- Material : Stainless Steel.
- Finish : SS Matt.



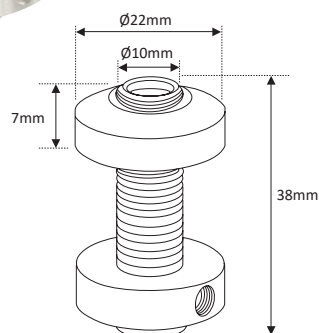
PRODUCT
FEATURES

PRODUCT
TECHNICAL

- Hole require on the panel.
- For 12mm panel & 18mm panel.
- Material : Stainless Steel.
- Finish : SS Matt.



12mm Panel



18mm Panel

SS - 207 - 12 / SS - 207 - 18

Center (Hole Fixing) for 12mm panel.
Center (Hole Fixing) for 18mm panel.

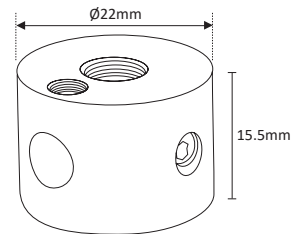


SS - 208

Joint Support

PRODUCT
FEATURES

PRODUCT
TECHNICAL



- Joint support to hold rack for better holding.
- Material : Stainless Steel.
- Finish : SS Matt.



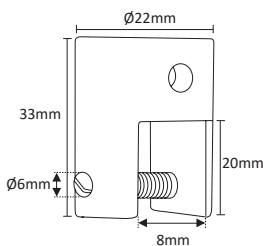
PRODUCT
FEATURES

PRODUCT
TECHNICAL

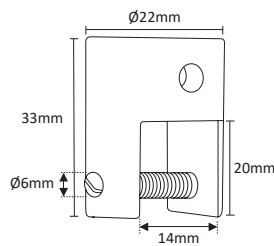
SS - 210 - 06 / SS - 210 - 12

Upper Support for 6mm panel
Upper Support for 12mm panel

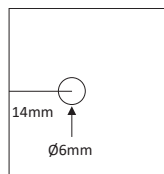
- For 6mm panel & 12mm panel.
- Material : Stainless Steel.
- Finish : SS Matt.



6mm Panel

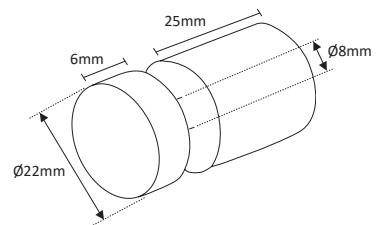


12mm Panel



SS - 211

Front Support (Dom)



PRODUCT
FEATURES

PRODUCT
TECHNICAL

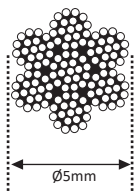
- For 4mm to 12mm Panel vertical application
- Material : Stainless Steel.
- Finish : SS Matt.



PRODUCT
FEATURES

PRODUCT
TECHNICAL

- Material : Stainless Steel 304 Grade.
- Finish : SS Matt.



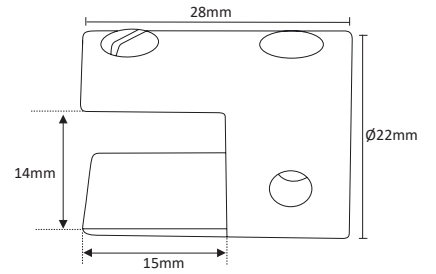
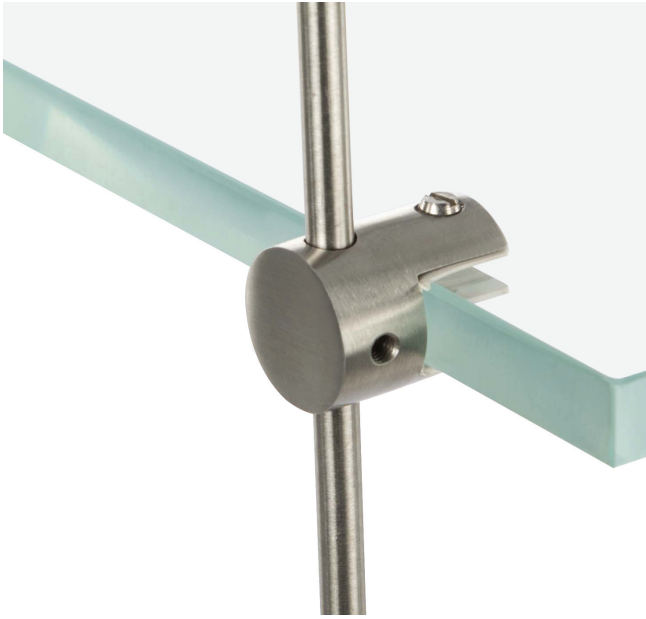
SS - 220

5mm SS Wire

Glass Shelving System for 6mm Rod

SS - 201

Oneway



PRODUCT
FEATURES

PRODUCT
TECHNICAL

- Oneway glass holding.
- For 12mm glass.
- Material : Stainless Steel.
- Finish : SS Matt.



PRODUCT
FEATURES

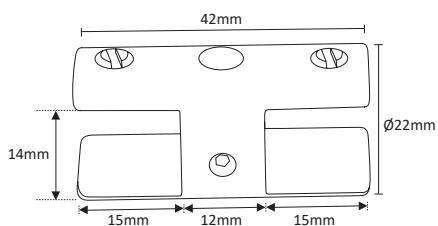
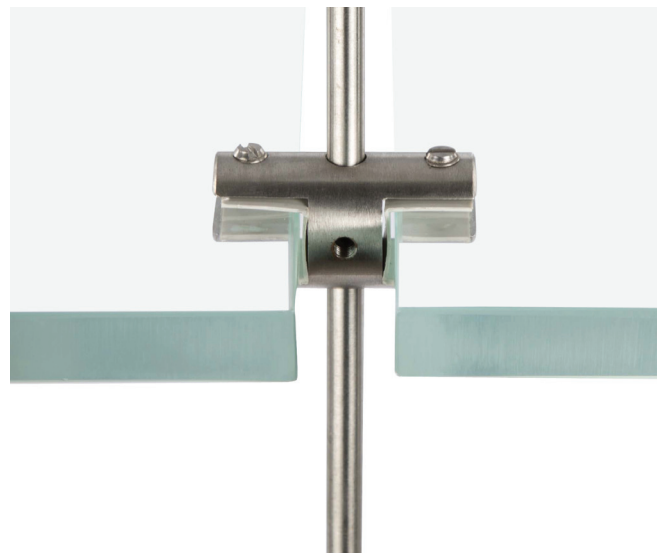
PRODUCT
TECHNICAL

- Twoway glass hold with single rod.
- For 12mm glass.
- Material : Stainless Steel.
- Finish : SS Matt.



SS - 202

Twoway

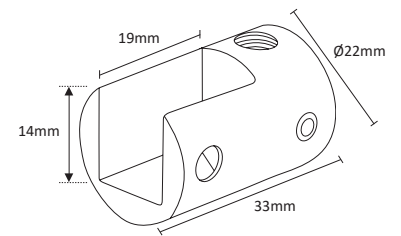
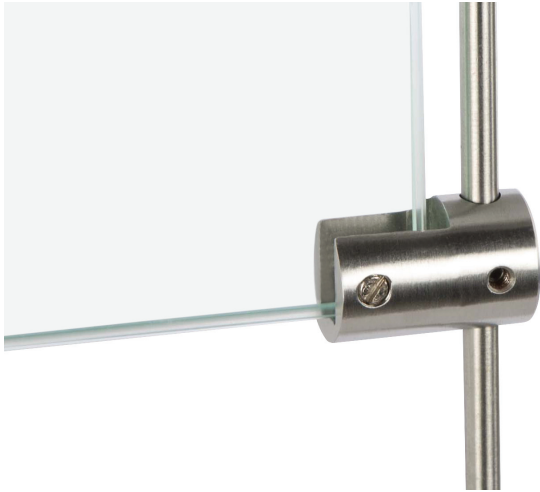


SS - 203

Corner

PRODUCT
FEATURES

PRODUCT
TECHNICAL



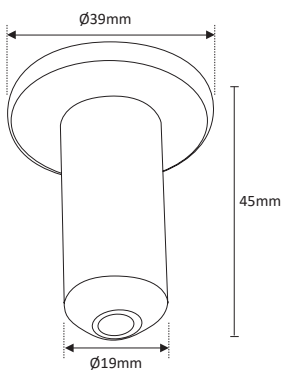
- Corner for glass holder vertical application.
- For 12mm Glass.
- Material : Stainless Steel.
- Finish : SS Matt.



PRODUCT
FEATURES

PRODUCT
TECHNICAL

- Top with base for better holding on ceiling.
- Material : Stainless Steel
- Finish : SS Matt



SS - 204 A

Top with Base for 6mm Rod



SS - 205 A

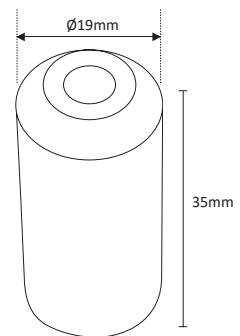
Bottom for 6mm Rod



PRODUCT
FEATURES

PRODUCT
TECHNICAL

- Bottom to fit at floor for better holding.
- Material : Stainless Steel
- Finish : SS Matt



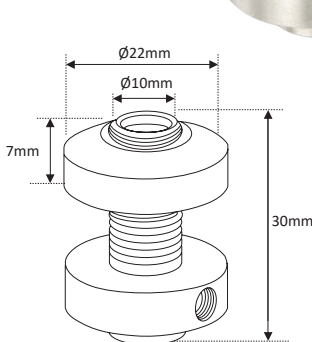
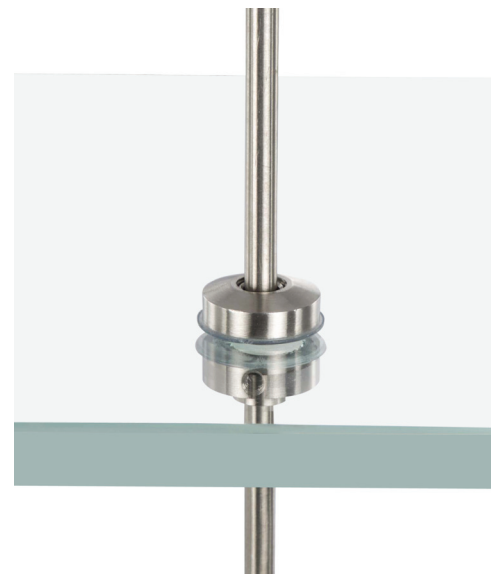
PRODUCT
FEATURES

PRODUCT
TECHNICAL

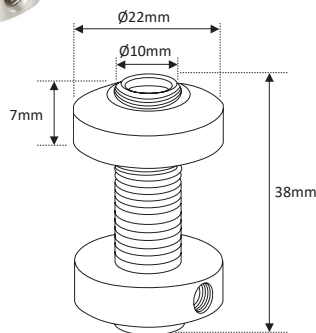
SS - 207 - 12 / SS - 207 - 18

Center (Hole Fixing) for 12mm panel.
Center (Hole Fixing) for 18mm panel.

- Hole required on the panel.
- For 12mm panel & 18mm panel.
- Material : Stainless Steel.
- Finish : SS Matt.



12mm Panel



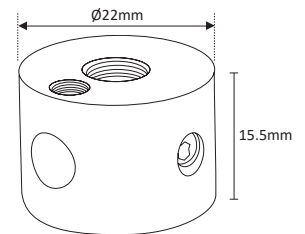
18mm Panel

SS - 208

Joint Support

PRODUCT
FEATURES

PRODUCT
TECHNICAL



- Joint Support to hold rack for better holding.
- Material : Stainless Steel.
- Finish : SS Matt.



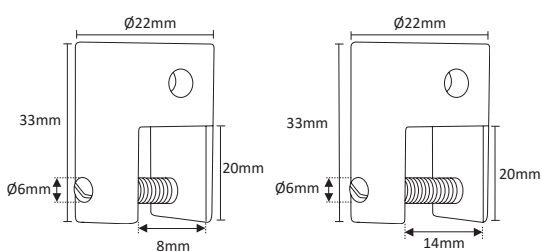
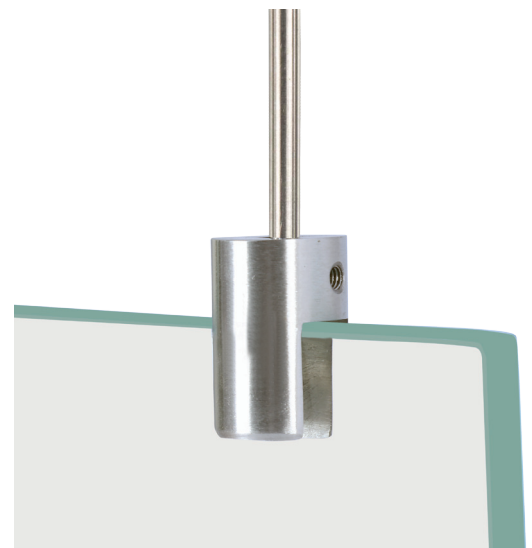
PRODUCT
FEATURES

PRODUCT
TECHNICAL

SS - 210 - 06 / SS - 210 - 12

Upper Support for 6mm panel.
Upper Support for 12mm panel.

- For 6mm panel & 12mm panel.
- Material : Stainless Steel.
- Finish : SS Matt.

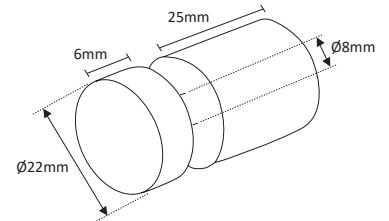
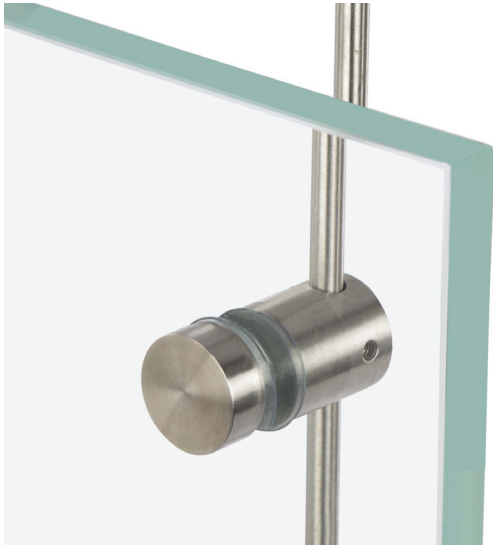


6mm Panel

12mm Panel

SS - 211

Front Support Dom



PRODUCT
FEATURES

PRODUCT
TECHNICAL

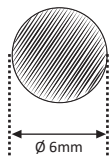
- For 4mm to 12mm panel vertical application.
- Material : Stainless Steel.
- Finish : SS Matt.



PRODUCT
FEATURES

PRODUCT
TECHNICAL

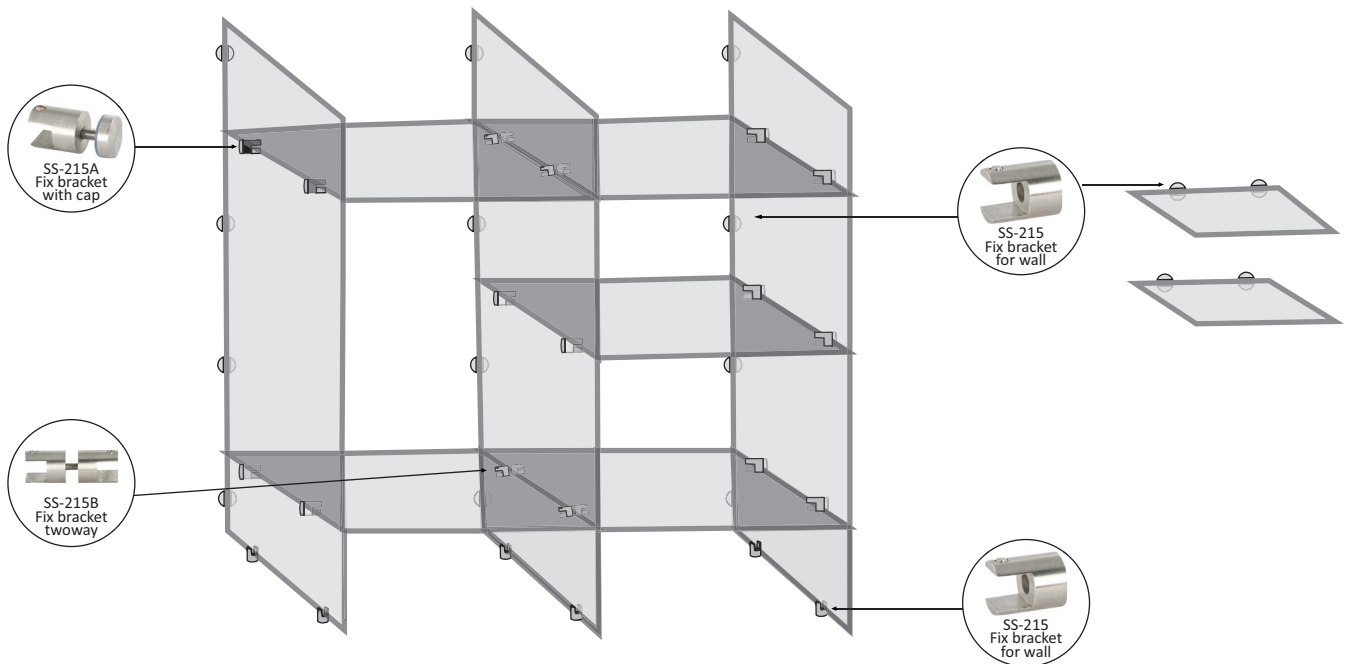
- Available Length : 8 feet, 10 feet & 12 feet
- Material : Stainless Steel.
- Finish : SS Matt.



SS - 214

6mm SS Rod

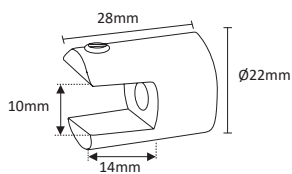
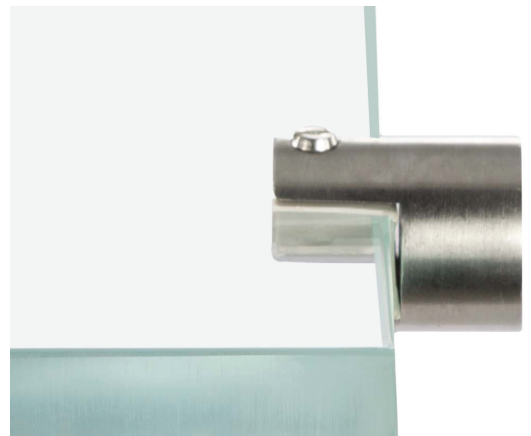
Application of Fix Brackets
Suitable for 12mm & 8mm Glass



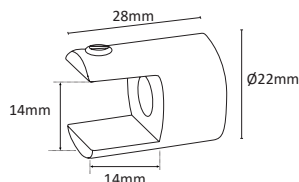
PRODUCT FEATURES	PRODUCT TECHNICAL
---------------------	----------------------

SS - 215 - 08 / SS - 215 - 12
Fix Bracket For Wall 8mm Glass
Fix Bracket For Wall 12mm Glass

- For 8mm Glass & 12mm Glass.
- Material : Stainless Steel.
- Finish : SS Matt.



8mm Glass



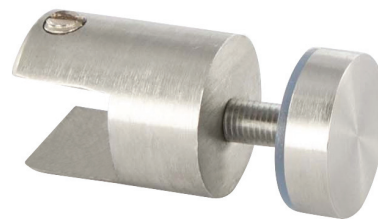
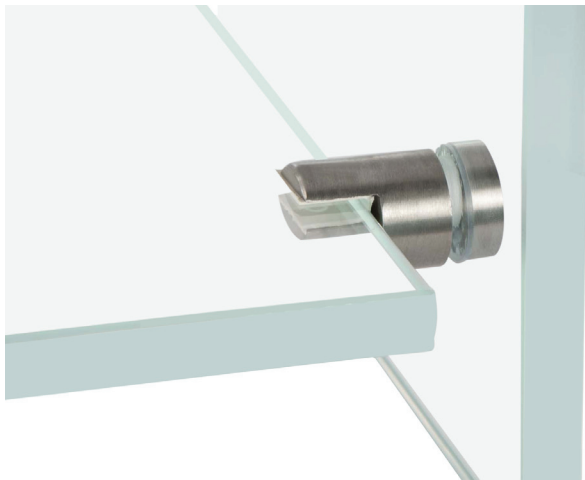
12mm Glass

SS - 215A - 08 / SS - 215A - 12

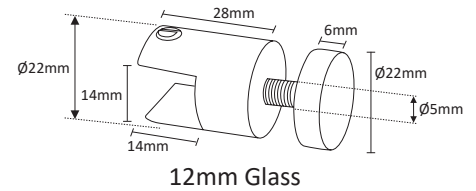
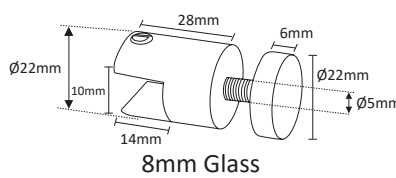
Fix Bracket with Cap for 8mm Glass
Fix Bracket with Cap for 12mm Glass

PRODUCT
FEATURES

PRODUCT
TECHNICAL



- For 8mm Glass & 12mm Glass.
- Material : Stainless Steel.
- Finish : SS Matt.



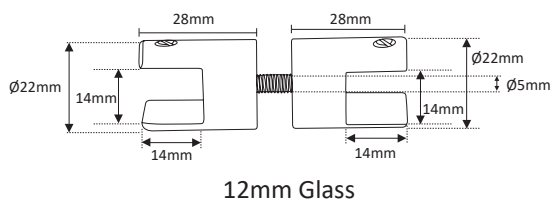
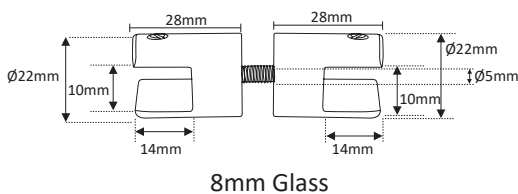
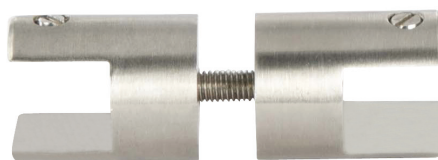
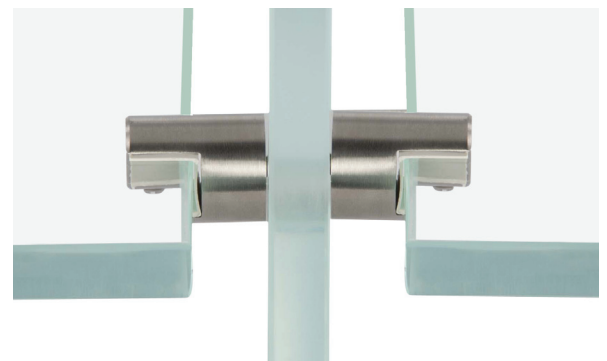
PRODUCT
FEATURES

PRODUCT
TECHNICAL

SS - 215B - 08 / SS - 215B - 12

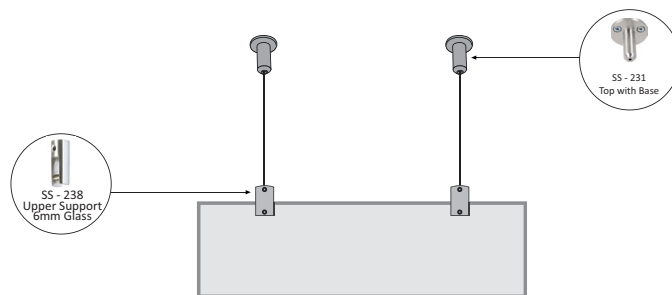
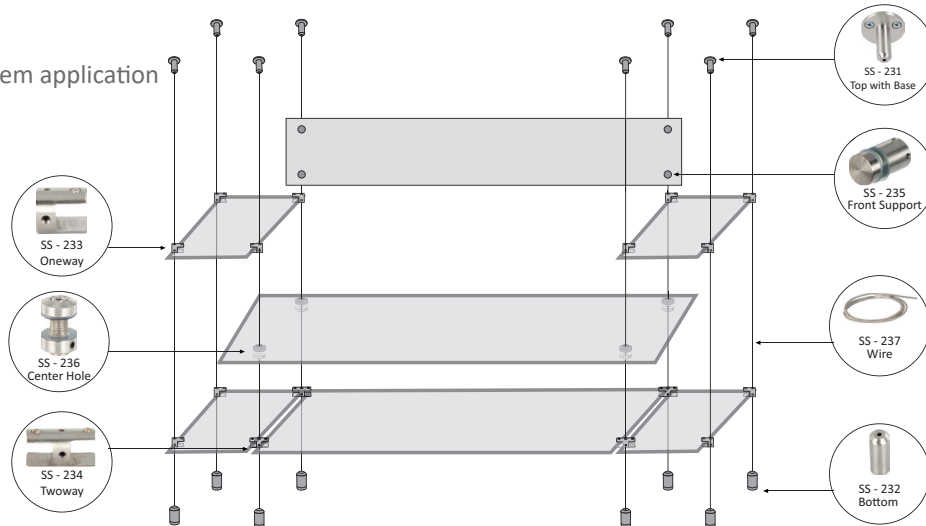
Fix Bracket Twoway for 8mm Glass
Fix Bracket Twoway for 12mm Glass

- For 8mm Glass & 12mm Glass.
- Material : Stainless Steel.
- Finish : SS Matt.



Glass Shelving System for 2.5mm Wire

2.5mm wire shelving system application
Suitable for 12mm glass



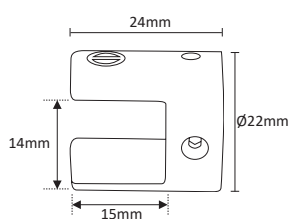
PRODUCT FEATURES	PRODUCT TECHNICAL
------------------	-------------------

- Oneway Glass Holding.
- For 12mm Glass.
- Material : Stainless Steel.
- Finish : SS Matt.



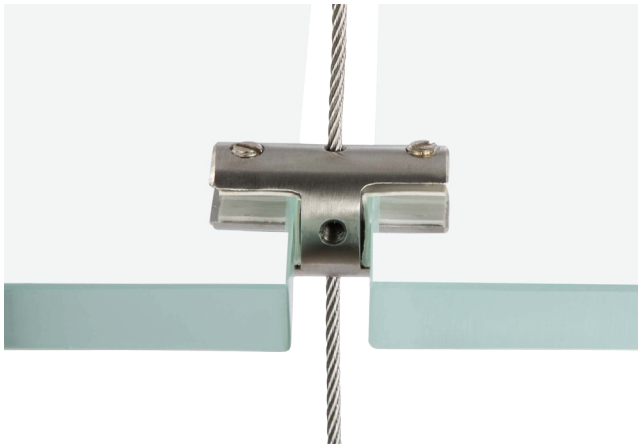
SS - 233

Oneway



SS - 234

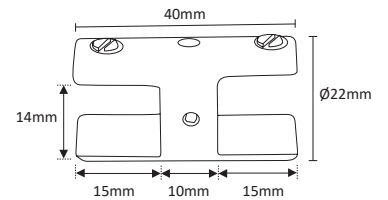
Twoway



PRODUCT
FEATURES

PRODUCT
TECHNICAL

- Twoway Glass hold with single rope.
- For 12mm glass.
- Material : Stainless Steel.
- Finish : SS Matt.



PRODUCT
FEATURES

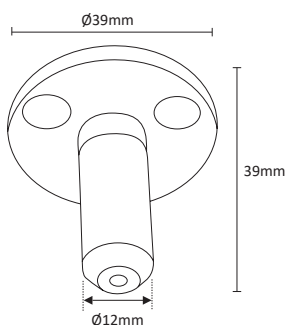
PRODUCT
TECHNICAL

- Top with base for better holding on ceiling.
- Material : Stainless Steel.
- Finish : SS Matt.



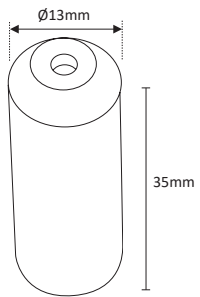
SS - 231

Top with Base



SS - 232

Bottom



PRODUCT
FEATURES

PRODUCT
TECHNICAL

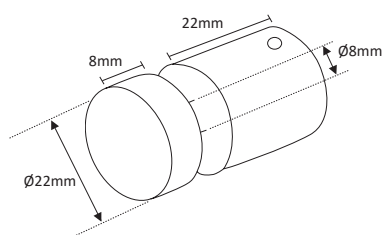
- Bottom to fit at floor for better holding.
- Material : Stainless Steel.
- Finish : SS Matt.



PRODUCT
FEATURES

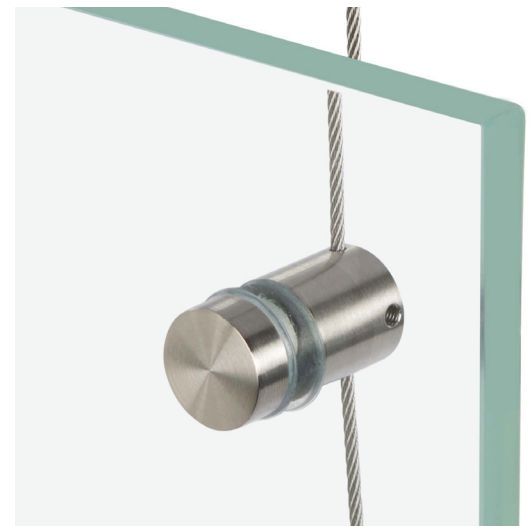
PRODUCT
TECHNICAL

- For 4mm to 12mm Panel vertical application.
- Material : Stainless Steel.
- Finish : SS Matt.



SS - 235

Front Support (Dom)



SS - 236

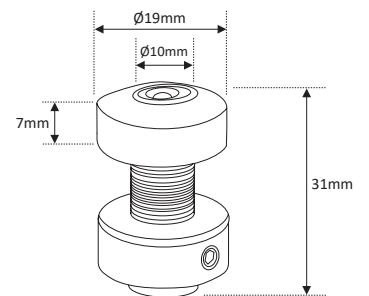
Centre (Hole Fixing)



PRODUCT
FEATURES

PRODUCT
TECHNICAL

- Hole required on Panel.
- For 12mm Panel.
- Material : Stainless Steel.
- Finish : SS Matt.



PRODUCT
FEATURES

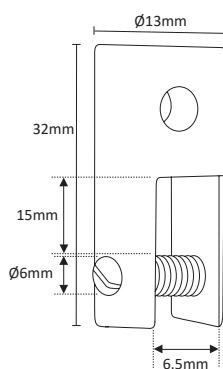
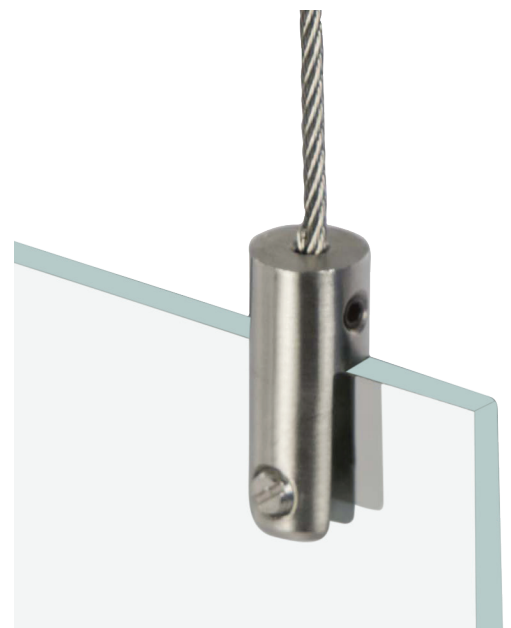
PRODUCT
TECHNICAL

- For 6mm Glass.
- Material : Stainless Steel.
- Finish : SS Matt.



SS - 238

Upper Support



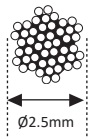
SS - 237

2.5mm SS Wire

PRODUCT
FEATURES

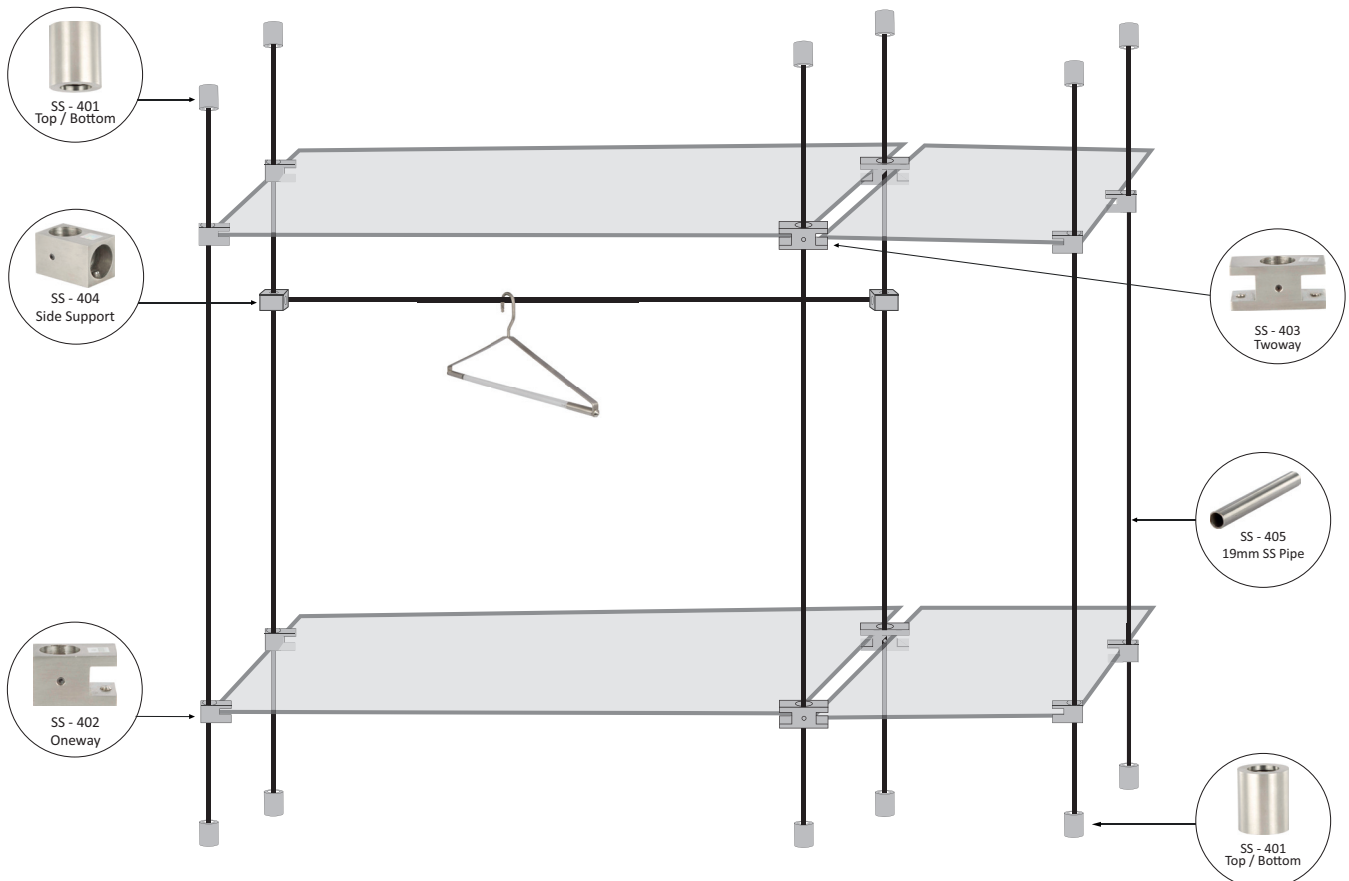
PRODUCT
TECHNICAL

- Material : Stainless Steel.
- Finish : SS Matt.



Glass Shelving System for 19mm Pipe

19mm Pipe shelving system application
Suitable for 12mm glass



SS - 401

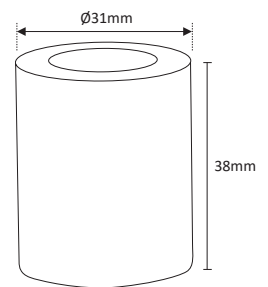
Top / Bottom



PRODUCT
FEATURES

PRODUCT
TECHNICAL

- Fit at top / bottom of the pipe to hold rack.
- Material : Stainless Steel.
- Finish : SS Matt.



PRODUCT
FEATURES

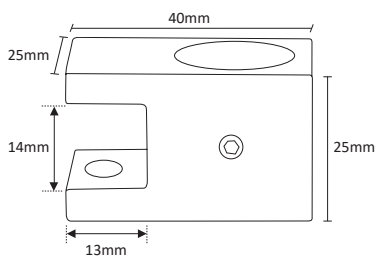
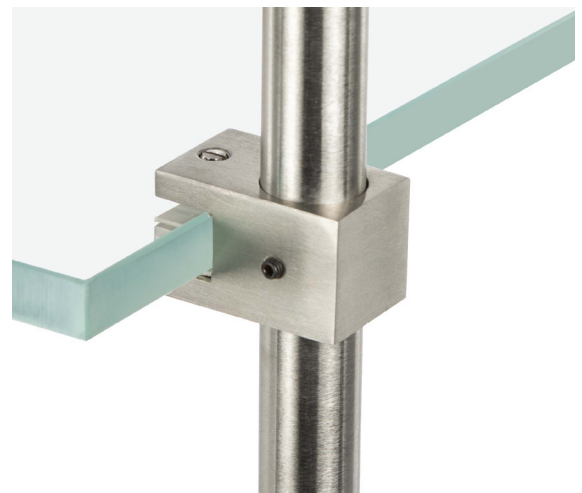
PRODUCT
TECHNICAL

- Oneway Glass holding.
- For 12mm Glass.
- Material : Stainless Steel.
- Finish : SS Matt.



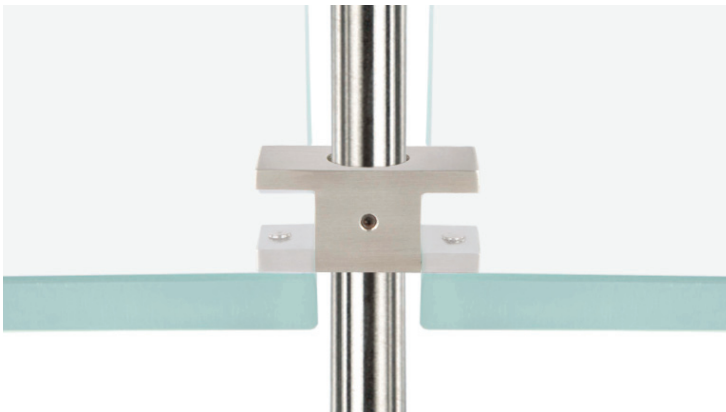
SS - 402

Oneway



SS - 403

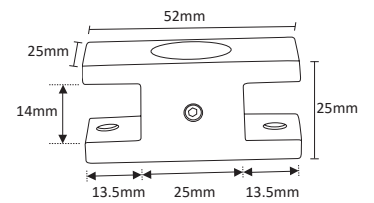
Twoway



PRODUCT
FEATURES

PRODUCT
TECHNICAL

- Twoway glass hold with single pipe.
- Material : Stainless Steel
- Finish : SS Matt



PRODUCT
FEATURES

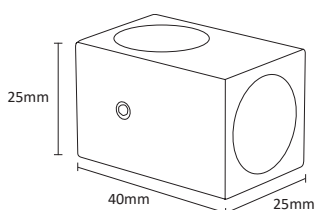
PRODUCT
TECHNICAL

- Side support to hold rack to hanger rod.
- Material : Stainless Steel.
- Finish : SS Matt.



SS - 404

Side Support



SS - 405

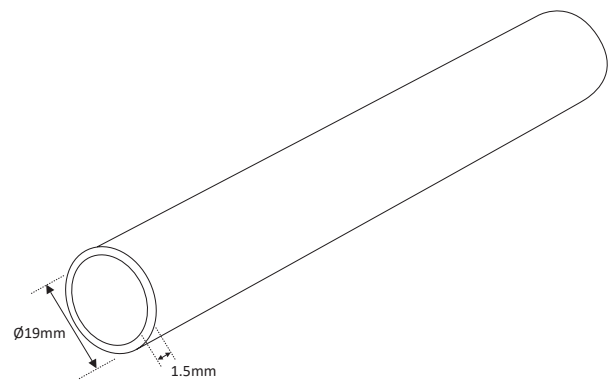
19mm SS Pipe



PRODUCT
FEATURES

PRODUCT
TECHNICAL

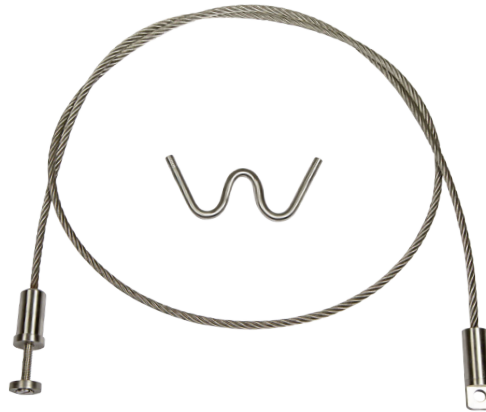
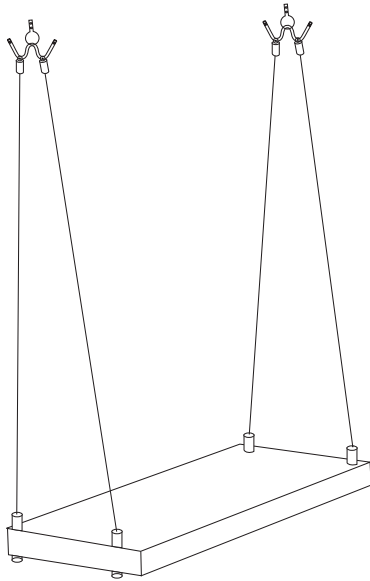
- Available Length : 8 feet, 10 feet & 12 feet.
- Material : Stainless Steel (202)
- Finish : SS Matt.



Jhulla Fitting

SS - 075

Jhulla Fitting



PRODUCT
FEATURES

PRODUCT
TECHNICAL

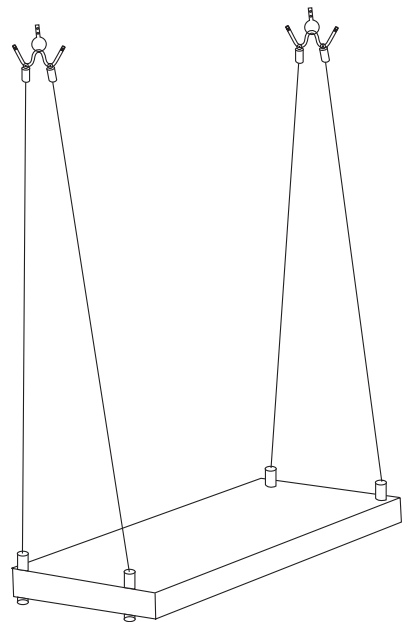
- Available in 8mm Wire.
- Material : Stainless Steel.
- Finish : SS Matt.
- Standard Size : 84 inch (Customized size will be available as per order).
- Full Set Consist of 2 pc 'W' Kada & 4 pc Wire with Top & Bottom.



PRODUCT
FEATURES

PRODUCT
TECHNICAL

- Available in 8mm Wire.
- SS Wire with PVC Pipe on it.
- Material : Stainless Steel.
- Finish : SS Matt.
- Standard Size : 84 inch (Customized size will be available as per order).
- Full Set Consist of 2 pc 'W' Kada & 4 pc Wire with Top & Bottom.



SS - 085

Jhulla Fitting with PVC Pipe

SS - 080

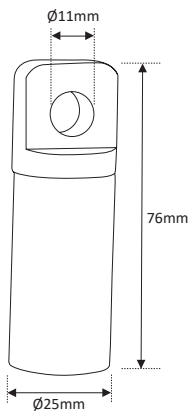
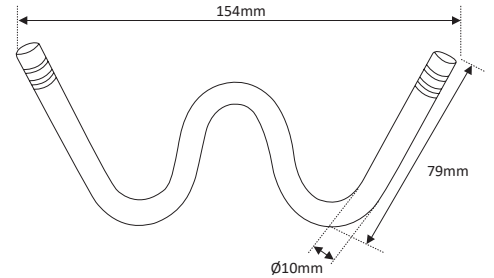
'W' Kada for Jhulla Fitting



PRODUCT
FEATURES

PRODUCT
TECHNICAL

- Material : Stainless Steel.
- Finish : SS Matt.



PRODUCT
FEATURES

PRODUCT
TECHNICAL

- Material : Stainless Steel.
- Finish : SS Matt.



SS - 087 A

Top for Jhulla Fitting



SS - 087 B

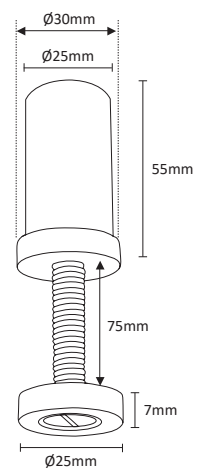
Bottom for Jhulla Fitting with Screw



PRODUCT
FEATURES

PRODUCT
TECHNICAL

- Material : Stainless Steel.
- Finish : SS Matt.



Loaft Lock

SS - 106 - 25

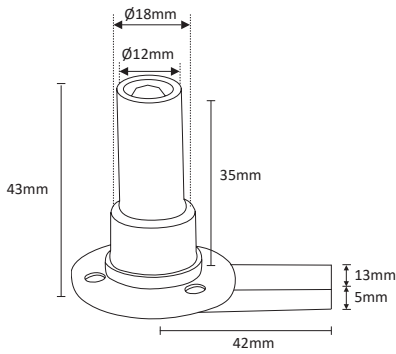
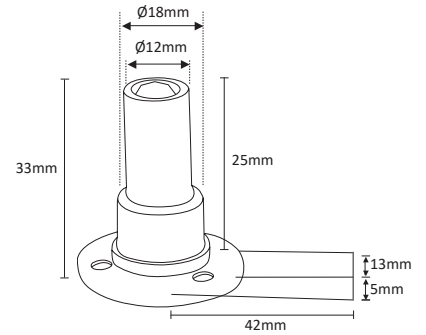
Loaft Lock



PRODUCT
FEATURES

PRODUCT
TECHNICAL

- For 25mm Panel.
- Material : Stainless Steel.
- Finish : SS Matt.



PRODUCT
FEATURES

PRODUCT
TECHNICAL

- For 35mm Panel.
- Material : Stainless Steel.
- Finish : SS Matt.



SS - 106 - 35

Loaft Lock



SS - 108 - 35

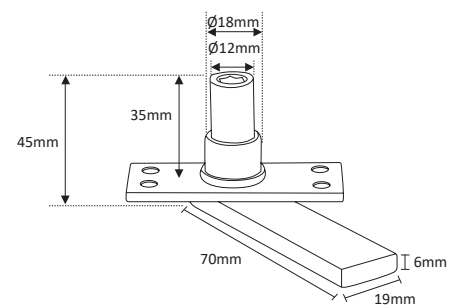
Loaft Lock Heavy



PRODUCT
FEATURES

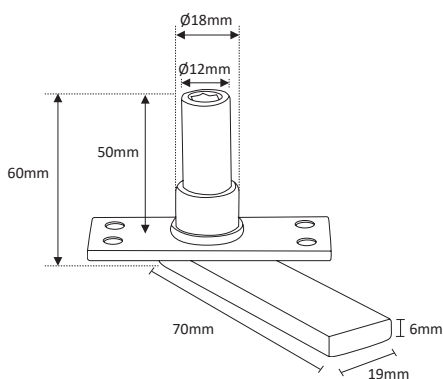
PRODUCT
TECHNICAL

- For 35mm Panel.
- For Heavy Duty Application.
- Material : Stainless Steel.
- Finish : SS Matt.



SS - 108 - 50

Loaft Lock Heavy



PRODUCT
FEATURES

PRODUCT
TECHNICAL

- For 50mm Panel
- For Heavy Duty Application.
- Material : Stainless Steel.
- Finish : SS Matt.



SS - 107

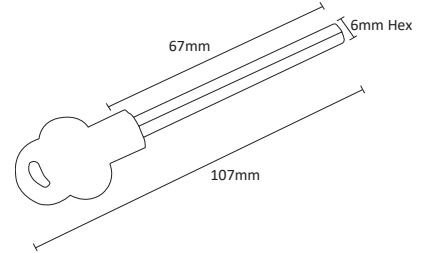
Loaft Lock Key



PRODUCT
FEATURES

PRODUCT
TECHNICAL

- Material : Stainless Steel.
- Finish : SS Matt.



'C' Shunk Stud & Key

SS - 161

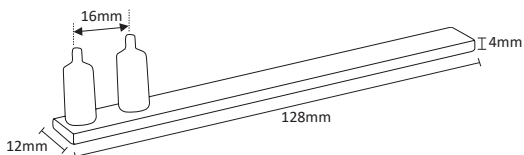
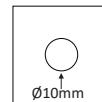
'C' Shunk Stud



PRODUCT
FEATURES

PRODUCT
TECHNICAL

- Made of SS - 304 Grade
- Finish : SS Matt.
- Size : 19mm, 38mm, 100mm



PRODUCT
FEATURES

PRODUCT
TECHNICAL

- Made of Stainless Steel
- Finish : SS Matt.



SS - 162

Key for 'C' Shunk Stud



Conditions and Information

1. Given Dimensions are approx and for reference purpose. take actual product before making cutout.
2. If possible please use toughened glass and always fasten all of the fixing screws to avoid any accidents. Company will not be responsible for such cases.
3. The surface finishing of the products shown in the catalogue may differ from actual finish.
4. All the sizes mentioned are in mm and are written approximately.

tataria

driven by innovation

Tataria's Hardware Innovation

B-203 / 204, Excel Plaza, 90 Feet Road, Pant Nagar,
Ghatkopar (E), Mumbai - 400075, Maharashtra, INDIA

Phone : +91 22 21027187 / 88 / 90

Cell : +91 7738251115 | +91 8291701064

Email : info@tataria.in | Web : www.tataria.in



www.tatariagroup.com

Follow us on:

